

**HYDRAULIC PRESS BRAKE
TYPE ZII
RG-125(RG-125 AUTO B/G)**

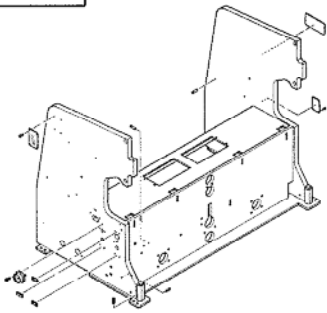
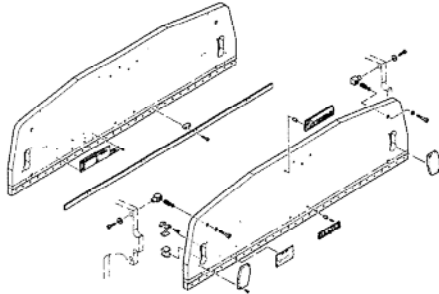
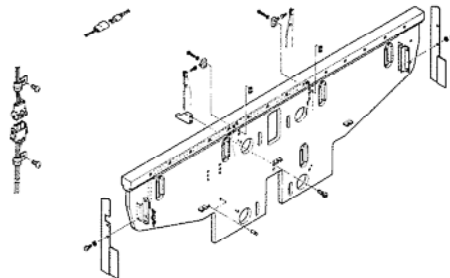
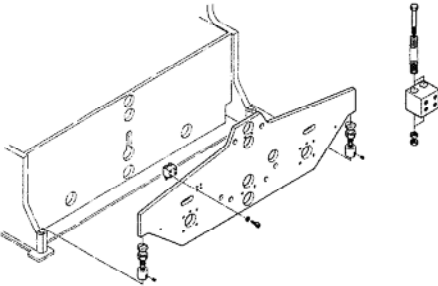
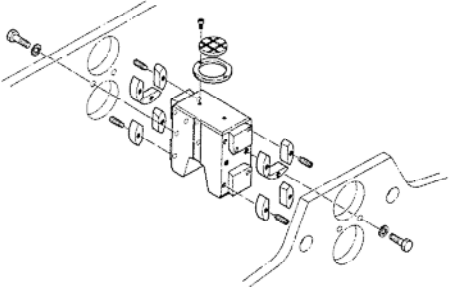
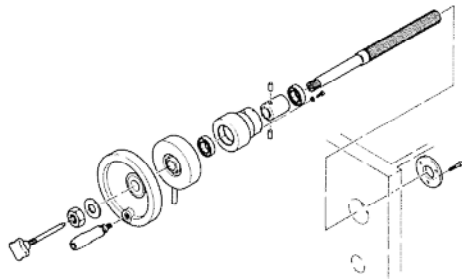
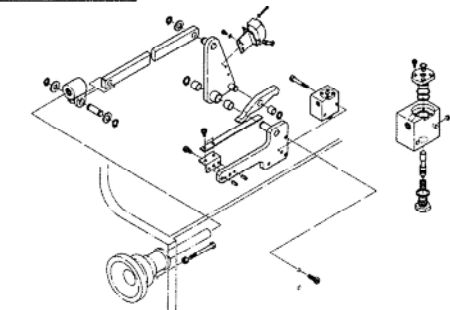
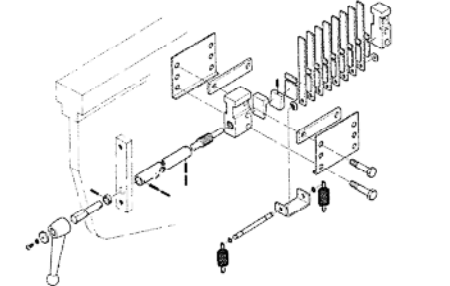
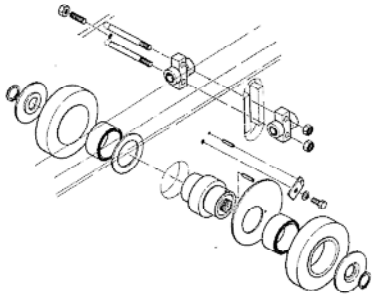
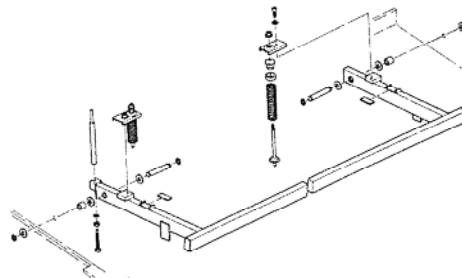
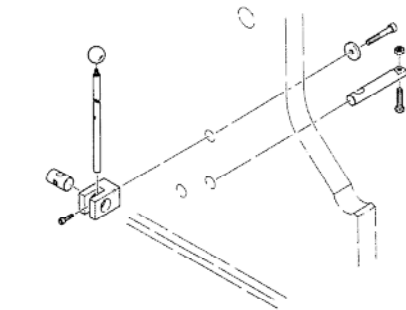
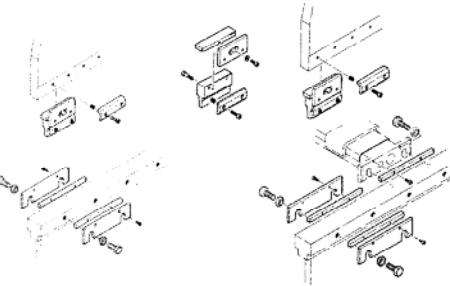


FEB. 1991

PARTS LIST

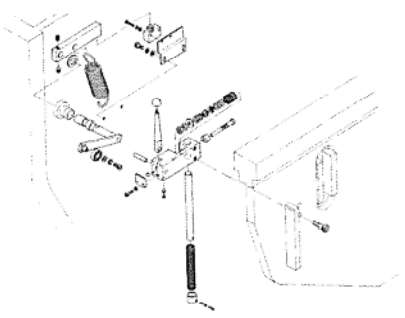
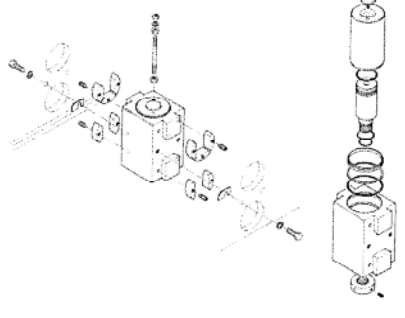
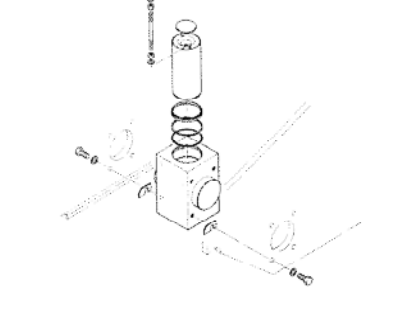
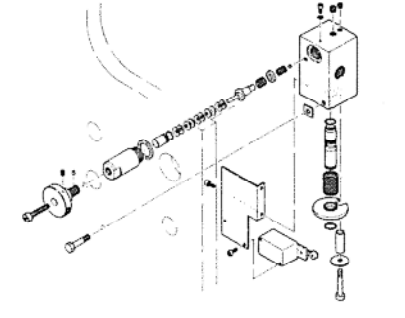
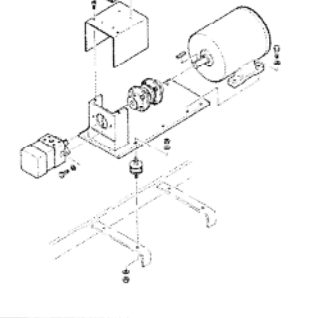
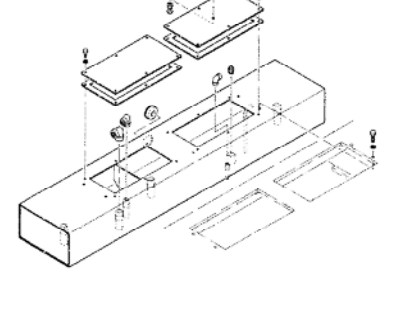
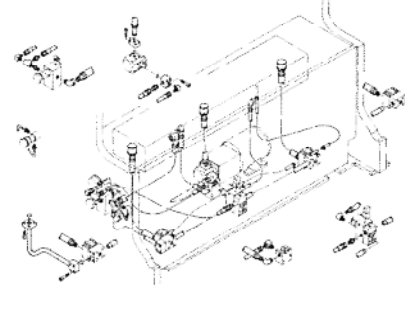
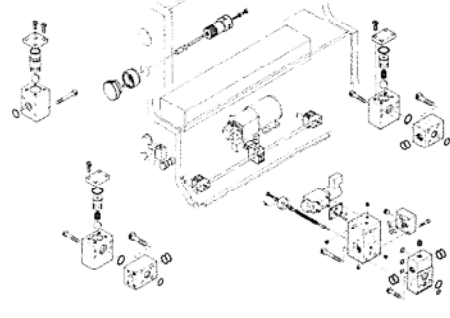
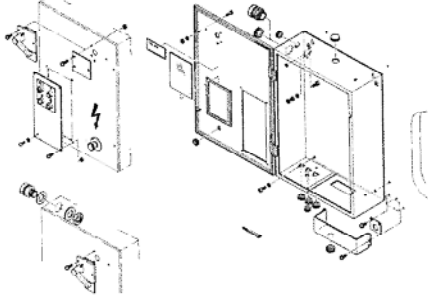
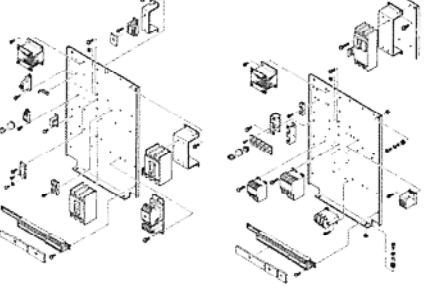
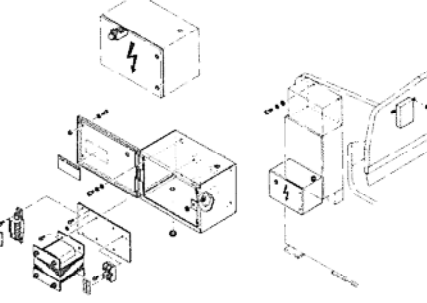
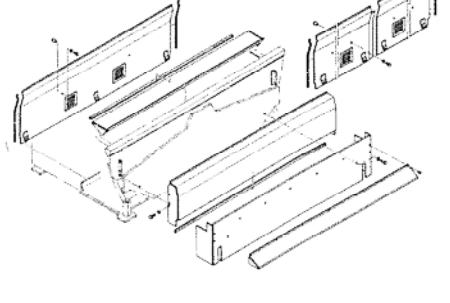


CONTENTS (1)

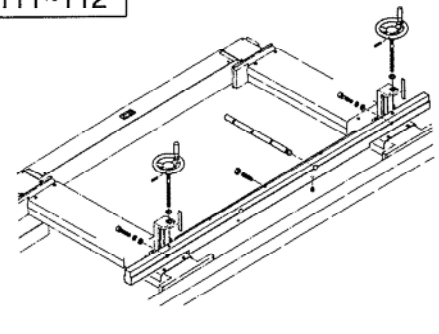
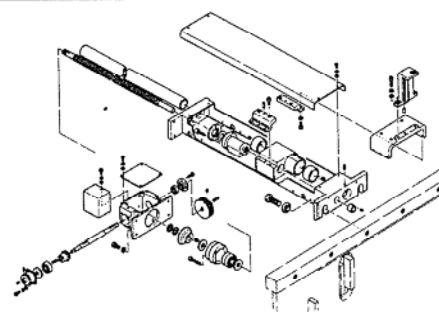
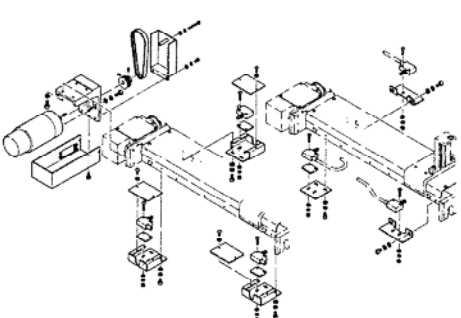
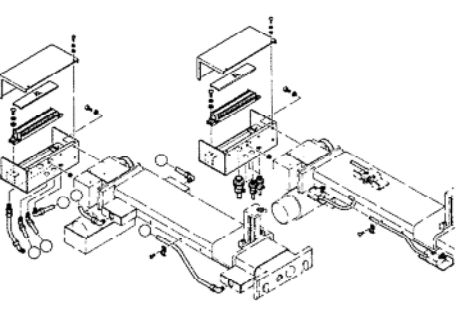
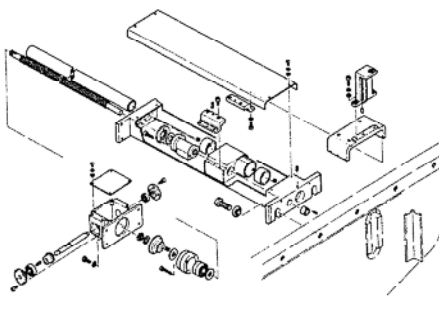
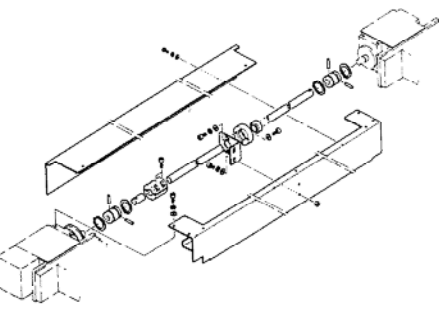
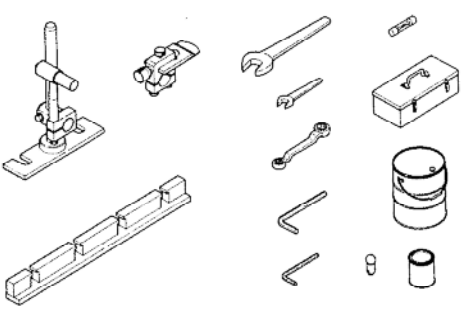
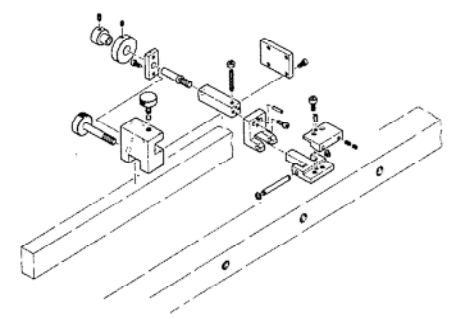
<p>01 Frame</p> <p>1~4</p> 	<p>02 Upper beam</p> <p>5~8</p> 	<p>03 Lower beam</p> <p>9~12</p> 	<p>04 Support plate</p> <p>13~14</p> 
<p>05 Upper post</p> <p>15~16</p> 	<p>06 Upper limit setting device (1)</p> <p>17~20</p> 	<p>07 Upper limit setting device (2)</p> <p>21~26</p> 	<p>08 Lower limit setting device</p> <p>27~30</p> 
<p>09 Guide roller</p> <p>31~32</p> 	<p>10 Pedal</p> <p>33~36</p> 	<p>11 Pedal lock device</p> <p>37~38</p> 	<p>12 Tool holder</p> <p>39~42</p> 



CONTENTS (2)

13 Speed change setting device	14 Main cylinder	15 Sub cylinder	16 Distributor
43~48	49~52	53~54	55~58
			
17 Pump unit	18 Hydraulic tank	19 Hydraulic piping	20 Hydraulic valve
59~62	63~64	65~70	71~80
			
21 Electric (1)	22 Electric (2)	23 Electric (3) - Backgauge	24 Cover
81~88	89~100	101~106	107~110
			

CONTENTS (3)

25 Backgauge (1)	26 Backgauge (2)	27 Backgauge (3)	28 Backgauge (4)
111~112	113~120	121~126	127~132
			
29 Backgauge (5)	30 Backgauge (6)	31 Standard accessories	32 Work stopper (1)
133~140	141~144	145~146	147~150
			
33 Work stopper (2)			
151~154			
