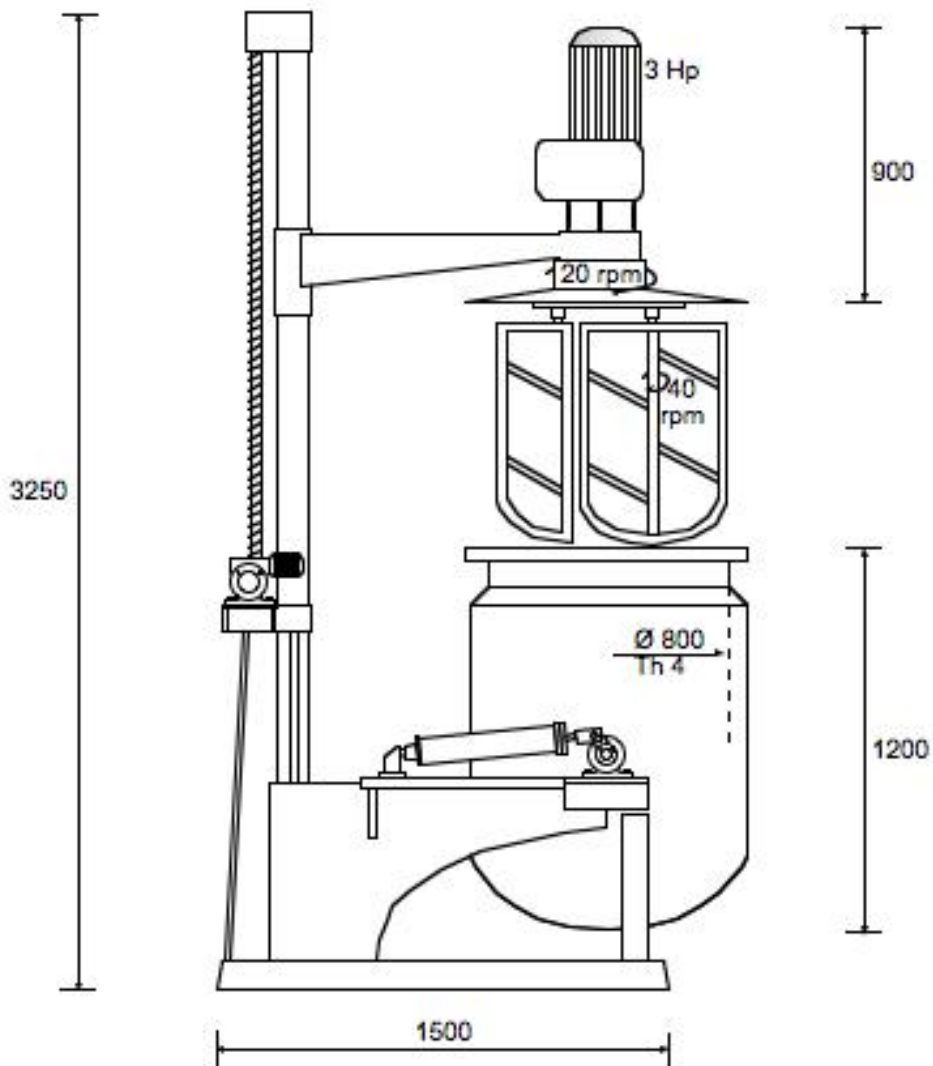


# COPRINOX

## AGITATED VESSEL

Code n° RAJC 005 0084

Location ref: 87 A5



<b>CAPACITY LITERS</b> _____ <b>500</b>	<b>SHELL SIDE</b>	<b>JACKET/COIL SIDE</b>	
Design Pressure KG/cm <sup>2</sup>	ATM	3	
Design Temperature °C		142	
Material	AISI 316	Carbon Steel	
ANCC or ISPESL certification: _____ <b>BG 26167</b>	<b>NOZZLE DIMENSIONS</b>		
Availability in stock n° _____ 01 _____ units	<b>Pos</b>	<b>Service</b>	<b>Size inch.</b>
<b>MANUFACTURER:</b> _____ <b>OLSA</b>	A		
<input checked="" type="checkbox"/> USED	B		
<input type="checkbox"/> USED RECONDITIONED	C		
<input type="checkbox"/> UNUSED	D		
<b>WEIGHT (approx) Kg</b> _____ <b>1000</b>	E		
	<b>NOTE</b>	_____	