

PAYLOAD: 200-700KG

M-900*i*A

THE M-900*i*A SERIES ROBOT IS ENGINEERED FOR PRECISE, VERY HIGH PAYLOAD/HIGH SPEED OPERATION, USER-FRIENDLY SETUP AND MAXIMUM RELIABILITY SUPPORTED BY OUR EXTENSIVE SERVICE AND PARTS NETWORK. THE M-900*i*A SERIES IS A SIX AXIS, ELECTRIC SERVO-DRIVEN FAMILY OF ROBOTS DESIGNED FOR A VARIETY OF MANUFACTURING AND SYSTEMS PROCESSES.

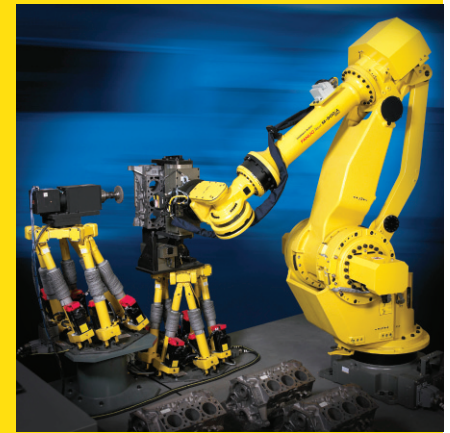


Five M-900*i*A models are available for a variety of applications:

- M-900*i*A/350 - standard reach, 350kg payload, floor, ceiling, or angle mount
- M-900*i*A/260L - long reach, 260kg payload, floor, ceiling, or angle mount
- M-900*i*A/600 - standard reach, 600kg (700kg option) payload, floor mount
- M-900*i*A/400L - long reach, 400kg payload, floor mount
- M-900*i*A/200P - long reach, 200kg payload, rack mount

FEATURES AND BENEFITS:

- "Best in class" wrist moments and inertia meet a variety of heavy handling challenges.
- Proven, reliable FANUC servo drives provide highest uptime and productivity.
- Stationary outer arm simplifies hose and cable dressout and prolongs service life.
- Slim arm and wrist assemblies minimize interference with system peripherals and allow operation in confined spaces.
- Rugged, IP67 rated wrist design performs reliably even in the harshest manufacturing environments.
- A camera for *i*RVision (built-in) can be integrated into the robot for vision guidance and error-proofing applications.
- Ceiling mount installation is possible on the M-900*i*A/350 & M-900*i*A/260L where space is a concern.
- Robust mechanical design reduces down time, increases mean time between failure (MTBF) and minimizes spare part requirements.
- Optional enhanced severe dust and liquid protection package with two-part epoxy paint for harsh environments.
- High inertia mode software allows handling of very large parts with minimal cycletime penalty.



Engine block handling and deflashing with Intelligent M-900*i*A/350 and F-200*i*B robots.



Door frame handling with M-900*i*A/350

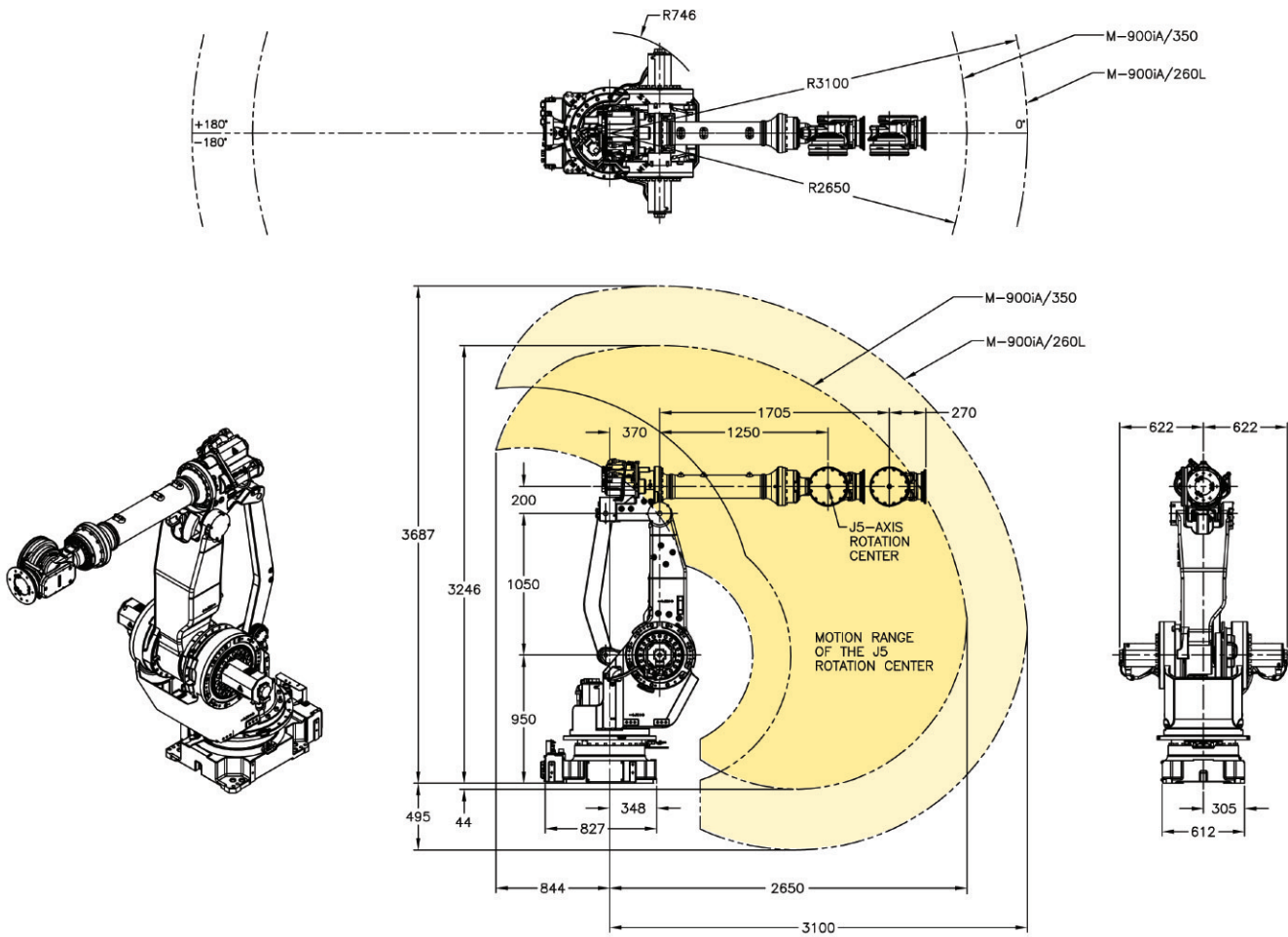


Sand core handling with M-900*i*A/600.

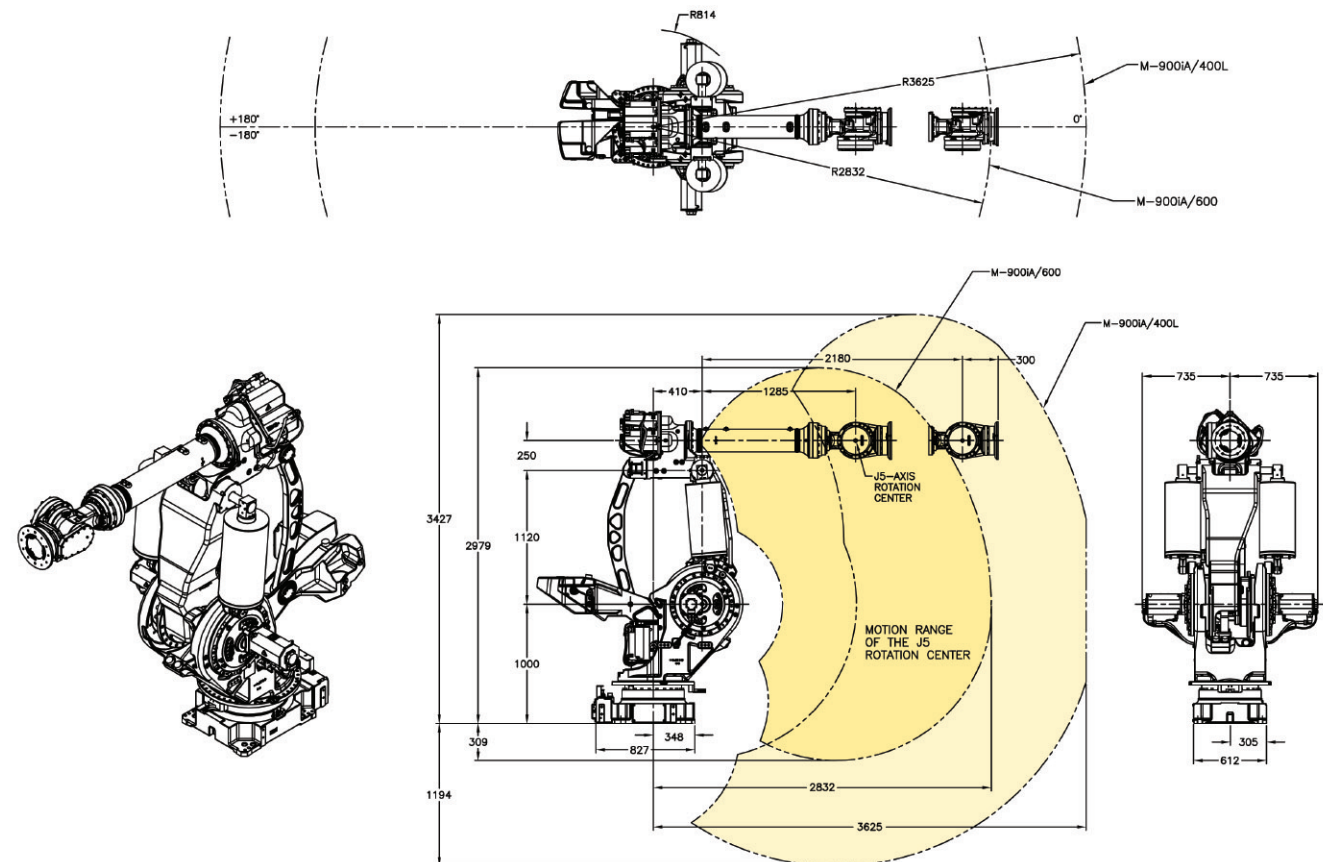
FANUC
Robotics

*i*ntelligent **ROBOT** solutions

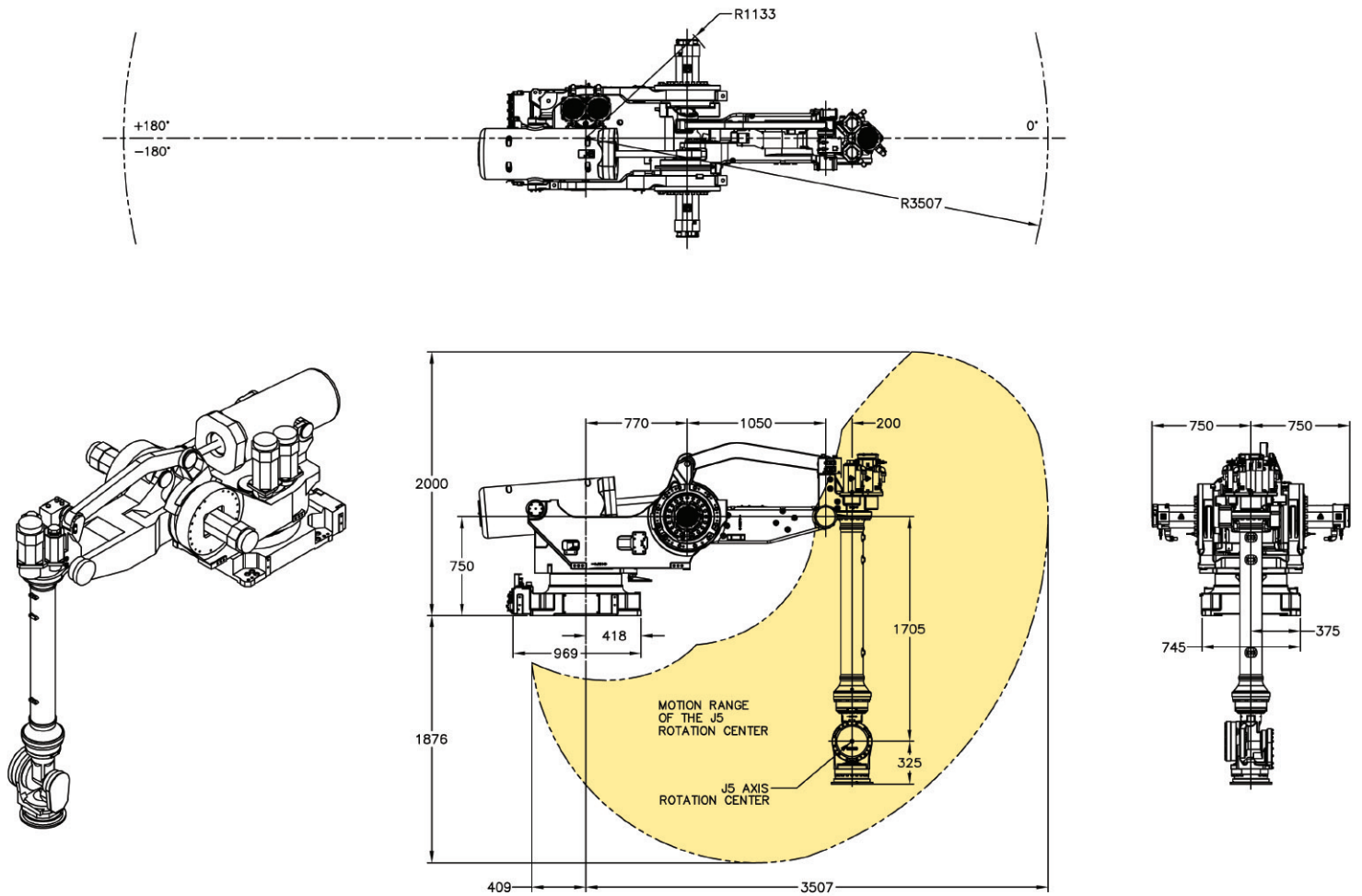
M-900iA/350 & M-900iA/260L DIMENSIONS:



M-900iA/600 & M-900iA/400L DIMENSIONS:



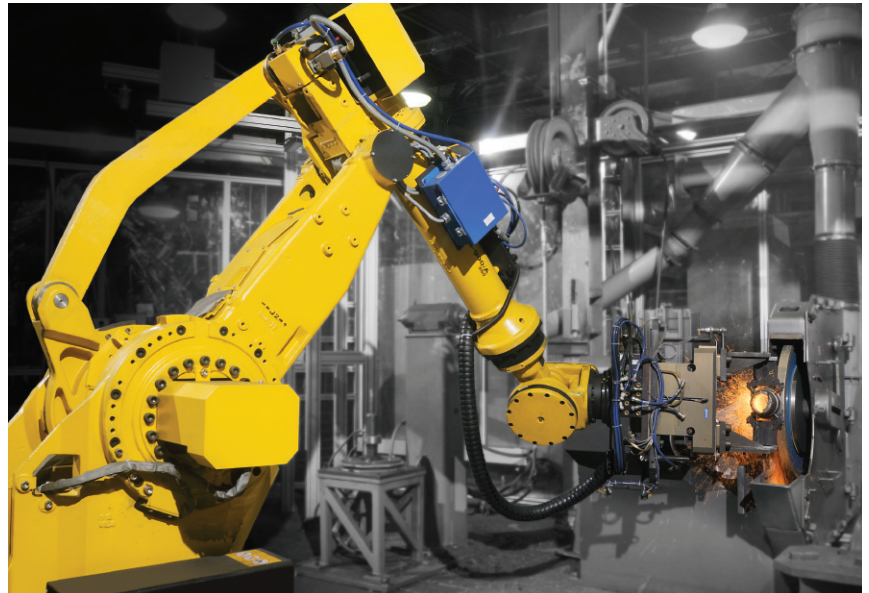
M-900*i*A/200P DIMENSIONS:



ADDITIONAL M-900*i*A APPLICATIONS:



Ceiling mounted M-900*i*A/350 unloading trucks.



M-900*i*A/350 grinding risers and heavy flash from ductile iron parts.

PAYLOAD: 200-700KG

M-900iA



M-900iA SERIES SPECIFICATIONS:

ITEMS	M900iA/350	M900iA/260L	M900iA/600	M900iA/400L	M900iA/200P
Axes	6	6	6	6	6
Payload - wrist (kg)	350	260	600 (std) / 700 (option)	400	200
-J3 Arm (kg)	25	25	25	25	25 (3)
-J2 Base (kg)	550	550	550	550	-
Reach (mm)	2650	3100	2832	3625 (4)	3507
Repeatability (mm)	±0.3	±0.3	±0.3	±0.5	±0.3
Interference Radius (mm)	746	746	814	980	1133
Motion range (degrees)	J1: 360 J2: 150 J3: 223 J4: 720 J5: 250 J6: 720	360 150 211 720 250 720	360 154 160 720 244 720	360 154 160 720 244 720	360 180 180 720 230 720
Motion Speed (degrees/sec.)	J1: 100 J2: 95 J3: 95 J4: 105 J5: 105 J6: 170	100 105 95 120 120 200	80 80 80 100 100 160	80 80 80 100 100 160	110 95 95 95 95 165
Wrist Moment N*m(kgf*m)	J4: 1960 (200) J5: 1960 (200) J6: 892 (91)	1666 (170) 1666 (170) 715 (73)	3381 (345) 3381 (345) 1725 (176)	2744 (280) 2744 (280) 1725 (176)	2200 (224) 2200 (224) 715 (73)
Wrist Inertia(1) kg*m ²	J4: 235 / 392 J5: 235 / 392 J6: 156 / 352	188 / 313 188 / 313 117 / 225	510 / 1097 510 / 1097 320 / 444	510 / 1097 510 / 1097 320 / 444	431 431 392
Mechanical brakes	All Axes	All Axes	All Axes	All Axes	All Axes
Mechanical weight (kg) (5)	1720	1800	2800	3150	2670
Mounting Method (2)	Floor, ceiling & angle	Floor, ceiling & angle	Floor	Floor	Rack
Installation Environment					
Ambient temperature °C	0 to 45				
Humidity	Normally: 75% or less Short term (within a month): 95% or less No condensation (No dew or frost allowed)				
Vibration (m/s ²)	0.5G or less				
IP Rating	Wrist & J3 arm IP67, driving unit of the body IP66, main body IP54 (IP56 optional)				Wrist & J3 arm IP67, rest IP54

Notes:

- (1) Allowable load inertia at wrist can be switched by software parameters; acc/dec are slightly longer but all other specifications are unchanged.
- (2) Motion range will be derated for angle mount.
- (3) For M-900iA/200P Robot, wrist load + J3 arm load cannot exceed 200kg.
- (4) When the reach is between 3136mm and 3350, CG of the workpiece should be within 30 degrees from the wrist downward direction. When the reach is over 3350mm, CG of the workpiece should be downward from the wrist.
- (5) Without controller



FANUC ROBOTICS AMERICA
3900 WEST HAMLIN ROAD
ROCHESTER HILLS MI 48309-3253



MARKETING@FANUCROBOTICS.COM

FANUCROBOTICS.COM

1-800-iQ-ROBOT