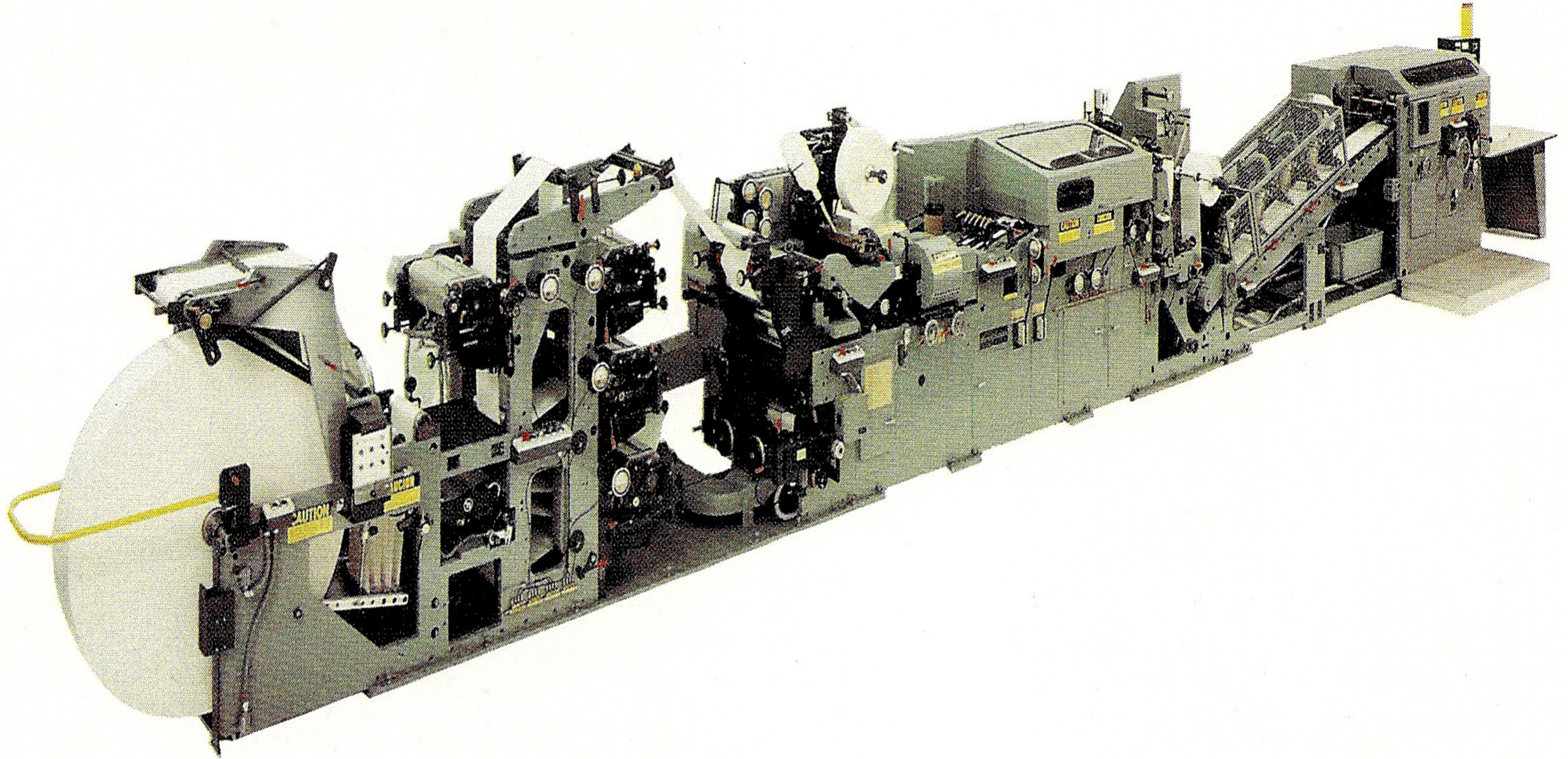




ROLLAMATIC High Spid Web Machine

F. L. Smithe **RO**





ROLLAMATIC High Spid Web Machine

F. L. Smithe **RO**

The Champion ROLLAMATIC, F.L. Smithe machine model “RO”, is a high speed web machine which produces side seam - booklet (wallet) style envelopes, plain or window, with one to six color printing and in a wide range of sizes at speeds up to 1000 EPM.

It is a completely modern, simple, and compact machine designed with the machine adjuster in mind. Expensive change parts and time consuming operations usually associated with size changing a web machine have been either simplified or eliminated. Once a size change is entered, fine-tuning adjustments can be performed while the machine is running, assuring the highest quality production with minimal down time.

From the web roll to delivery table, the ROLLAMATIC, model “RO”, can meet or exceed the production demands put upon it, as indicated by its “size range” (enclosed).

Standard features which contribute to the versatility of the ROLLAMATIC “RO” machine include:

- Quick roll change by use of an auto lift loader.
- Quality color flexographic printing, with the use of two outside and one inside printing stations.
- A panel cutting (window) station, which supports the wide range of possible sizes.
- The high speed patching unit to compliment any envelope produced with a window.
- Electronic web guiding for exact web positioning.

Optional attachments to further enhance the production of the RO machine may include:

Two-color web tinting, by adding the “Tint-A-Web” unit to the printing tower, will enable either side or both sides of the web to be tinted (colored).

Two additional flexographic outside printers and one inside printer may be added to the printer tower to bring the total color printing possibilities to six.

Improved printing can be attained through the use of the Doctor Blade ink metering system, which is available for both inside or outside printer stations.

The Time Seal gumbox unit will enable Time Seal, Latex, or the “Peel-n-Stick” strip type application, as a replacement for the standard seal flap gumming.

An open end attachment; a rotary and anvil type cutting station to replace the existing fly knife station, creates deeper cuts necessary to produce open end (pocket) center seam or side seam envelopes.

The double outside side seam (D.O.S.S.) unit will produce that style of envelope plus other specialty styles.

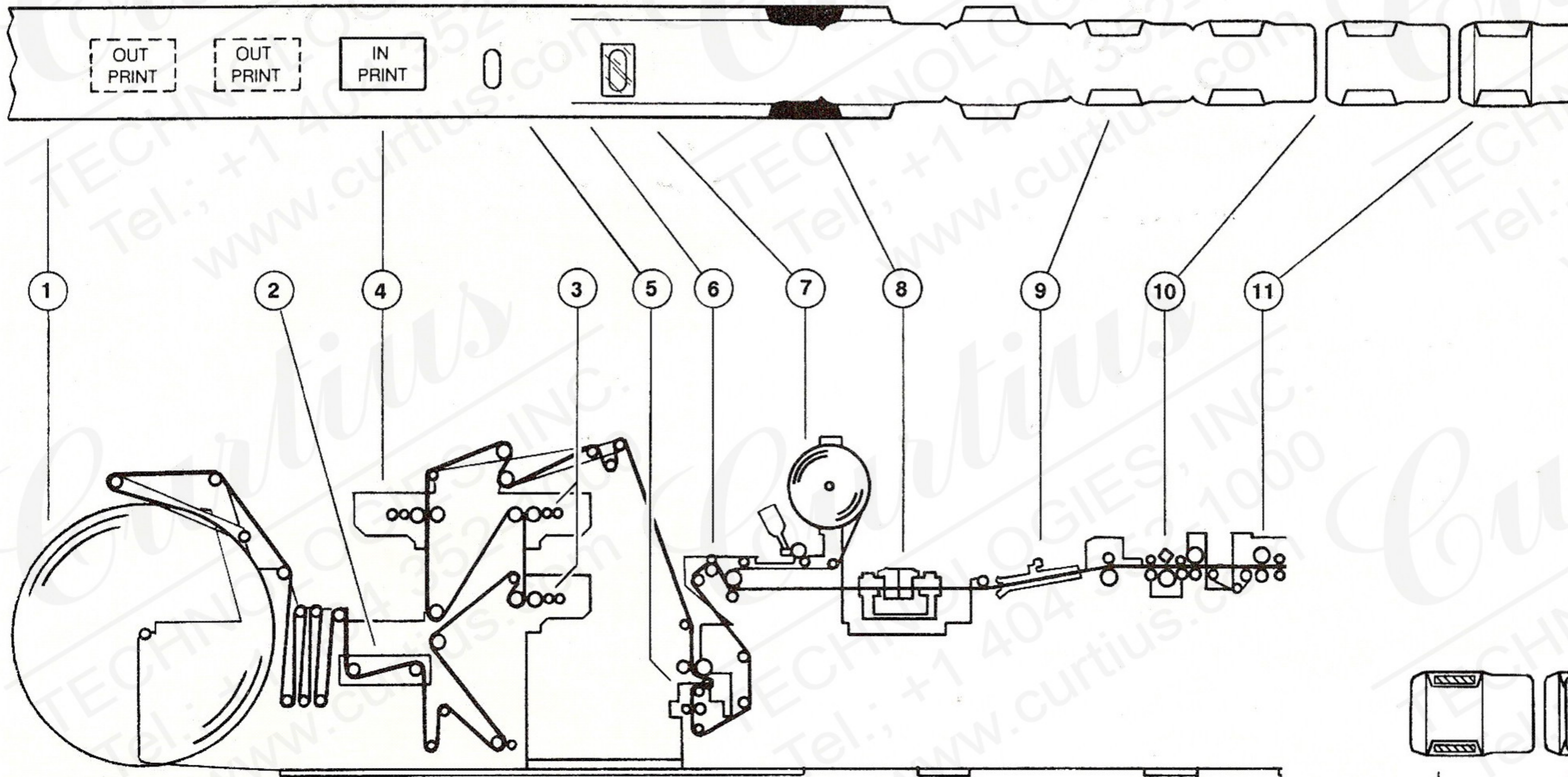
A second patching unit can be added after the high speed patcher.





ROLLAMATIC High Spid Web Machine

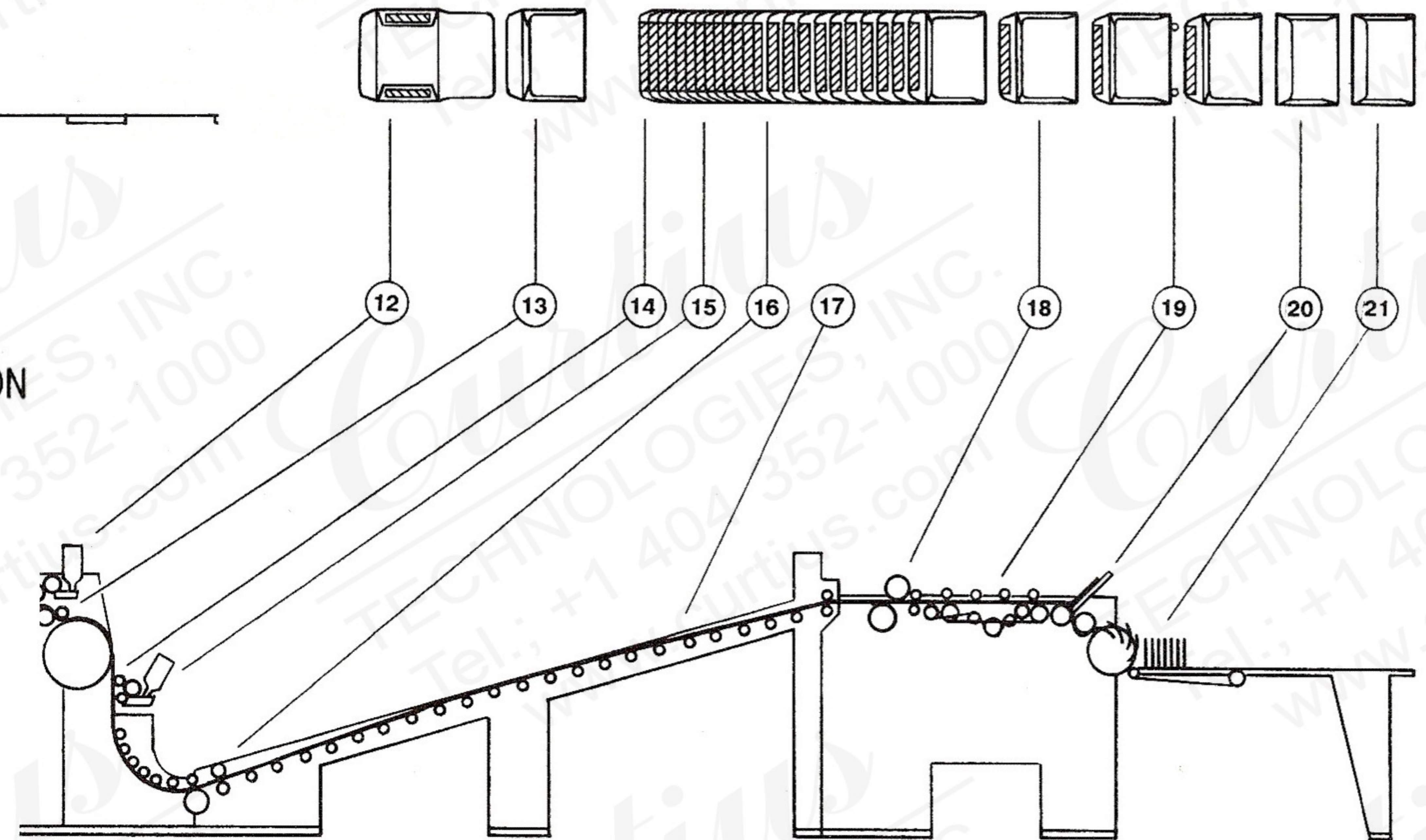
F. L. Smithe **RO**



FEATURES:

1. ROLL UNWIND
2. WEB ALIGNMENT SYSTEM
3. OUTSIDE FLEXOGRAPHIC PRINTERS
4. INSIDE FLEXOGRAPHIC PRINTER
5. WINDOW CUTTER
6. SIDE SCORER
7. H.S.P. WINDOW UNIT

- | | |
|-------------------------|------------------------------|
| 8. SIDE CUTTERS | 15. SEAL FLAP ADHESIVE |
| 9. SIDE FLAP FOLDER | 16. SEAL ADHESIVE SEPARATION |
| 10. CUT-OFF | 17. SEAL ADHESIVE DRYER |
| 11. TOP & BOTTOM SCORER | 18. PULL-OUT |
| 12. SIDE SEAM ADHESIVE | 19. ALIGNER |
| 13. BOTTOM FLAP FOLDER | 20. SEAL FLAP FOLDER |
| 14. COLLATOR | 21. DELIVERY |



MACHINE LENGTH:

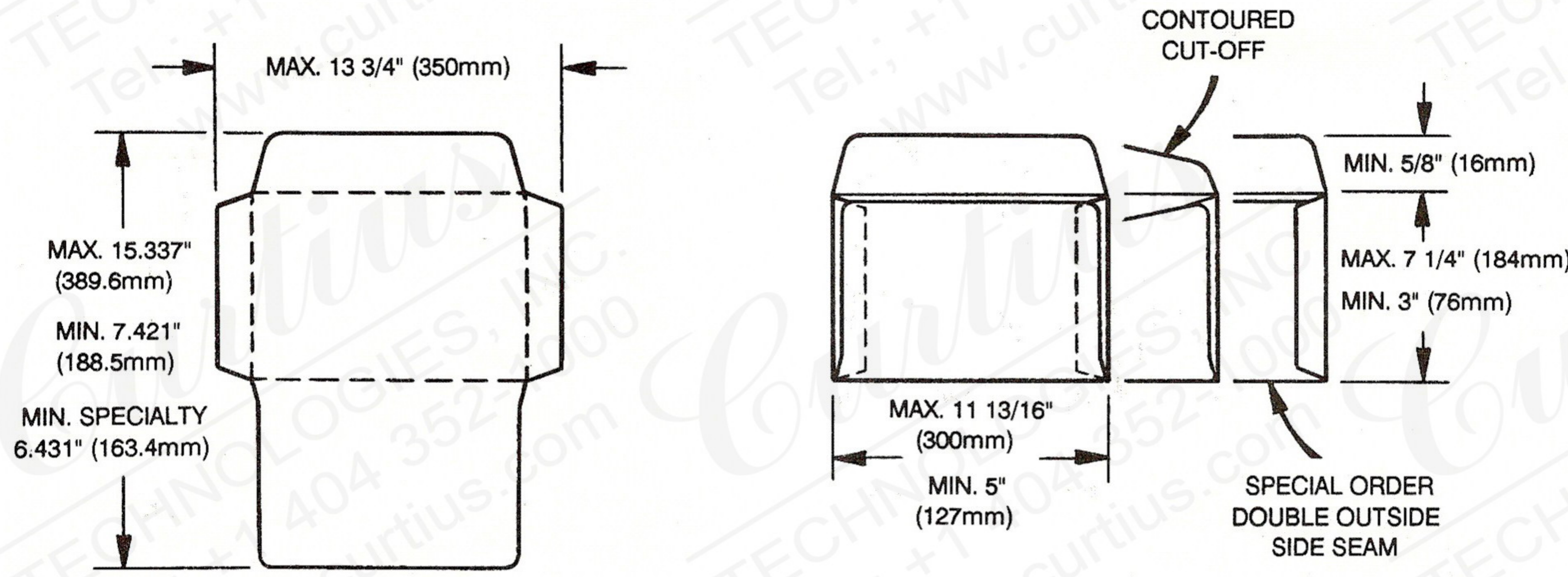
50' 5" (15,4m)





ROLLAMATIC High Spid Web Machine

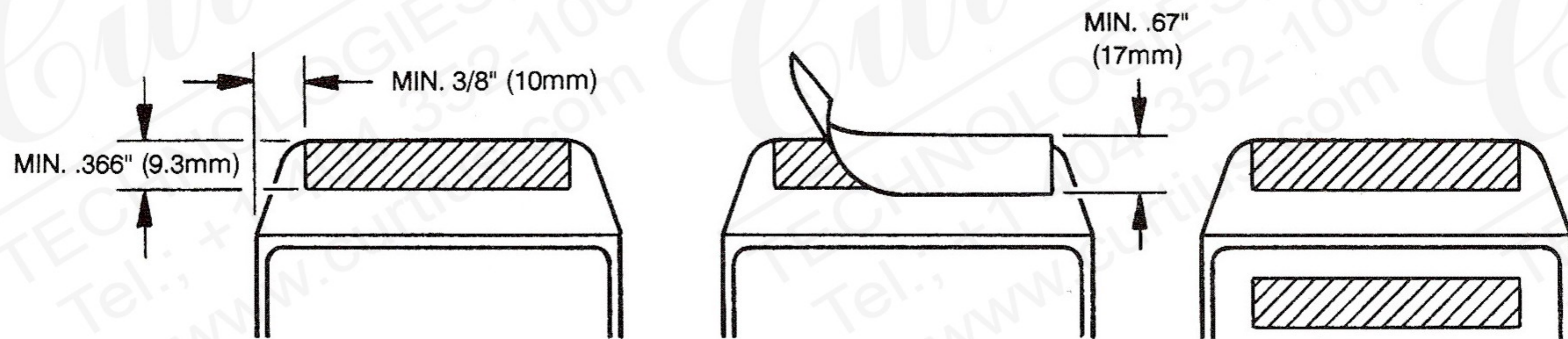
F. L. Smithe **RO**



RO: BOOKLET ENVELOPE RANGE

“RO” SPECIFICATIONS

- Envelope Range:** 3" x 5" to 7 1/4" x 11-13/16"
(76 x 127mm to 184 x 300mm)
- Max. Printing Width:** 13-3/4" (350mm)
- Max. Patch Size:** 5 3/4"lg. x 11 1/2" wide
(146 x 292mm)
- Min. Patch Size:** 1 1/2"lg. x 2" wide
(38 x 51mm)
- Max. Web Width:** 13-3/4" (350mm)
- Max. Roll Dia.:** 62" (1,58m)
- Machine Height:** 6' 3" (1,91m)
- Envelope Output:** Up to 1000 EPM



**SEAL
ADHESIVE**

**PEEL & STICK
ATTACHMENT**

**LATEX
ATTACHMENT**

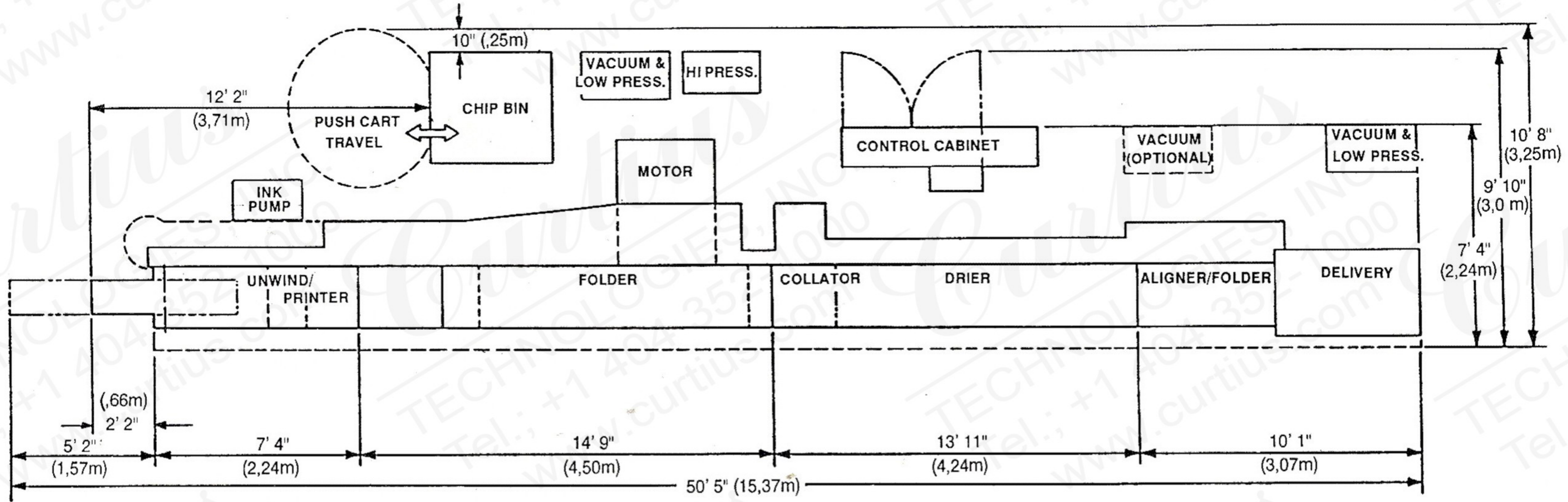




ROLLAMATIC High Spid Web Machine

F. L. Smithe **RO**

FLOOR PLAN - RO with STRAIGHT LINE DRYER



ELECTRICAL SPECIFICATIONS WITHOUT VACUUM & PRESSURE PUMPS							
RO Basic	TOTAL CONNECTED LOAD - AMPS						
	3Ø -60 Hz				3Ø -50 Hz		
	208 V	230 V	460 V	575 V	380 V	415 V	440 V
	238	233	142	128	143	142	142

REQUIREMENTS FOR PRESSURE & VACUUM - FREE AIR				
RO Basic	PRESSURE		VACUUM	
	30 P.S.I = 2 ATM. CFM	m ³ /hr.	15" Hg. = .5 ATM. CFM	m ³ /hr.
	30	51	420	714

NET WEIGHT OF BASIC "RO" MACHINE	
APPROX. TOTAL NET WEIGHT	
LBS.	Kg.
30,550	13,857

