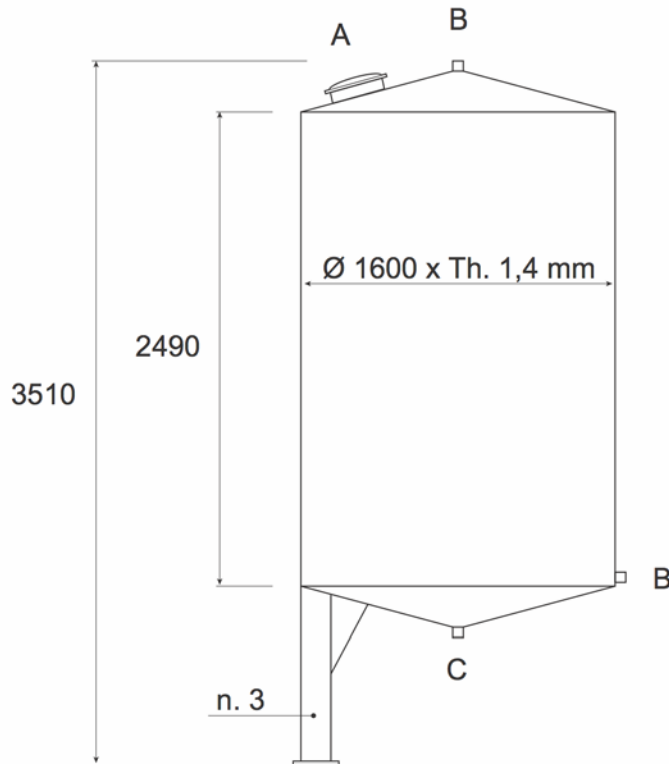


COPRINOX

VESSEL

Code n° **VV 050 1519**

Location ref: 16 C4

CAPACITY LITERS **5.000**

SHELL SIDE

JACKET/COIL SIDE

Design Pressure KG/cm²
Design Temperature °C
Material

AISI 304

ANCC or ISPESL certification: NOT
Availability in stock n° 01 units

NOZZLE DIMENSIONS

MANUFACTURER _____

Pos	Service	Size inch.
A	Man hole	16"
B		2"
C	Product discharge	2"
D		
E		

- USED
 USED RECONDITIONED
 UNUSED

NOTE _____

WEIGHT (approx) Kg _____