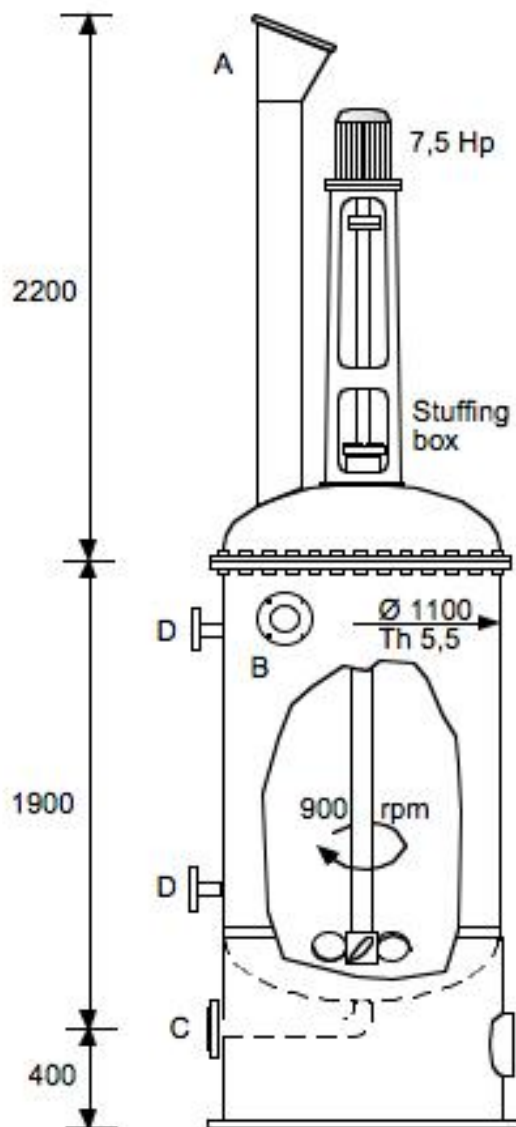


COPRINOX

AGITATED VESSEL

Code n° **RA 016 0435**

Location ref: 90 A3

CAPACITY LITERS 1.600

SHELL SIDE

JACKET/COIL SIDE

Design Pressure KG/cm2
Design Temperature °C
Material

AISI 316

ANCC or ISPESL certification: NOT
Availability in stock n° 01 units

NOZZLE DIMENSIONS

MANUFACTURER: L.T.I USED
 USED RECONDITIONED
 UNUSED

Pos	Service	Size inch.
A	Product inlet	6"x8"
B	Overflow	2"
C	Product outlet	1"1/2
D	Level nozzle	3/4"
E		

WEIGHT (approx) Kg 900

NOTE