

Technical information

SUPER 1000(i)



Tracked paver SUPER 1000(i)

Compact Class

TECHNICAL HIGHLIGHTS

- > Maximum pave width 3.9 m
- > Maximum laydown rate 270 t/h
- > Transport width 1.85 m
- > Engine output: 55.4 kW at 2,000 rpm

SUPER 1000(i) - powerful, economical and quiet

The SUPER 1000(i) is a particularly compact paver which is extremely cost-efficient in every respect.

The SUPER 1000(i) can be combined with the AB 340 Extending Screed in the versions with vibrators (V) or with tamper and vibrators (TV). Thanks to its range of pave widths extending from 0.75 m to 3.9 m, the paver is ideally suited to the construction or rehabilitation of combined footpaths and cycle paths, farm tracks, minor roads and small areas.

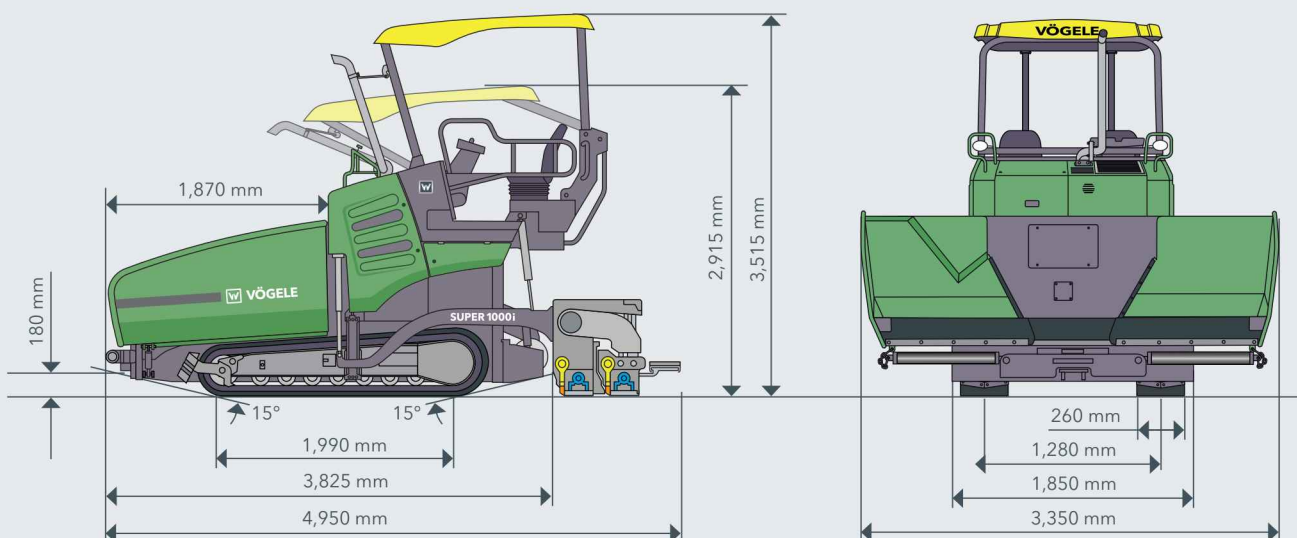


TECHNICAL DATA	SUPER 1000i	SUPER 1000
Power unit		
	for EU/EFTA countries/USA/Canada	for all other countries
Engine	liquid-cooled 4-cylinder diesel engine	
> Version	Deutz	
> Manufacturer	TCD 3.6 L4	
> Type		
Output		
> Nominal	55.4 kW at 2,000 rpm	
> ECO mode	55.4 kW at 1,600 rpm	
Emissions information		
> Exhaust emissions standards	EU Stage V, US EPA Tier 4f	EU Stage 3a, US EPA Tier 3
> Exhaust gas after-treatment	DOC, DPF	
> Guaranteed sound power level	L _{WA} = 104 dB(A) (2000/14/EG, EN ISO 3744; EN 500-6)	
> Sound pressure level at the operator's stations	L _{PA} ≤ 80 dB(A) (EN ISO 11201; EN 500-6)	
Fuel tank	110 litres	
Undercarriage		
Crawler tracks		
> Version	with rubber pads	
> Ground contact	1,990 x 260 mm	
> Track tension adjuster	spring assembly	
> Lubrication of track rollers	lifetime	
Traction drive		
> Version	separate hydraulic drive and electronic control provided for each crawler track	
Speeds		
> Paving	up to 18 m/min., infinitely variable	
> Travel	up to 4.5 km/h, infinitely variable	
Material hopper		
Hopper capacity	10 t	
Width	3,350 mm	
Feed height	580 mm (bottom of material hopper)	
Push-rollers		
> Standard	oscillating	
Position	can be displaced by 80 mm	

Conveyors and augers	
Conveyors	
> Version	2, with replaceable feeder bars, conveyor movement reversible for a short time
> Drive	separate hydraulic drive provided for each conveyor
> Speed	up to 21 m/min., infinitely variable (manual or automatic)
Augers	
> Version	2, with replaceable auger blades, auger rotation reversible
> Diameter	300 mm
> Drive	separate hydraulic drive provided for each auger
> Speed	up to 85 rpm, infinitely variable (manual or automatic)
Auger height	
> Standard	infinitely variable by 13 cm, mechanical
> Option	infinitely variable by 13 cm, hydraulic
Screed	
	AB 340
Basic width	1.8 m to 3.4 m
Maximum width	3.9 m
Min. pave width with system for pave width reduction	0.75 m
Reduction in width	by cut-off shoes 2 x 52.5 cm
Compacting systems	V, TV
Layer thickness	up to 15 cm
Screed heating	
> Version	electric by heating rods
> Power supply	three-phase AC generator
Dimensions (transport) and weights	
Length	
> Version	tractor unit with screed
> AB 340	4.95 m
Weights	
> Version	tractor unit with screed
> AB 340 V	pave widths up to 3.9 m: 10,050 kg
> AB 340 TV	pave widths up to 3.9 m: 10,250 kg

Key: DOC = Diesel Oxidation Catalyst, DPF = Diesel Particulate Filter, AB = Extending Screed, V = with vibrators, TV = with tamper and vibrators

SIDE AND FRONT VIEW



THE HIGHLIGHTS OF THE SUPER 1000(i)

- > Large range of applications for pave widths up to 3.9 m
- > Powerful and economical drive concept with a modern 55.4 kW diesel engine
- > Large material hopper with a capacity of 10 tonnes ensures optimum feeding with mix
- > ErgoBasic operating system with numerous convenient and automatic functions
- > Niveltronic Basic Automated Grade and Slope Control
- > Can be combined with the AB 340 Extending Screed in the V and TV versions

FEATURES	SUPER 1000i	SUPER 1000
> Powerful three-phase AC generator with generator management	■	■
> Electronic engine management with ECO mode and controlled fan drive	■	■
> Wide push-rollers can be displaced forwards by 80 mm	■	■
> Manual hopper front	■	■
> Auger height adjustment, manual	■	■
> Auger height adjustment, hydraulic	□	□
> Working lights, halogen	■	■
> Working lights for auger tunnel	□	□
> Simple, ergonomic ErgoBasic operating concept	■	■
> VÖGELE-design hardtop	□	□
> Sonic sensor to control augers	■	■
> Niveltronic Basic System for Automated Grade and Slope Control	□	□
> Variety of grade and slope control sensors	□	□
> Cleaning agent tank and spray bottle	□	□

This list is just an extract of the scope of supply.
Standard features and options may differ by sales region.

■ Standard feature □ Option

JOSEPH VÖGELE AG

Joseph-Vögele-Str. 1
67075 Ludwigshafen
Germany

T: +49 621 8105-0
F: +49 621 8105-461
M: marketing@voegele.info

➤ www.voegele.info

