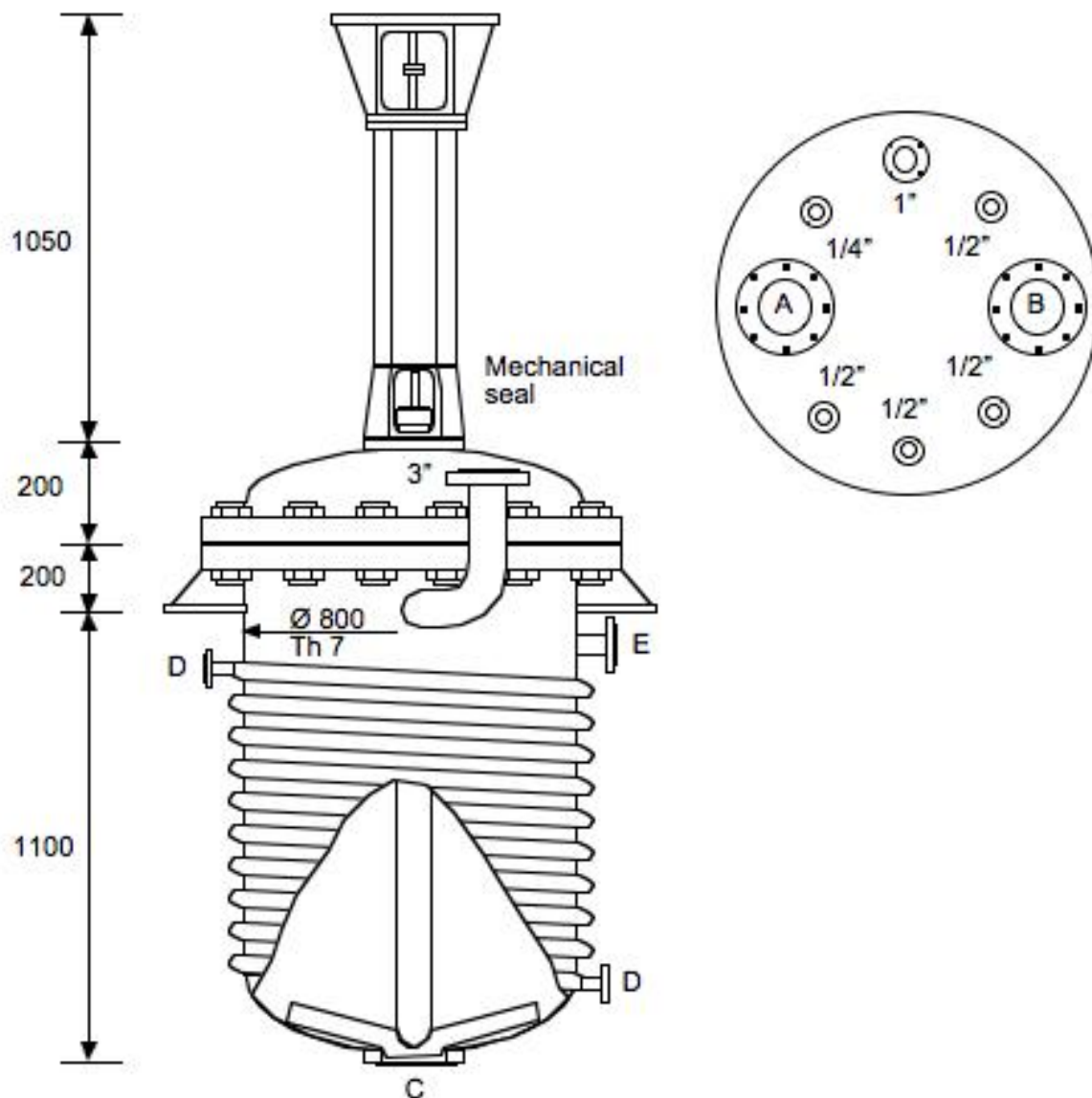


COPRINOX

AGITATED VESSEL

Code n° **RAS 006 0537**

Location ref: 91 C2

CAPACITY LITERS **650**

SHELL SIDE

JACKET/COIL SIDE

Design Pressure KG/cm²
Design Temperature °C
Material

AISI 316

AISI 304

ANCC or ISPESL certification: **NOT**
Availability in stock n° **01** units

NOZZLE DIMENSIONS

Pos	Service	Size inch.
A	Product inlet	6"
B	Vapours outlet	6"
C	Product outlet	4"
D	Heating medium in-out	1"
E	Service	1"1/2

MANUFACTURER: _____

 USED
 USED RECONDITIONED
 UNUSED**NOTE** Without El. motorWEIGHT (approx) Kg **1050**