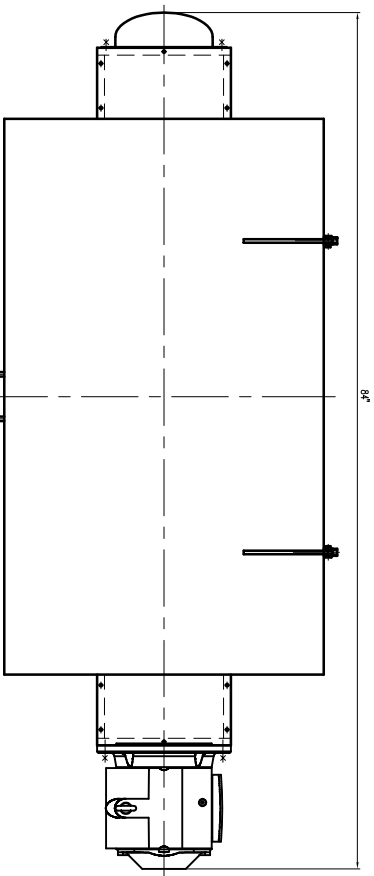
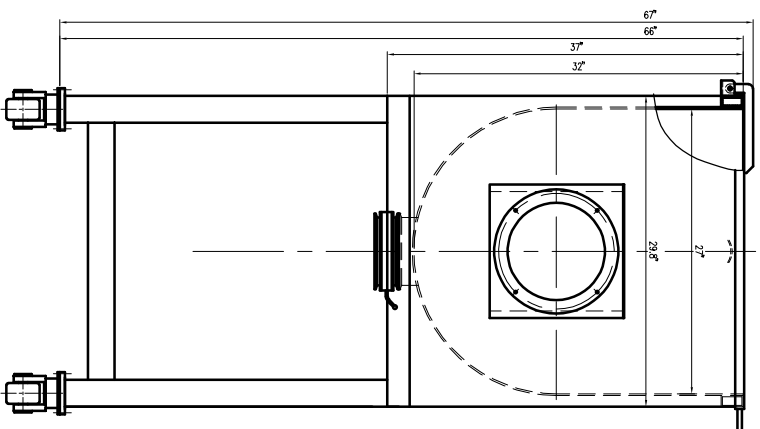
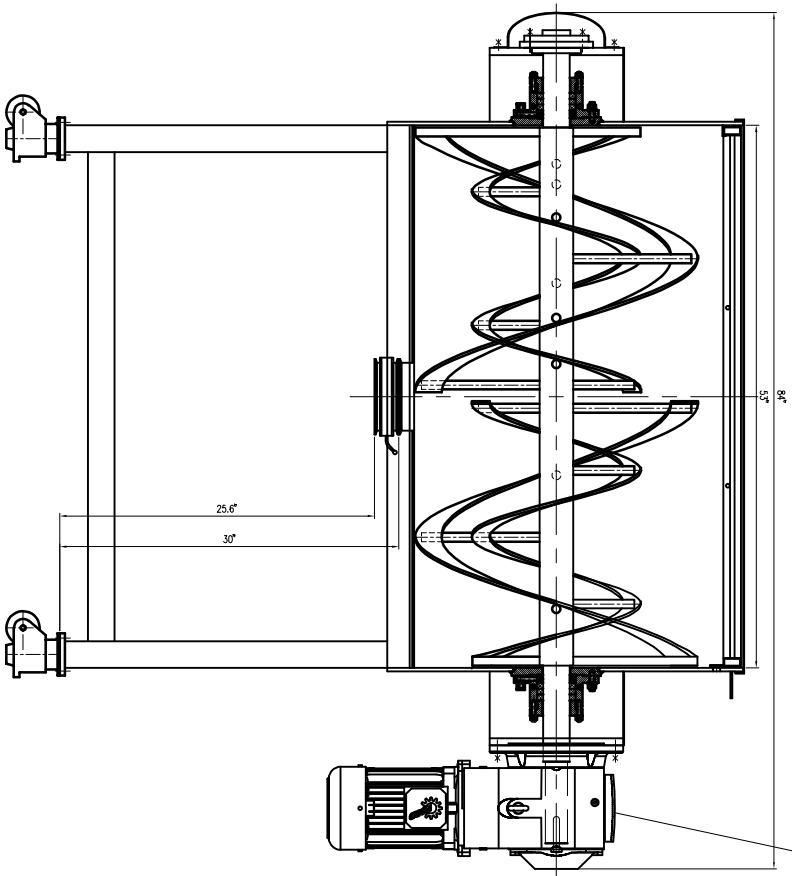


12HP 36RPM 230/460V 3P 60HZ



NOZZLE SCHEDULE

MARK	NOMINAL SIZE	QTY.	CONNECTING SIZE AND STANDARD	FACE	SERVICE	REMARKS
N1	6"	1	3A	T.C.	OUTLET	
3						
2						
1						

REV. NO.	DESCRIPTION	PREPARED BY	CHECKED BY	APPROVED BY	DATE

		SHANXI HONGDA INDUSTRY CO., LTD		PROCESS STAGE	
PREPARED BY CHECKED BY APPROVED BY	20 CF DOUBLE RIBBON BLENDER	DRAWING NO. HD20C-016-00	PROJECT NUMBER	REV. 1	TOTAL: 1 PAGE: 1

A B C D E F G H

1 2 3 4 5 6 7 8 9 10 11 12