

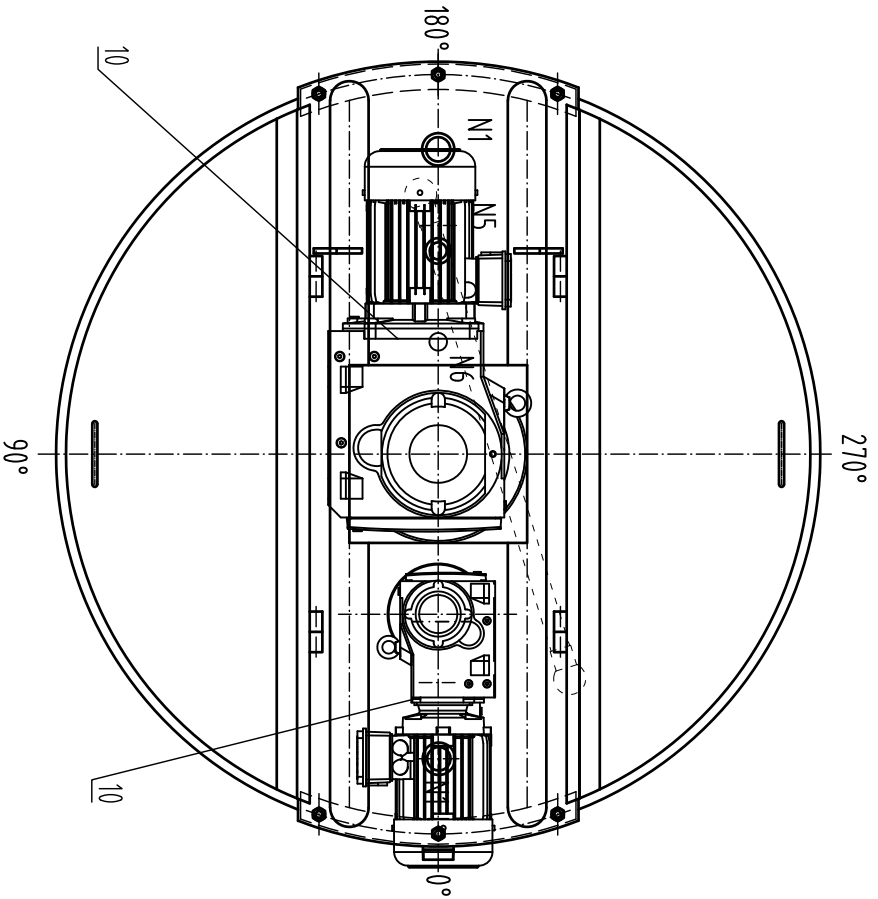
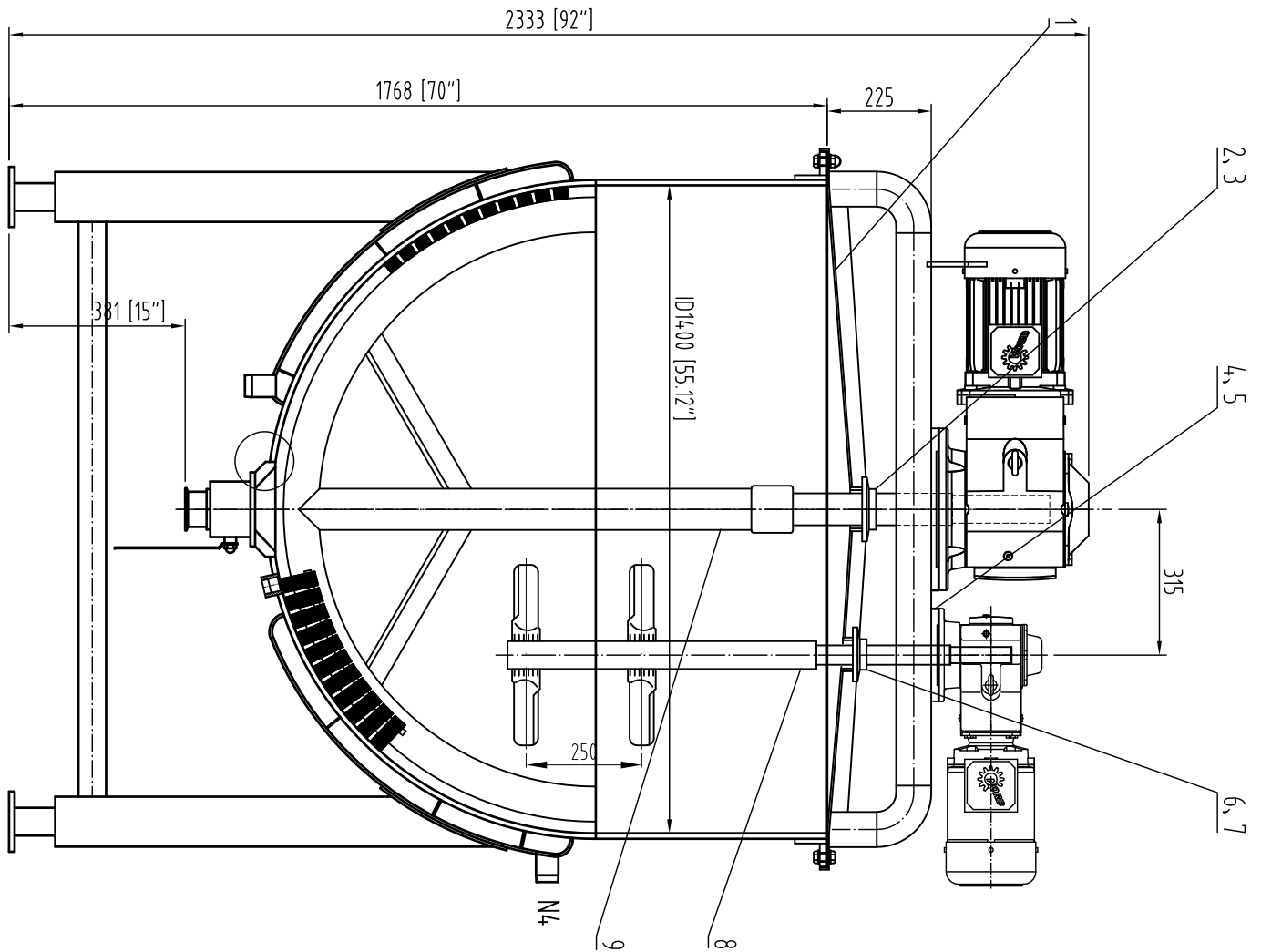
DESIGN DATA SHEET 设计数据表

CODE ASME BPVC SECTION VIII DIVISION I 2021 EDITION
 标准 ASME-<锅炉压力容器规范-第VIII卷第一分卷-2021版>

FLUID	STEAM	JACKET	ASME STAMP	YES WITH DESIGNATOR FOR JACKET ONLY
FLUID PERFORMANCE	Non lethal	WELDING ROD TYPE	AS PER WPS	
WORKING TEMPERATURE	320	WELDING REGULATION	AS PER WPS	NOTE 2
WORKING PRESSURE	0	WELD STRUCTURE	AS PER WPS	
DESIGN TEMPERATURE	330	WELDING TEST TEMPERATURE	41-108	
WGT	-4	WELDING JOINT CATEGORY	AS PER WPS	
DESIGN PRESSURE	0	NODE	AS PER WPS	
WGT	0	CD	AS PER WPS	
CORROSION ALLOWANCE	0	TOTAL CAPACITY	392	
IMPACT TEST	0.85/0.85	HEAT TREATMENT	AS PER WPS	
GAS LEAKAGE TEST PRESSURE	119	NET MASS FOR EQUIP	3033	
NOZZLE ORIENTATION	AS PER THIS DRAWING	OPERATING MASS	AS PER WPS	
WATER FOR MIN PRESSURE PARTS	SA-240 30L SA-240 30L	FILL WATER MASS	AS PER WPS	
FILL COEFFICIENT	SA-312 TP304	INSULATION THICKNESS	AS PER WPS	

NOZZLE SCHEDULE 管口表

MARK	NOMINAL SIZE	QTY	CONNECTING SIZE AND STANDARD	FACE	SERVICE	REMARKS
N1	2"	1	3A	TC	FEED INLET	
N2	3"	1	FLAT	TC	OUTLET	
N3	15"	1	ASME B1.20.1-2013	NPT	STEAM OUTLET	
N4	15"	1	ASME B1.20.1-2013	NPT	STEAM INLET	
N5	15"	2	3A	TC	CLIP	
N6	2"	2	3A	TC	FEED INLET	
N7	1 1/4"	1	UNC	UNC	Temperature sensor	



PART NUMBER	DWG. NO.	DESIGNATION	QTY	MATERIAL	REMARKS
11	HD22A-053-19	REDUCER	1	ASSEMBLY	4HP 65rpm
10	HD22A-053-21	REDUCER	1	ASSEMBLY	5.5HP 28rpm
9	HD22A-053-20	MIXING SYSTEM II	1	S31603	
8	GB/T3452.1	O-RING SEALS	1	SILICONE RUBBER	
7	HD22A-053-19	OIL SEAL COVER	1	PTFE	
6	GB/T15783	BOLT	4	A2-70	
5	HD22A-053-18	ENGINE BASE FLANGE	1	S304.08	
4	GB/T3452.1	O-RING SEALS	1	SILICONE RUBBER	
3	HD22A-053-17	OIL SEAL COVER	1	PTFE	
2	HD22A-053-16	BRIDGE	1	S31603	

陕西宏达实业有限公司
 SHANXI HONGDA INDUSTRY CO., LTD

300USG SPHERICAL TANK
 300加仑球形钢

PROJECT NUMBER: 22-1026-06-HA
 DRAWING NO: HD22A-053-00

SCALE: 19
 WEIGHT: 12
 REV: 1
 PAGE: 1