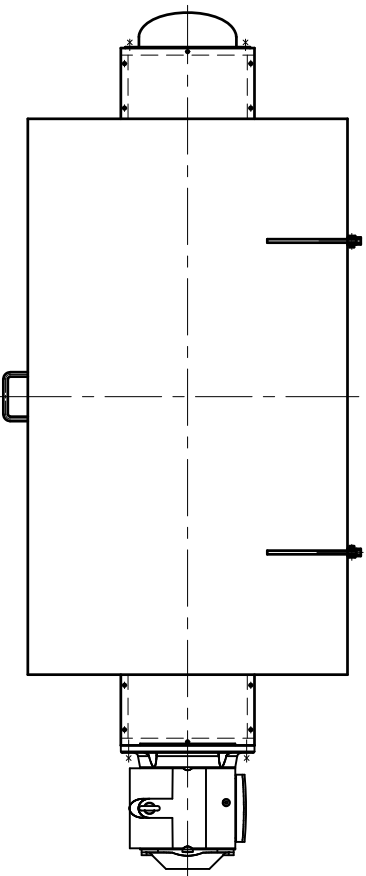
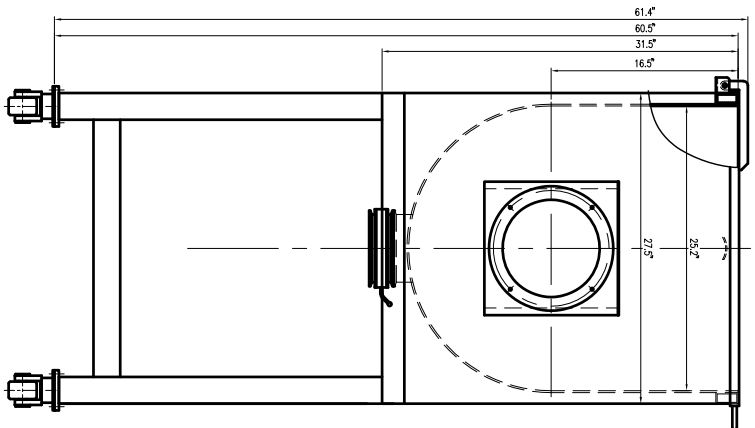
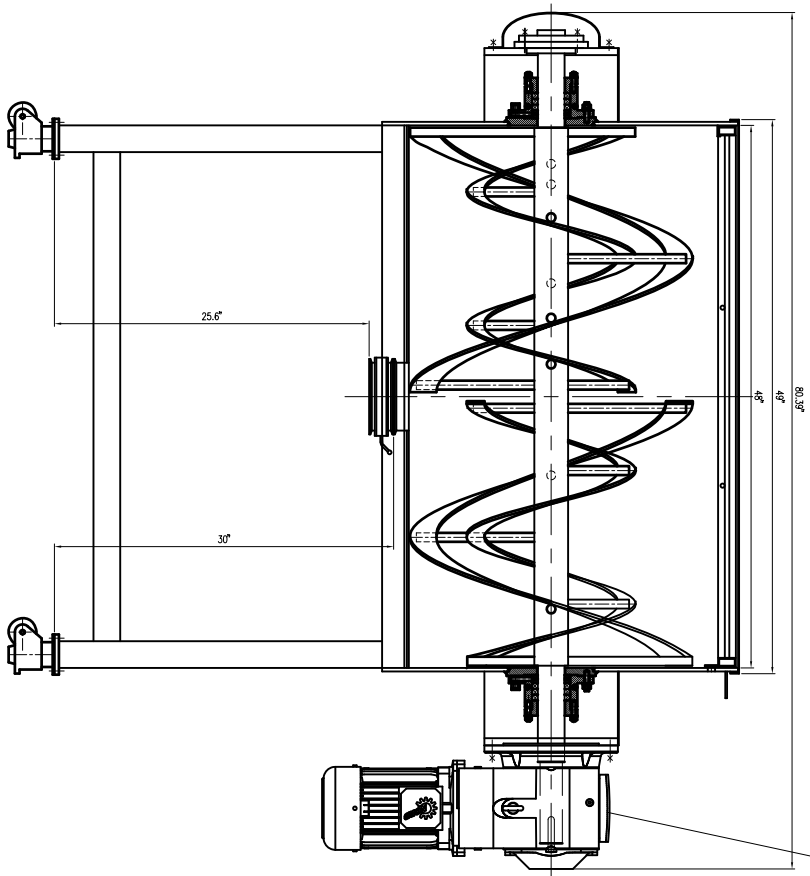


10HP 36RPM 230/460V 3P 60HZ



NOZZLE SCHEDULE

MARK	NOMINAL SIZE	QTY	CONNECTING SIZE AND STANDARD	FACE	SERVICE	REMARKS
N1	6"	1	3A	T.C.	OUTLET	
3						
2						
1						

REVISION

REV	NO	DESCRIPTION	PREPARED BY	CHECKED BY	APPROVED BY	DATE
1						

SHAANXI HONGDA INDUSTRY CO., LTD

75 CF DOUBLE RIBBON BLENDER

SCALE 18 WEIGHT

PROCESS STAGE

DRAWING NO. HD20-C-016-00

PRODUCT NUMBER

GENERAL DRAWING

REV 1 TOTAL: 1

PAGE: 1