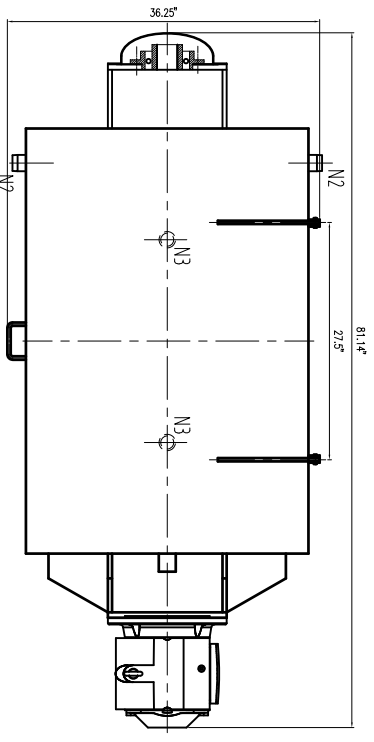
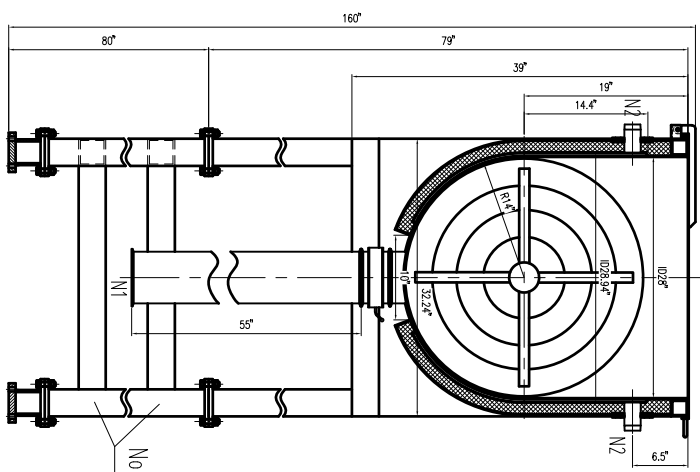
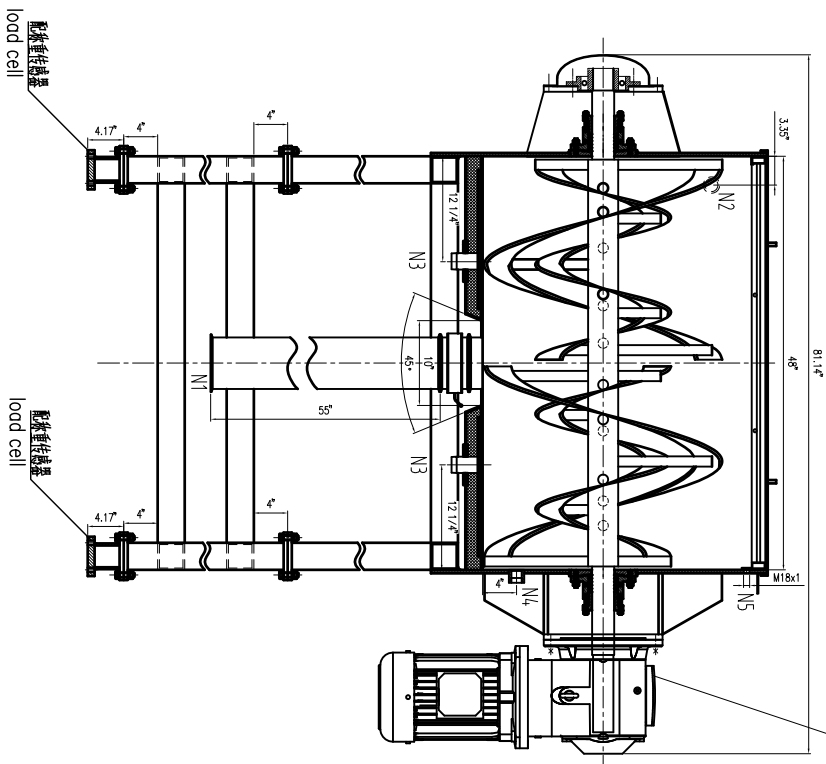
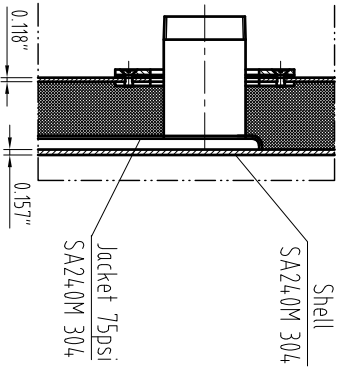


10HP 36RPM 230/460V 3P 60HZ



INLET AND OUTLET OF JACKET
NOT TO SCALE



NOZZLE SCHEDULE

MARK	NOMINAL SIZE	QTY	CONNECTING SIZE AND STANDARD	FACE	SERVICE	REMARKS
N1	6"	1	3A	T/C	OUTLET	
N2	15"	2		NPT	Jacket inlet	
N3	15"	2		NPT	Jacket outlet	
N4	1-1/4" UNC	1		UNC	THEBROWELL	
N5	M8x1	1		M8x1	Open cover pinfection	

REVNO	DESCRIPTION	PREPARED BY	CHECKED BY	APPROVED BY	DATE
1					
2					
3					

PREPARED BY	SHANXI HONGDA INDUSTRY CO. LTD	PROCESS STAGE	
CHECKED BY	500L DOUBLE RIBBON BLENDER	PROJECT NO.	H020C-016-00
APPROVED BY	GENERAL DRAWING	SCALE	1:1
		WEIGHT	
		REV	5
		TOTAL PAGE	1 / 1