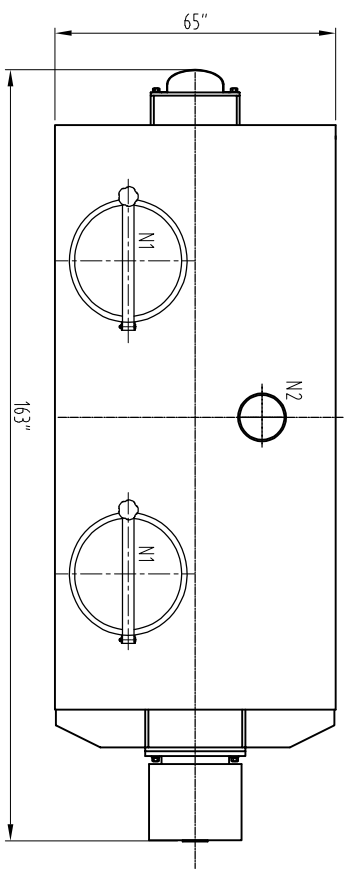
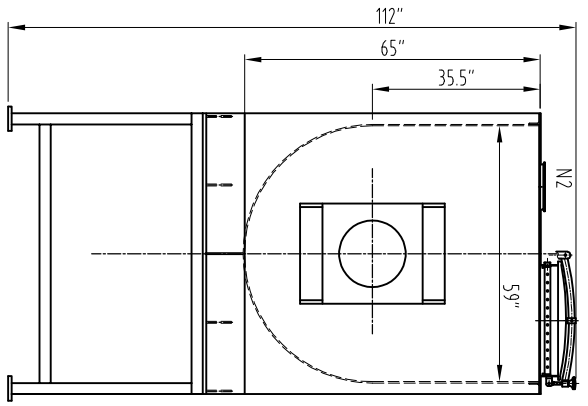
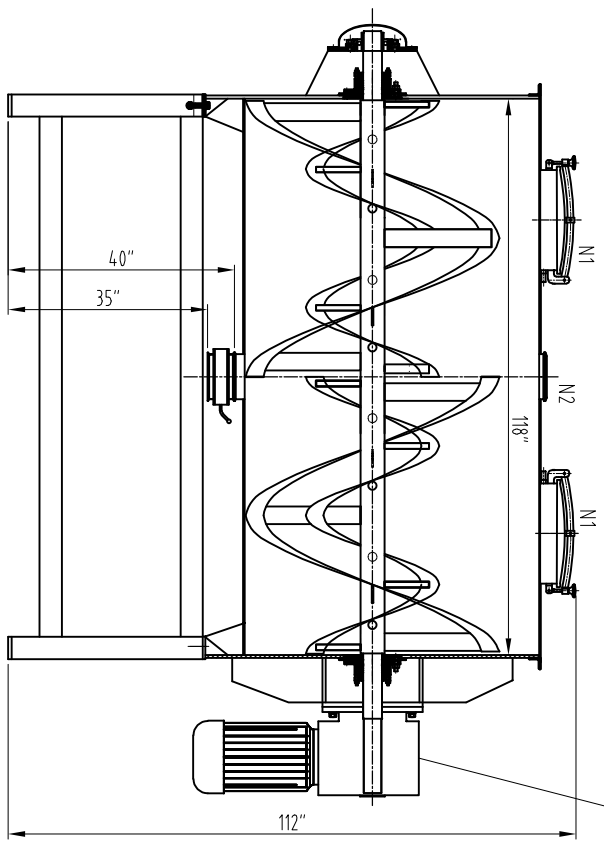


50HP 32RPM 230/460V 3P 60HZ



NOZZLE SCHEDULE

MARK	NOMINAL SIZE	QTY	CONNECTING SIZE AND STANDARD	FACE	SERVICE	REMARKS
N1	DMS00	2	YAB		MANWAY	
N2	8"	1	3A	T.C	Dusting mouth	
N3	10"	1	3A	T.C	OUTLET	
3						
2						
1						

REV. NO.	DESCRIPTION	PREPARED BY	CHECKED BY	APPROVED BY	DATE
1					
2					
3					

SHANXI HONGDA INDUSTRY CO., LTD

200 CF DOUBLE RIBBON BLENDER

PREPARED BY	CHECKED BY	APPROVED BY	SCALE	1:12	WEIGHT	REV	1	TOTAL	1
SHANXI HONGDA INDUSTRY CO., LTD			200 CF DOUBLE RIBBON BLENDER		GENERAL DRAWING		PAGE: 1		

HD19C-013-00

PROCESS STAGE

GENERAL DRAWING