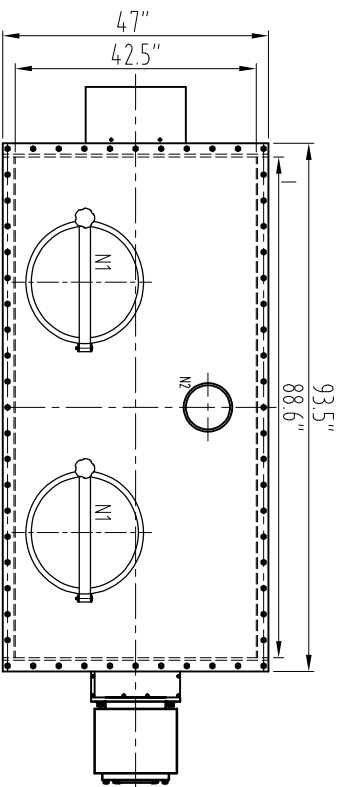
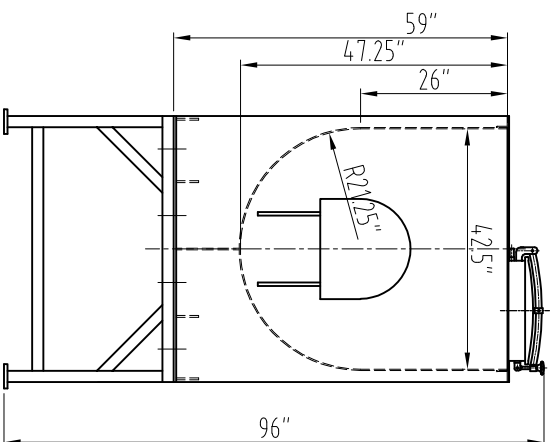
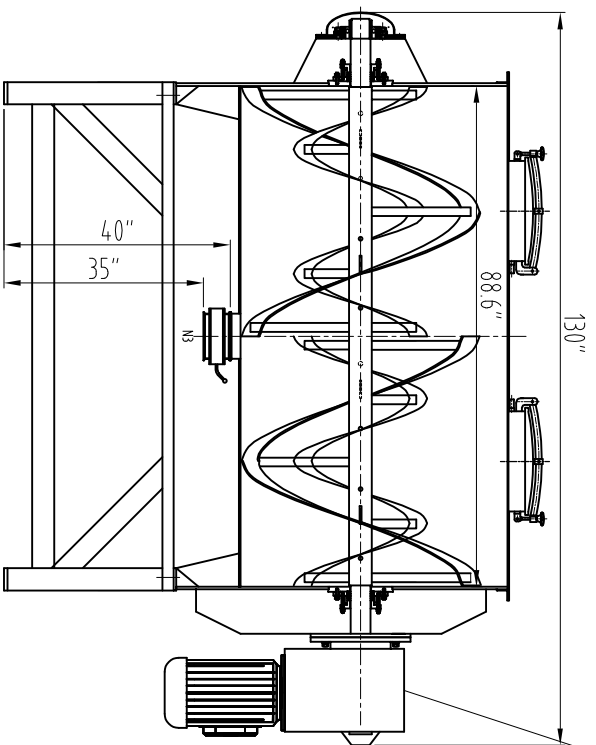


25HP 36RPM 230/460V 3P 60HZ



NOZZLE SCHEDULE

MARK	NOMINAL SIZE	QTY.	CONNECTING SIZE AND STANDARD	FACE	SERVICE	REMARKS
N1	20"	2	YAB		Manway/Inlet	
N2	8"	1	3A		Dusting mouth	
N3	8"	1	3A		OUTLET	
3						
2						
1						

REV. NO.	DESCRIPTION	PREPARED BY	CHECKED BY	APPROVED BY	DATE
1					
2					
3					

SHANXI HONGDA INDUSTRY CO., LTD

PROCESS STAGE

DRAWING NO. 22-0706-01-1-HA

PROJECT NUMBER 22-0706-01-HA

GENERAL DRAWING

SCALE 1:12 WEIGHT REV 1 TOTAL: 1 PAGE: 1