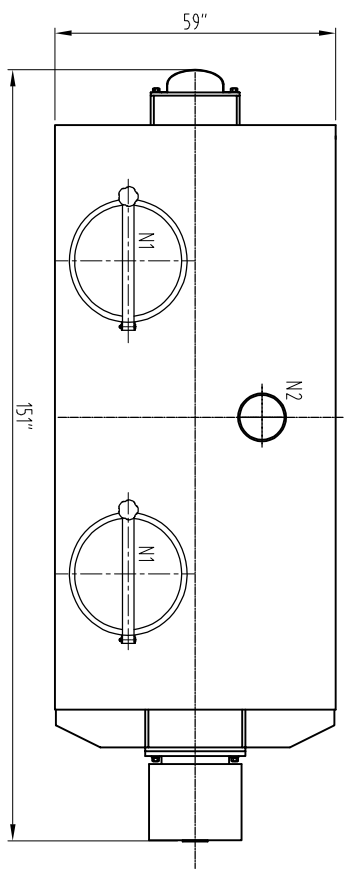
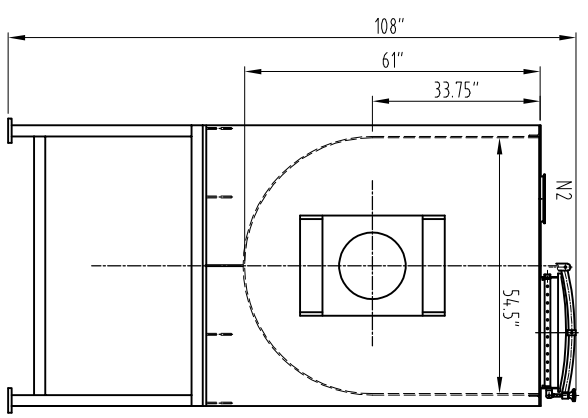
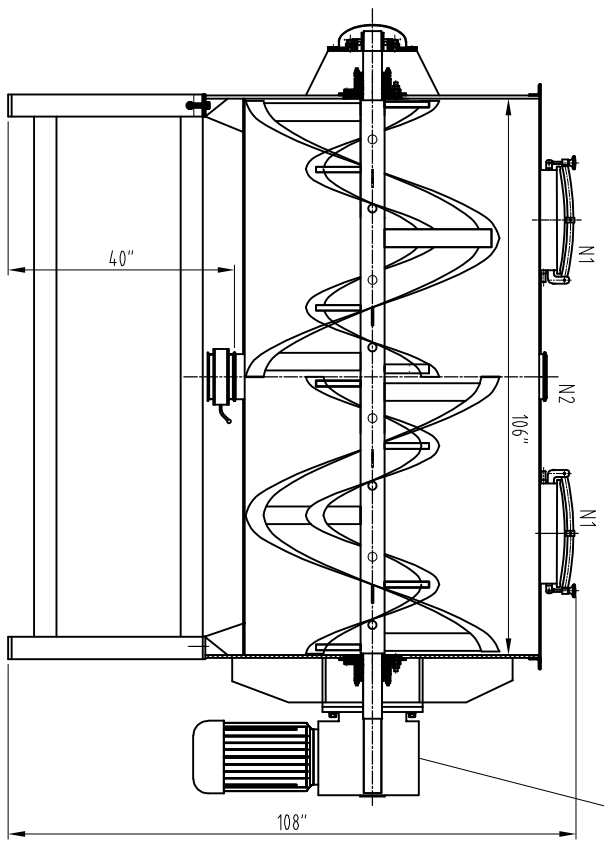


40HP 32RPM 230/460V 3P 60HZ



NOZZLE SCHEDULE

MARK	NOMINAL SIZE	QTY	CONNECTING SIZE AND STANDARD	FACE	SERVICE	REMARKS
N1	DMS00	2	YAB		MANWAY	
N2	8"	1	3A	T.C	Dusting mouth	
N3	10"	1	3A	T.C	OUTLET	
3						
2						
1						

REV. NO.	DESCRIPTION	PREPARED BY	CHECKED BY	APPROVED BY	DATE

SHANXI HONGDA INDUSTRY CO., LTD

PREPARED BY	750 CF DOUBLE RIBBON BLENDER	PROCESS STAGE	DRAWING NO.	HD19C-013-00
CHECKED BY	GENERAL DRAWING	PROJECT NUMBER		
APPROVED BY	SCALE 1:12	WEIGHT	REV	1
			TOTAL	1
			PAGE	1