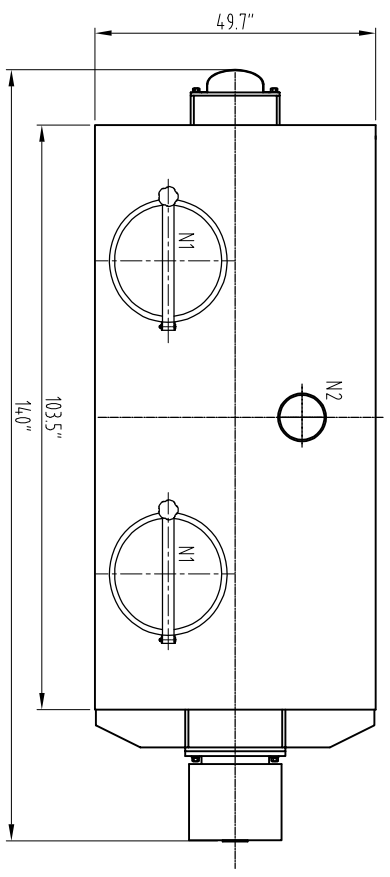
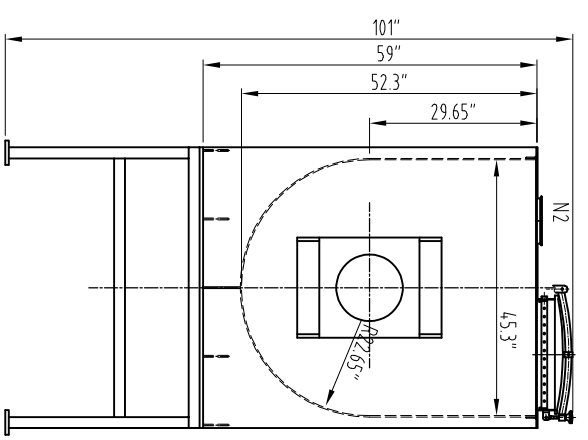
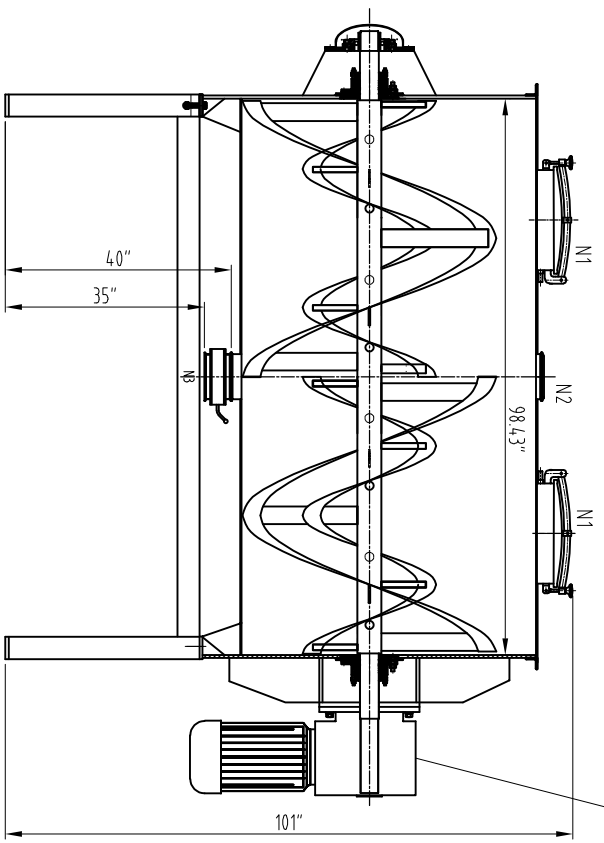


30HP 32RPM 230/460V 3P 60HZ



NOZZLE SCHEDULE

MARK	NOMINAL SIZE	QTY	CONNECTING SIZE AND STANDARD	FACE	SERVICE	REMARKS
N1	DMS00	2	YAB		MANWAY	
N2	8"	1	3A	T.C	Dusting mouth	
N3	8"	1	3A	T.C	OUTLET	

REV. NO.	DESCRIPTION	PREPARED BY	CHECKED BY	APPROVED BY	DATE
1					
2					
3					

SHANXI HONGDA INDUSTRY CO., LTD
 PROCESS STAGE
 DRAWING NO. HD19C-013-00
 PROJECT NUMBER

PREPARED BY	100 CF DOUBLE RIBBON BLENDER	GENERAL DRAWING	REV	1	TOTAL	1
CHECKED BY			SCALE	1:12	WEIGHT	
APPROVED BY						PAGE: 1