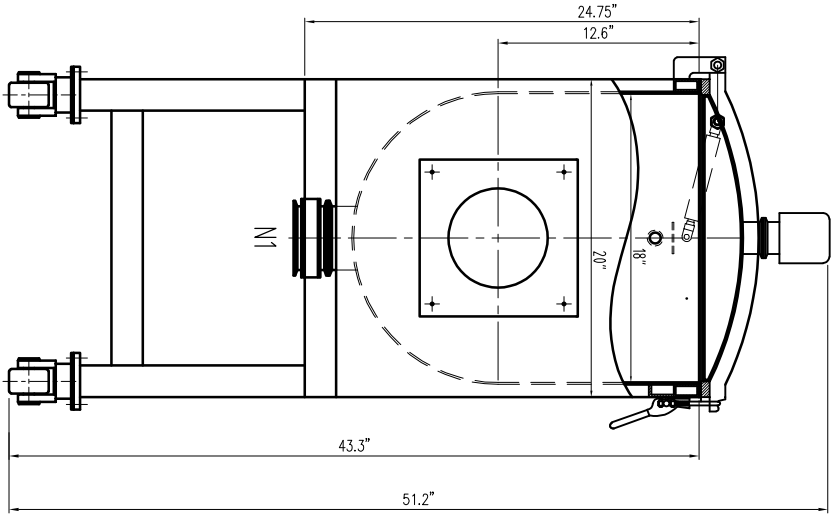
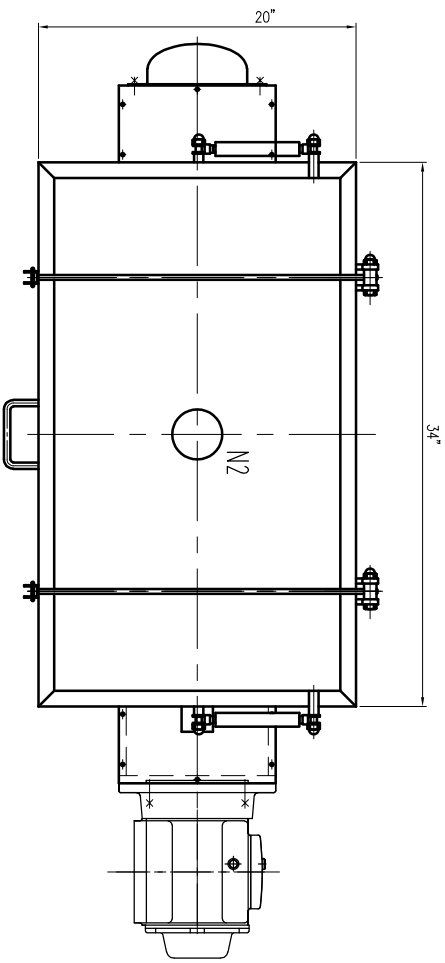


4HP 45RPM 230/460V 3P 60HZ



NOZZLE SCHEDULE

MARK	NOMINAL SIZE	QTY	CONNECTING SIZE AND STANDARD	FACE	SERVICE	REMARKS
N1	4"	1	3A		Outlet	
N2	2"	1	3A		Air vent	
3						
2						
1						

REV. NO	DESCRIPTION	PREPARED BY	CHECKED BY	APPROVED BY	DATE

		<b>SHAANXI HONGDA INDUSTRY CO., LTD</b>		<b>PROCESS STAGE</b>	
PREPARED BY		5 CF DOUBLE RIBBON BLENDER		DRAWING NO. HDJBC-003-00	
CHECKED BY		BLENDER		PROJECT NUMBER	
APPROVED BY		SCALE 1:4		GENERAL DRAWING	
WEIGHT		REV 1		TOTAL: 1	
DATE		PAGE: 1		TOTAL: 1	

1 2 3 4 5 6 7 8 9 10 11 12