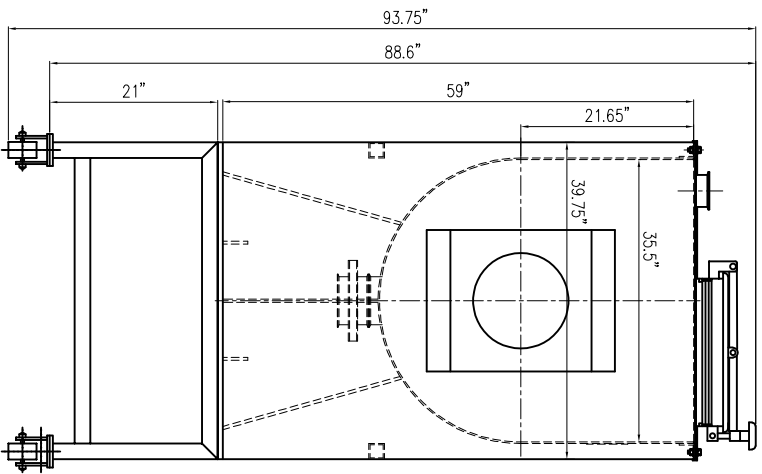
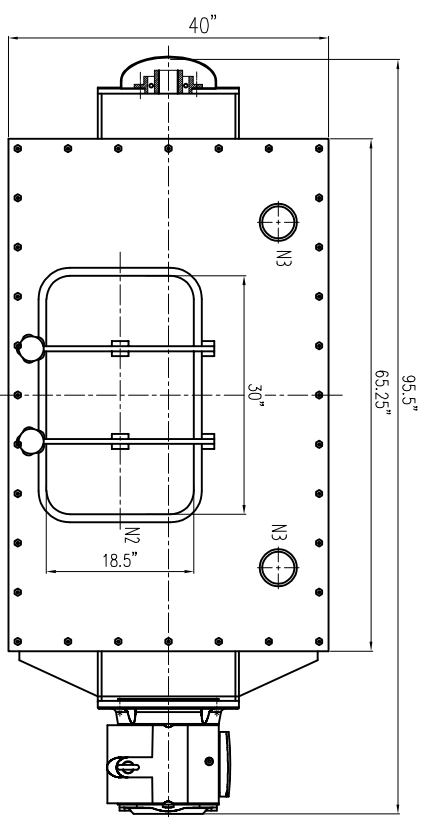
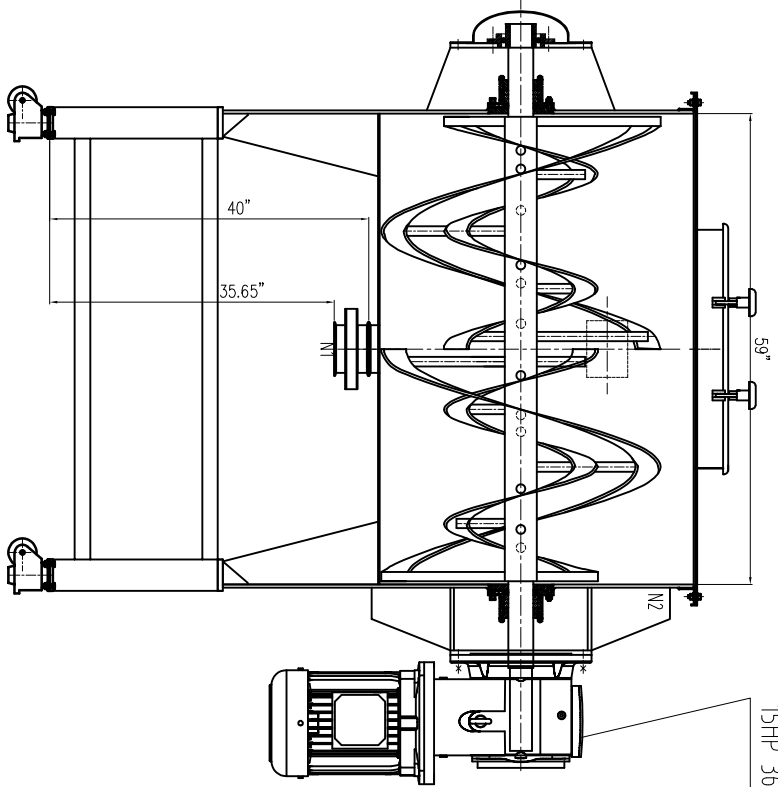



15HP 36RPM 230/460V 3P 60HZ



NOZZLE SCHEDULE

MARK	NOMINAL SIZE	QTY.	CONNECTING SIZE AND STANDARD	FACE	SERVICE	REMARKS
N1	6"	1	3A	T.C	OUTLET	
N1	M18x1	1		T.C	Emergency	
3	4"	2	3A	T.C	Air vent	

REV. NO	DESCRIPTION	PREPARED BY	CHECKED BY	APPROVED BY	DATE
1					
2					
3					


SHAANXI HONGDA INDUSTRY CO., LTD
 DRAMING NO. HD22C-003-00
 PROCESS STAGE

PREPARED BY: 35 CF DOUBLE RIBBON BLENDER
 CHECKED BY: GENERAL DRAWING
 APPROVED BY: SCALE 1:8 WEIGHT TOTAL: 1 PAGE: 1

