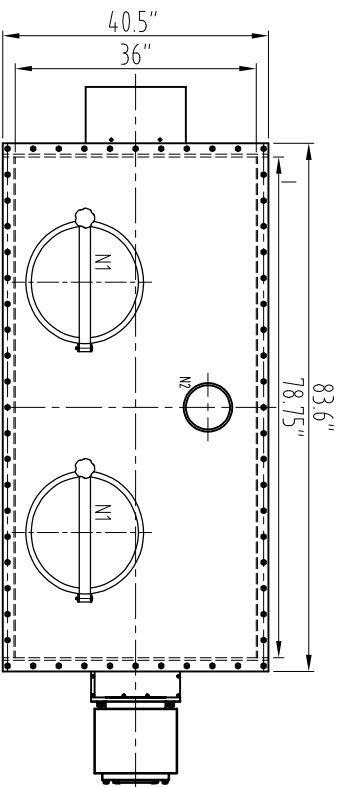
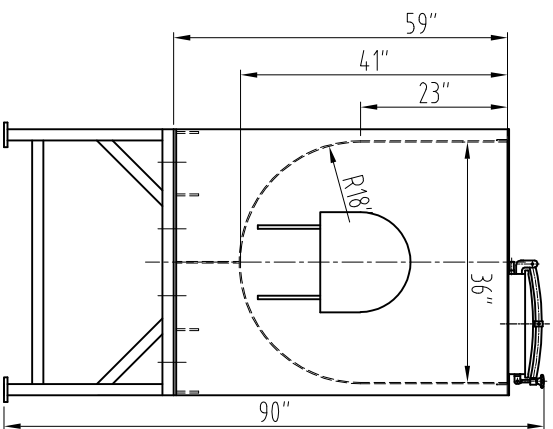
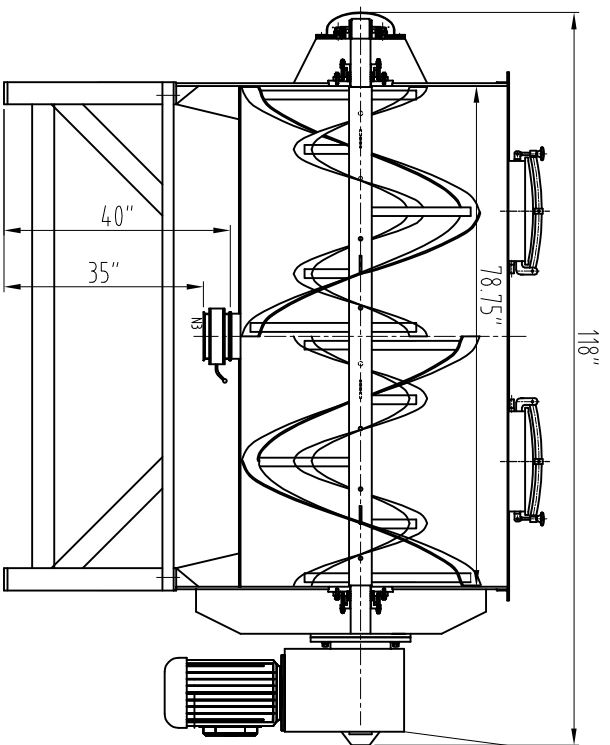


20HP 36RPM 230/460V 3P 60HZ



NOZZLE SCHEDULE

MARK	NOMINAL SIZE	QTY.	CONNECTING SIZE AND STANDARD	FACE	SERVICE	REMARKS
N1	20"	2	YAB		Manway/Inlet	
N2	8"	1	3A		Dusting mouth	
N3	8"	1	3A		OUTLET	
3						
2						
1						

REV. NO.	DESCRIPTION	PREPARED BY	CHECKED BY	APPROVED BY	DATE
1					
2					
3					

SHANXI HONGDA INDUSTRY CO., LTD

PROCESS STAGE

PREPARED BY		50 CF DOUBLE RIBBON BLENDER	DRAWING NO.	22-0706-0702-HA
CHECKED BY			PROJECT NUMBER	22-0706-01-HA
APPROVED BY			GENERAL DRAWING	
		SCALE 1:12	WEIGHT	
			REV 1	TOTAL 1
				PAGE 1