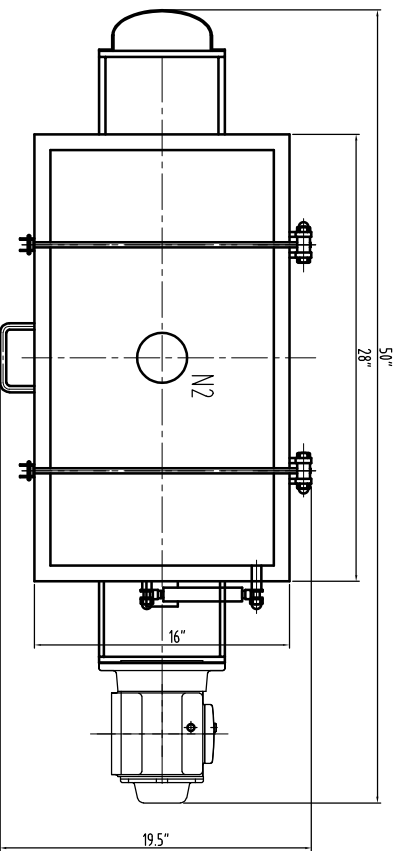
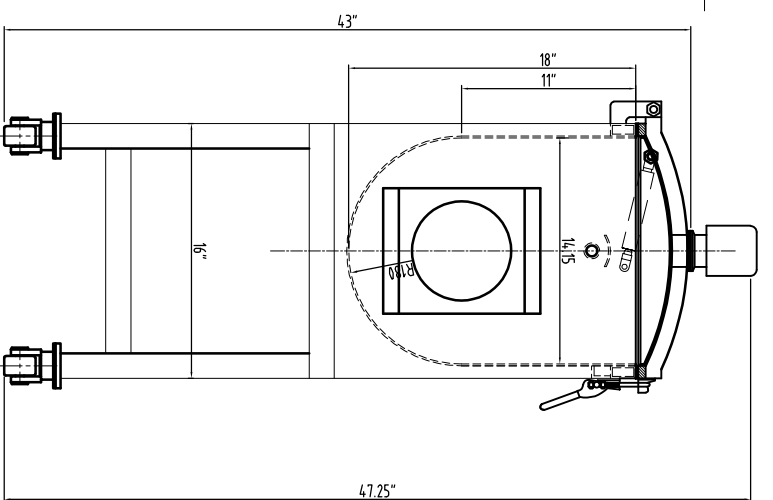


2HP 49RPM 230/460V 3P 60HZ



NOZZLE SCHEDULE

MARK	NOMINAL SIZE	QTY	CONNECTING SIZE AND STANDARD	FACE	SERVICE	REMARKS
N1	4"	1	3A		Outlet	
N2	2"	1	3A		Air vent	
3						
2						
1						

REV.NO	DESCRIPTION	PREPARED BY	CHECKED BY	APPROVED BY	DATE
1					
2					
3					

LEITEC
SHANXI HONGDA INDUSTRY CO., LTD
 DRAWING NO: HDJC-002-00
 PROCESS STAGE

PREPARED BY
 CHECKED BY
 APPROVED BY
 SCALE 1:4
 WEIGHT
 TOTAL: 1
 PAGE: 1

2.5 CF DOUBLE RIBBON BLENDER
 GENERAL DRAWING
 PRODUCT NUMBER
 REV 1
 TOTAL: 1
 PAGE: 1