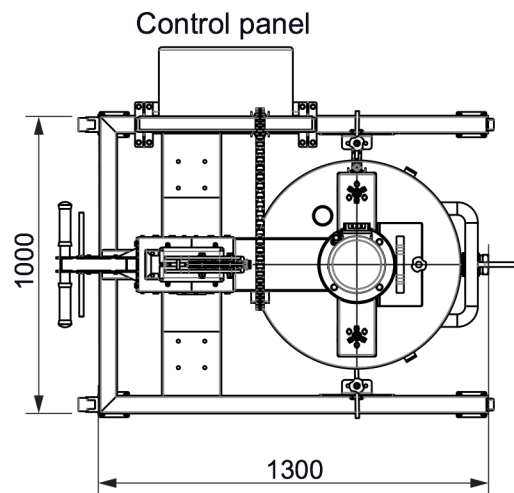
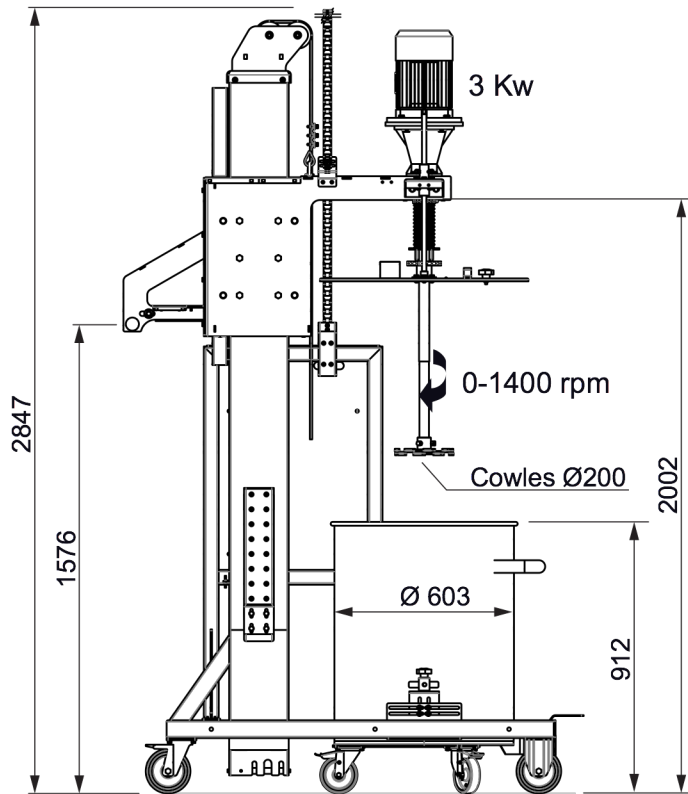


# COPRINOX

## AGITATED VESSEL

Code n° RA 002 9999

Location ref: T1



<b>CAPACITY LITERS</b> <u>210</u>	<b>SHELL SIDE</b>	<b>JACKET/COIL SIDE</b>	
Design Pressure KG/cm <sup>2</sup> Design Temperature °C Material	ATM		
	AISI 304		
ANCC or ISPESEL certification: <u>CE</u> Availability in stock n° <u>01</u> units	<b>NOZZLE DIMENSIONS</b>		
<b>MANUFACTURER:</b> <u>COPRINOX</u>	Pos	Service	Size inch.
<input type="checkbox"/> USED <input type="checkbox"/> USED RECONDITIONED <input checked="" type="checkbox"/> UNUSED	A		
	B		
	C		
	D		
	E		
<b>WEIGHT (approx) Kg</b> <u>250</u>	<b>NOTE</b> Model MIXUP200CW Control panel with inverter		