

## G570 PowerSource Generators

Voltage	P.F.	Armature Connection	Rating	Amps	kW	kVA
480 / 277 V - 3Ø	0.8	Series Wye	Prime	686	456	570
			Standby	754	502	627
240 / 139 V - 3Ø	0.8	Parallel Wye	Prime	1371	456	570
			Standby	1508	502	627
208 / 120 V - 3Ø	0.8	Parallel Wye	Prime	1416	408	510
			Standby	1557	449	561

### Features

#### Generator Set

- Heavy duty generator system designed for prime power operation in rental, construction and special events applications.
- Generator system features a heavy-duty, drag-able skid base, and can be easily equipped with an integrated running gear system for mobile applications.
- Generator is CSA certified for electrical equipment per C22.2, No. 14.

#### Engine

- Industrial, heavy-duty diesel engine is EPA emissions certified to current model year requirements.
- Electronically controlled engine provides isochronous frequency control and advanced diagnostic monitoring and protection.
- Oversized cooling system rated for high ambient operation.
- All filters and maintenance points are easily accessed enhancing serviceability.

#### Generator

- AREP brushless excitation provides powerful motor starting kVA and is isolated from harmonic-induced waveform distortion.
- Class H insulation for ultimate resistance to high temperature and humidity.
- Capable of supporting up to 300% overload for up to 10 seconds.
- R438 voltage regulator provides superior voltage stability and transient recovery.
- Single, sealed-for-life bearing ensures long maintenance-free performance.
- Alternator features buss bar reconnection capabilities to easily configure the unit for operation at most common voltages.



#### Control System

- Operator-preferred analog gauges provide at-a-glance monitoring of vital engine and generator parameters (digital control system optional).
- Solid state engine control module provides convenient, microprocessor-controlled startup at the push of a button and protects the generator system from an array of faults while providing the operator with indication of any faults on the LED display.
- PowerSource features remote Auto Start / Stop capability via industry standard two wire, closed contact logic, allowing for connection to automatic transfer switchgear and other remote starting devices.

#### Power Connections

- All controls and connection points are grouped at the rear of the unit for safety and operator convenience.
- Power cables are connected at a five lug (L1 L2 L3 N PE) terminal board and accept bare end or terminated cables.

#### Fuel System and Environmental Containment

- Single wall steel fuel tank is mounted within the skid base, providing double wall protection and 110% environmental containment of all fluids.

# PowerSource G570

- The fuel filler is lockable and is located within the containment basin, minimizing possible spillage.
- Standard fuel / water separator and fine micron fuel filter keep contaminants out of the system and increase reliability.

## Enclosure

- The heavy duty enclosure provides weather protection of components and provides sound attenuation for use in noise sensitive areas.
- The enclosure is coated with a 13 stage paint process including E-coat primer for superior corrosion resistance and a high gloss powder paint for long life.
- The engine generator assembly is mounted on fail-safe vibration isolators.
- Wide opening side access doors are hinged, providing easy access and are equipped with recessed, pad-lockable handles.
- PowerSource units are equipped with a center-point lifting eye for safe, well-balanced hoisting.

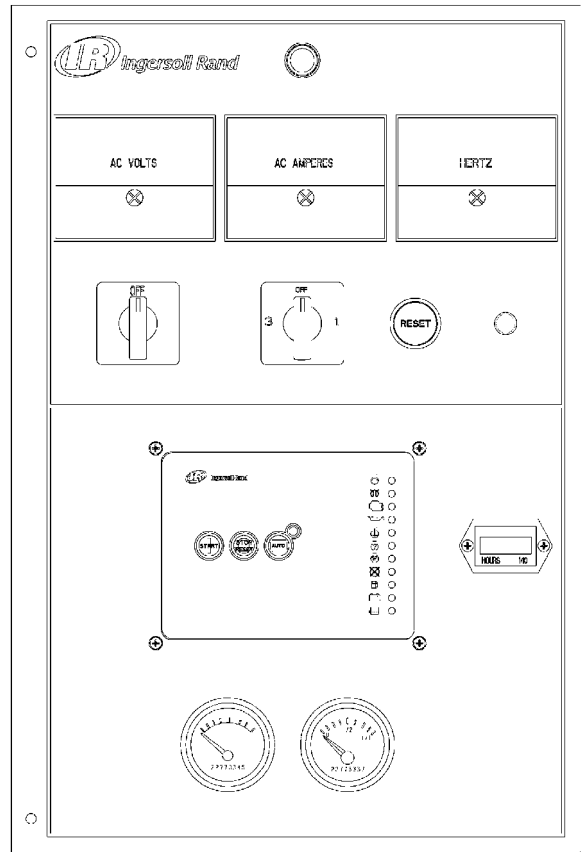
## Warranty

- PowerSource is covered by a comprehensive limited warranty:
  - Package: 1 year / 2000 hours
  - Engine: 1 year / unlimited hours or 2 years / 2000 hours
  - Alternator: 2 years / 4000 hours
- Extended warranty options are available.

Power Connections	
Terminal Board Maximum Load Cable Size (Bare Wire Cable)	1000 MCM × 2
Terminal Board Maximum Load Cable Size (Lugged Cable)	500MCM—1000MCM × 2

Reference Conditions		
Maximum Ambient Temperature	104 °F	40 °C
Maximum Relative Humidity	100%	
Maximum Altitude	see d-rating chart	
Minimum Starting Temperature (Standard)	10 °F	-12 °C
Minimum Starting Temperature (w/ Cold Start Option)	-10 °F	-23 °C

\* For operation outside of these reference conditions, contact factory for de-rating instructions



## Control Panel Features

- AC Voltmeter with phase selector switch
  - Range: 0—600 V, 2% Accuracy
- AC Ammeter with phase selector switch
  - Range: 0—1600 A, 2% Accuracy
- AC Frequency meter
  - Range: 45—65 Hz, 3% Accuracy
- DC Voltmeter
  - Range: 18—32 V
- Fuel tank level gauge
  - Range: 0—1/2—1/1
- Runtime hour meter
  - Range: 0—99999.9 h
- Fine voltage adjustment control (+/- 5%)
- Overcurrent relay reset
- Control panel lamp

## Engine Control Module with Auto Start / Stop

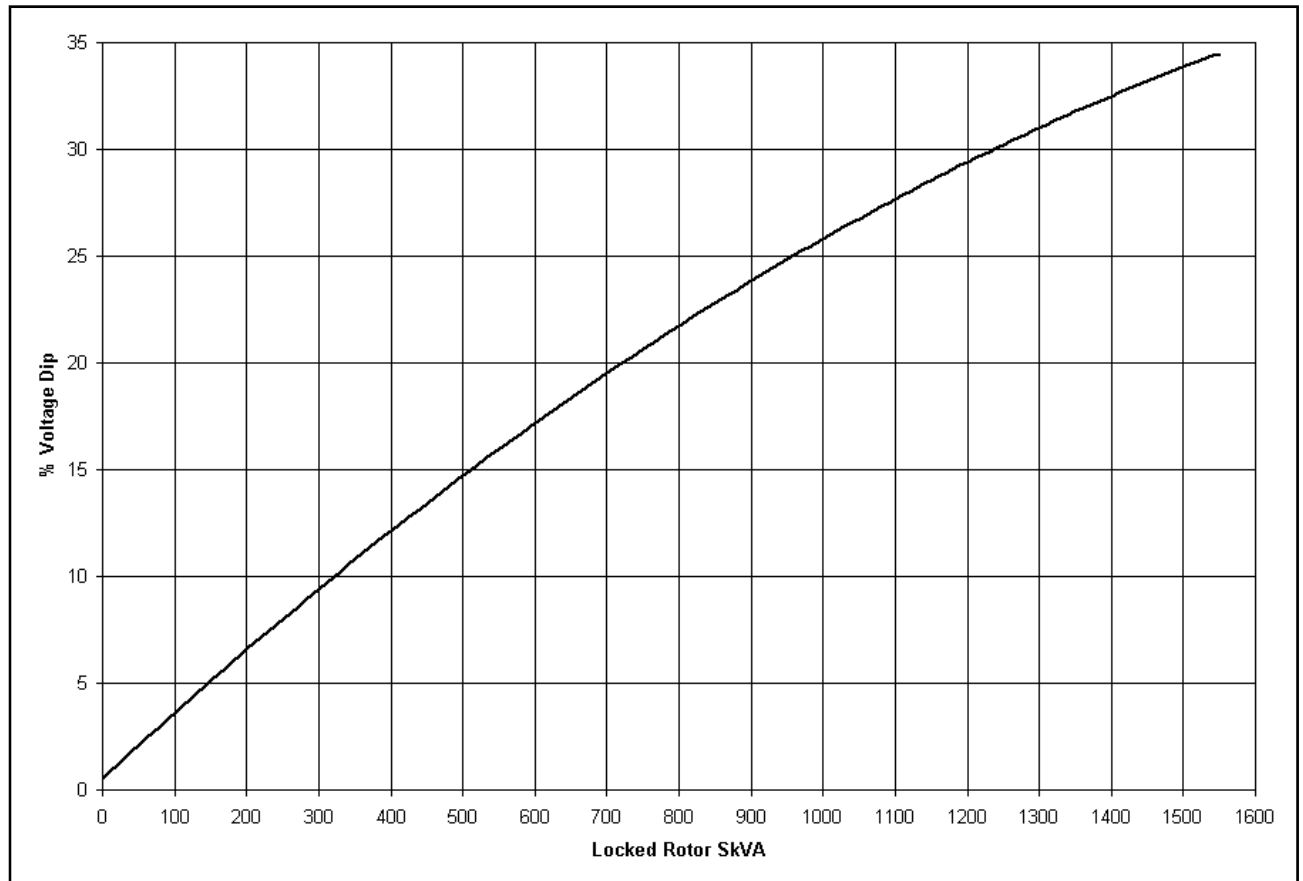
- **Status Indications (Green)**
  - System On
  - Engine COM OK
  - Preheat Cycle On
  - AutoStart Mode Active
- **Shutdown Indications (Red)**
  - Low Oil Pressure
  - Engine Fault
  - Overcrank
  - High Coolant Temperature
  - Overspeed
  - Low Fuel Level
- **Warning Indications (Red)**
  - Low Battery Alarm
  - High Containment Alarm

# PowerSource G570

Engine Data		
Engine Manufacturer	Cummins	
Model Number	QSX15-G9	
Prime Output @ Rated Speed	680 hp	507 kW
Standby Output @ Rated Speed	755 hp	563 kW
Engine Type	Inline Four Cycle	
Engine Control	ECU	
Emissions Certification	EPA Tier II Non-road	
Number of Cylinders	6	
Aspiration	Turbocharged with charge air intercooling	
Bore × Stroke	5.4 × 6.6 in	137 × 169 mm
Displacement	909 in <sup>3</sup>	14.9 L
Compression Ratio	17 : 1	
Governor Type	Electronic	
Speed Regulation Accuracy (Steady State)	+ / - 0.25%	
Single Step Load Acceptance	100%	
Cooling System	Water / Glycol	
Charging Alternator Output	35 A	
DC System Voltage	24 V	
Battery Output	2 × 1300 CCA	
Oil Sump Capacity	24 gal	91 L
Cooling System Capacity	16.25 gal	61.5 L
Fuel Cell Capacity (Usable Capacity - Level Operation)	574 gal	2173 L

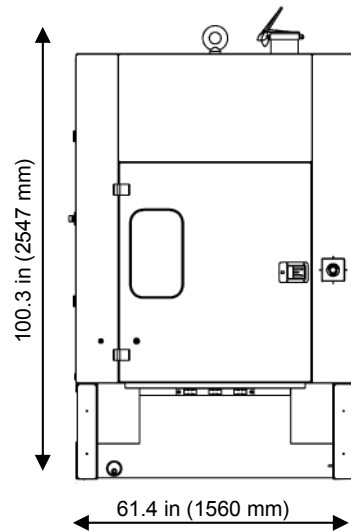
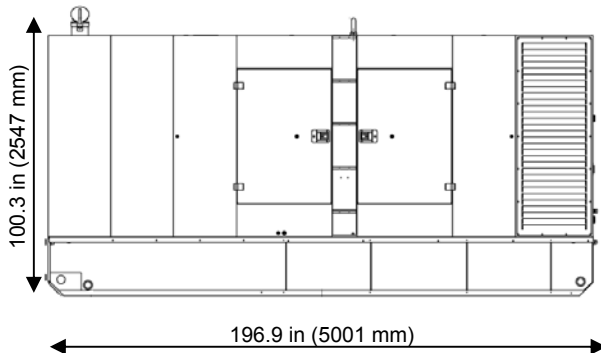
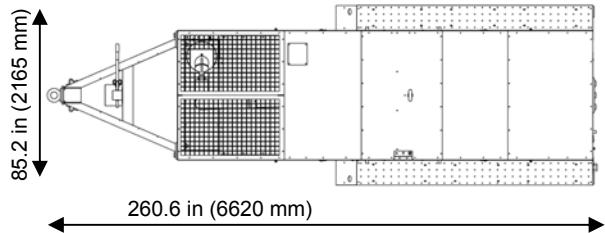
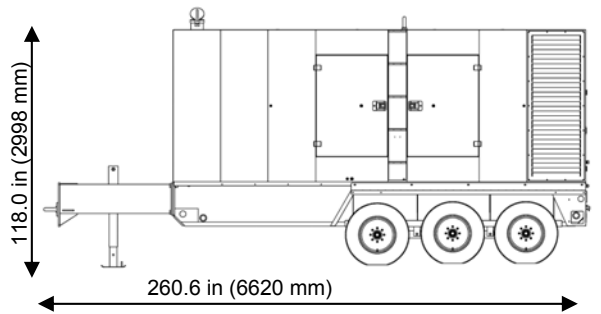
Fuel Consumption at Prime Power Rating	gal / h	L / h	Runtime
@ 25% Load	9.89	37.4	58
@ 50% Load	17.24	65.3	33.3
@ 75% Load	23.92	90.6	24
@ 100% Load	31.13	117.8	18.4

Alternator Data	
Alternator Manufacturer	Leroy Somer
Alternator Model	LSA 472 S5
Alternator Type	Four Pole, Revolving Field
Number of Leads	12
Insulation Class	H
Frequency	60 Hz
Available Voltages - Three Phase	208 / 220 / 230 / 240 / 416 / 440 / 460 / 480 V
Available Voltages - Single Phase	120 / 127 / 133 / 139 / 240 / 254 / 266 / 277 V
Voltage Connection Method	Buss Bar Reconnectable
Excitation Method	AREP
Voltage Regulation Accuracy (Steady State)	+/-0.5%
Total Harmonic Distortion (THD) @ No Load	< 2%
Telephone Influence Factor (TIF)	< 50



# PowerSource G570

<b>Running Gear</b>		
Configuration	triple axle	
Suspension	leaf spring	
Standard Brake System Configuration	electric	
Tires	9.50-16.5LT/E	
Wheels	16.5 × 6.75 in (419 × 171 mm), 8 lug on 6.5 in (165 mm) bolt circle	
Lighting and Reflectors	meets 49CFR571 requirements	
Electrical Connection to Towing Vehicle	six pole round plug	
Standard Coupling Connection	3 in (76 mm) lunette eye	
Hitch Height	21.5 - 35 in × 4.5 in	546 - 889 mm × 113.4 mm
Safety Chains	2 × 3/8 in (10 mm) chains with slip hooks and safety latches	
Jack Stand Configuration	10000 lb (4536 kg) capacity, top wind with drop foot and sand shoe, fixed mount	
<b>Weights &amp; Dimensions (w/ Running Gear)</b>		
Length	260.9 in	6,626 mm
Width	85.9 in	2,181 mm
Height	119.8 in	3,042 mm
Weight (Shipping)	14,170 lb	6,426 kg
Weight (Ready to Run)	18,573 lb	8,423 kg
<b>Weights &amp; Dimensions (Less Running Gear)</b>		
Length	198.3 in	5,038 mm
Width	63.9 in	1,624 mm
Height	100.3 in	2,547 mm
Weight (Shipping)	12,397 lb	5,622 kg
Weight (Ready to Run)	16,800 lb	7,619 kg
<b>Sound Level @ 23ft (7m), 100% Load</b>	<b>76 dB(A)</b>	



(877) IR BRAND • [ingersollrand.com](http://ingersollrand.com)

©2007 Ingersoll-Rand Co. 570-00