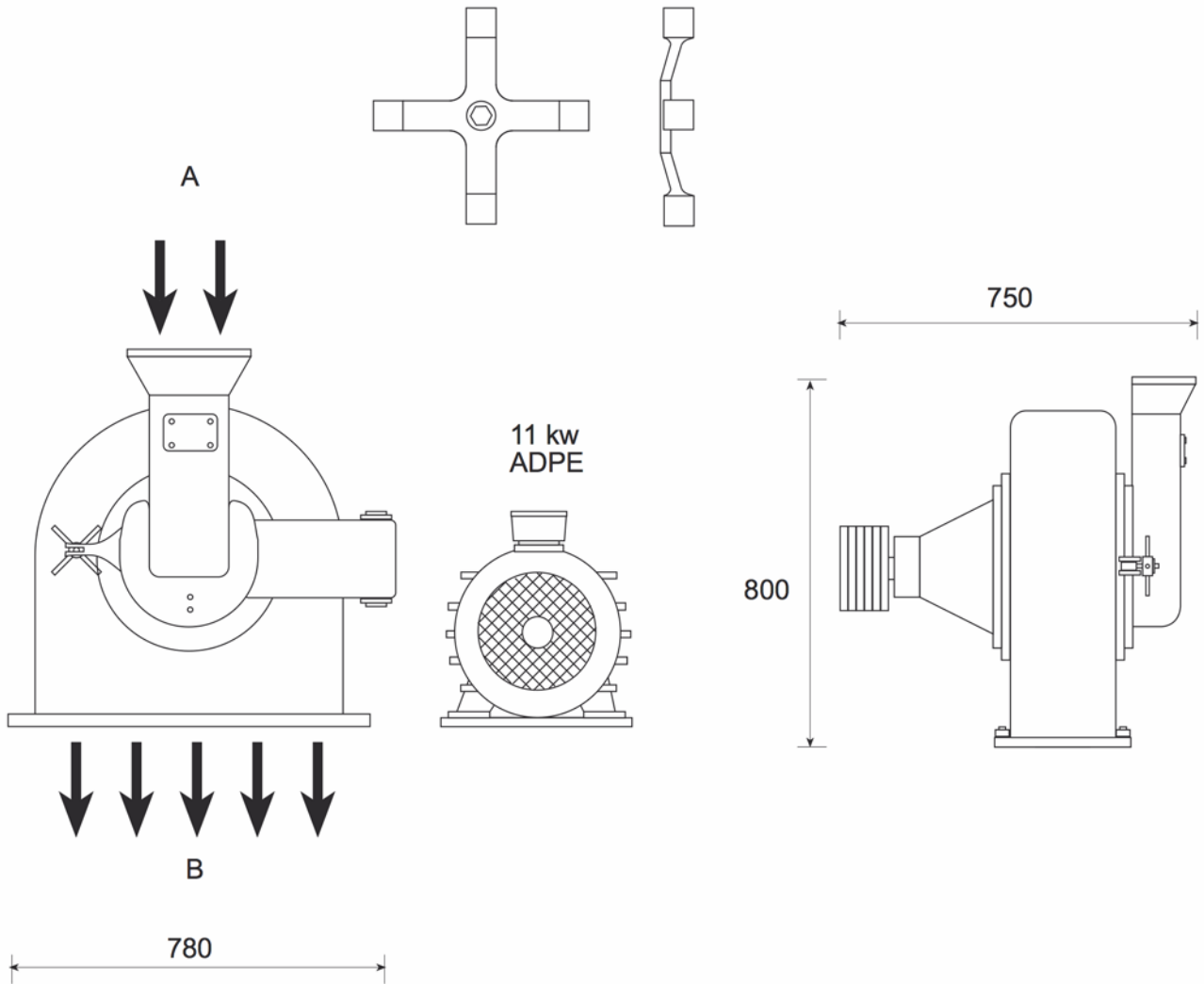


COPRINOX

MILL

Code n° MIL 029 0067 Drawing n° 08 G2



Manufacturer: DANIONI

Type: 123 rotor diameter: 290 mm

Material of construction: body: Carbon Steel / rotor: AISI 304

Speed: 2800 rpm

Electric motor: ADPE 11 kw - 1450 RPM

Without support frame

SUPPLIER : DANIONI - Type 123

NOZZLE DIMENSIONS

POS	SERVICE	SIZE INC
A	Product inlet	180 x 250
B	Product outlet	120 x 590
C		
D		

USED
USED RECONDITIONED
NEW
WEIGHT Kg 800