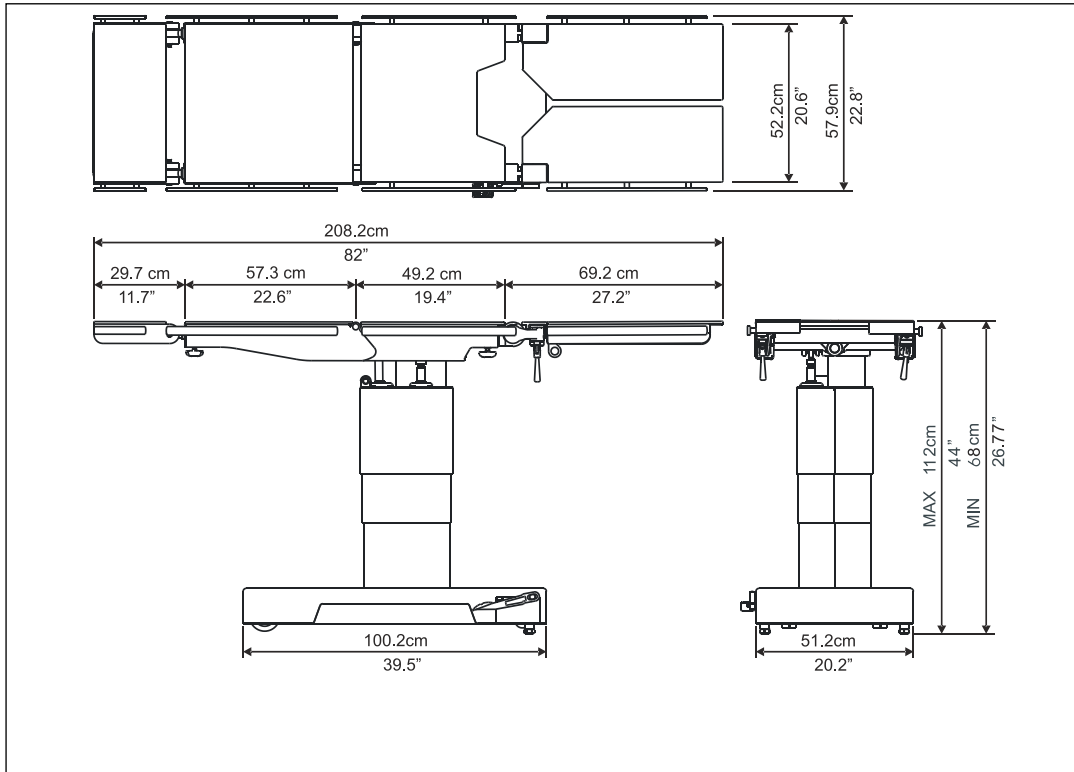


3.6 Technical Specifications

3.6.1 Dimensions

Figure 3-3: Dimensions



3.6.2 Weight (without package and accessories)

Model No.	B2AV800	B2AV800 K	B2AV800 S	B2AV800 SK	B2AV800 LS	B2AV800 LSK
Weight lb (kg)	396 (180)	407 (185)	416 (189)	427 (194)	431 (196)	442 (201)

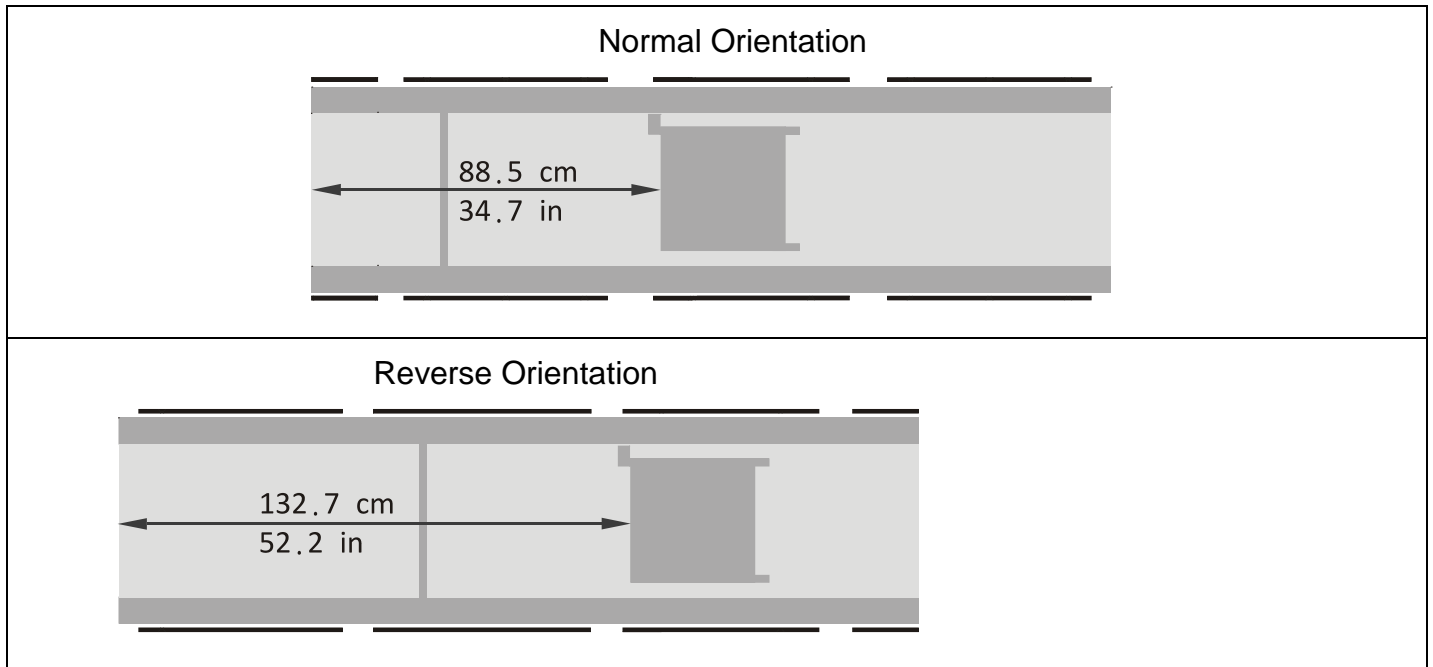
3.6.3 Battery Capacity

Battery Set: 24V, 14 Ah (Battery Specification: 12V/14Ah*2, per table)

Optional C-LiFePO4 Battery Pack: 17.4 Ah (Battery Specification: 24V/17.4Ah*1, per table)

3.6.4 Imaging Coverage

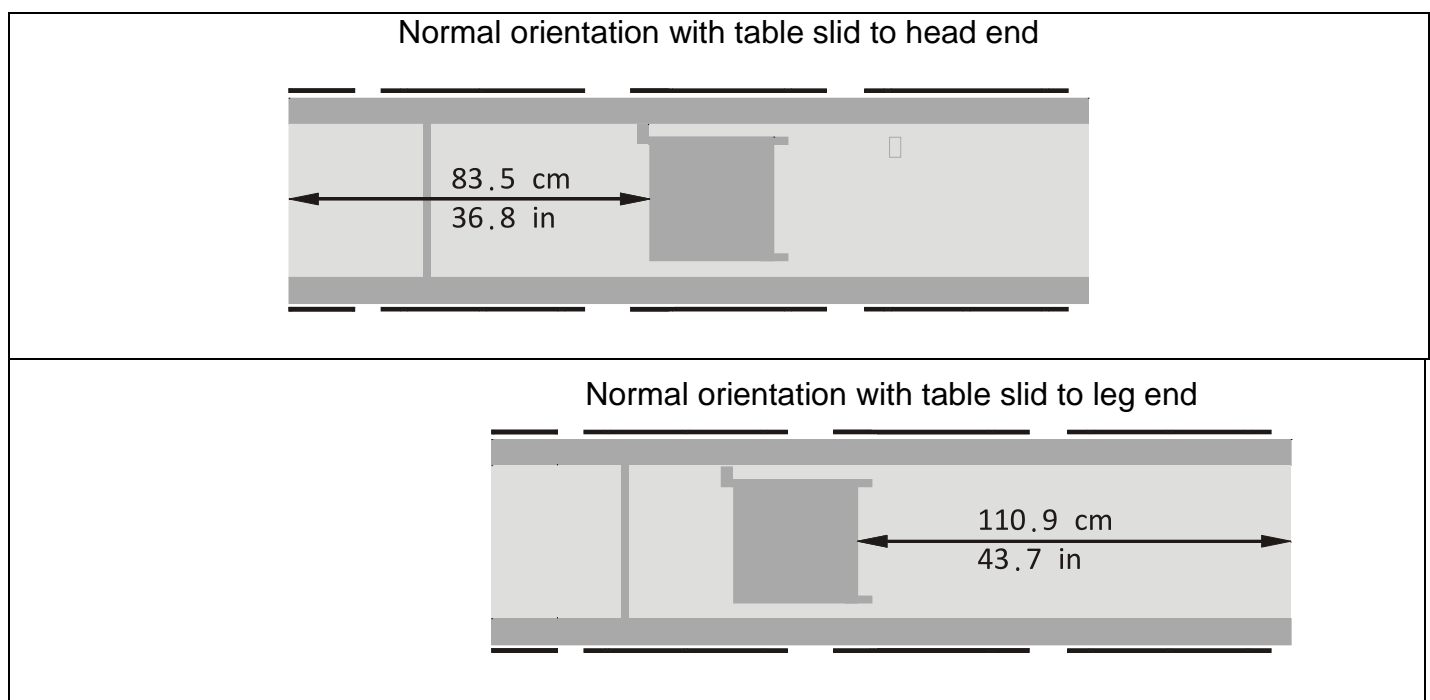
Figure 3-4: Models B2AV800, B2AV800K

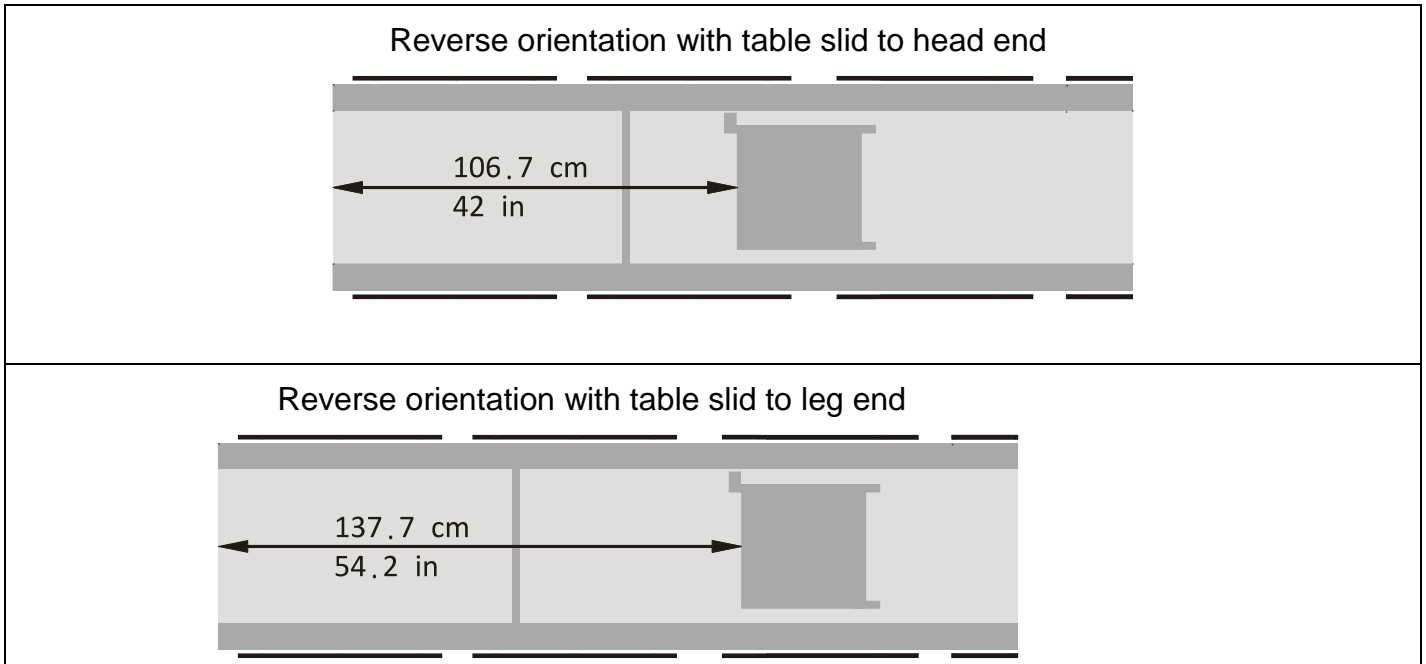


Note: The imaging coverage is 14 inches wide.

Remarque: La couverture d'imagerie est de 35.5 cm (14 po) de large

Figure 3-4-2: Models B2AV800S, B2AV800SK, B2AV800LS, B2AV800LSK





Note: The imaging coverage is 14 inches wide.

Remarque: La couverture d'imagerie est de 35.5 cm (14 po) de large

3.6.5 Load Capacity

The nominal patient weight capacity is tested according to the Standard IEC60601-2-46 additional sub clause: 21.101. The Standard's weight distribution calculation model is based on a person with 190 cm stature. The B2AV800 Series tables can hold patients who weigh up to 800 lbs (364kg) in normal orientation and reverse orientation.

3.6.6 Range of Table Movements

- a. Height: 26.8 - 44 in (68 - 112 cm)
- b. Slide: 12.2 in (31cm)
- c. Lateral Tilt: 20° from horizontal
- d. Trendelenburg: 30° from horizontal
- e. Reverse
Trendelenburg: 30° from horizontal
- f. Back Section: 80° up or 50° down from horizontal
- g. Leg Section: 30° up or 90° down from horizontal position. 180° open to the left and right.
- h. Head Section: 90° up or 45° down from horizontal position
- i. Kidney Elevator
Elevation: 0 ~ 4.7 in (12cm) up from tabletop
- j. Flex: Maximum of 25° down from horizontal for both the back and seat sections
- k. Reflex: Maximum of 30° up from horizontal for both the back and seat sections