

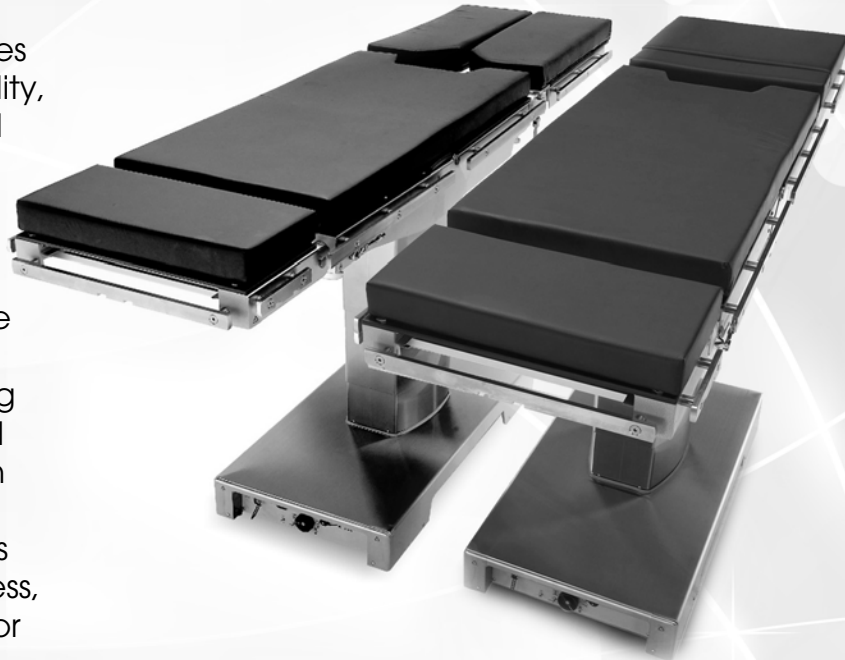


V-Series Tables

# Unmatched versatility. Exceptional quality. Remarkable value.

Designed to accommodate surgical procedures in nearly all fields, including urology, neurology, orthopedics, and cardiology, the Nuvo V1000 and V800 series surgical tables set new standards for versatility, innovative features and solid dependability.

Both tables feature an exceptionally sturdy, low-profile base that helps ensure maximum surgeon comfort to reduce fatigue during long procedures. With design and engineering thought through to a remarkable degree, they provide such benefits as unprecedented C-arm access, self-diagnosis with Instant Error Code display, and a control system that automatically prevents sectional conflicts.



## V-Series features:

- 1,000 lb. Weight Capacity (V1000)
- 800 lb. Weight Capacity (V800)
- Powered Leg Section (V1000)
- Unique Shoulder Attachment (V1000)
- Quick Release Plate (V1000)
- Removable, Split Leg Section (V800)
- Kidney Bridge
- Sliding Top
- Reverse Orientation
- Slide Option
- Hybrid Option
- Override Controls
- Perineal Cutout
- Table Leveling

# Special Features Of The V-Series Surgical Tables

## X-RAY CHANNEL

14-inch cassette channels all around (except in leg section) eliminate need for X-ray tabletops



## KIDNEY ELEVATOR

Features carbon fiber construction for maximum X-ray transparency, plus integral adjustment of continuously monitored patient pressure

## QUICK RELEASE PLATE (V1000)

Facilitates use of Auvars weighted speculum and Da Vinci Robotic Surgical System during OB/GYN procedures

## UNIQUE SHOULDER ATTACHMENT (V1000)

Electronically raises or lowers the patient from the Hand Pendant, reducing stress and strain on the surgical staff.

## 12.2" LONGITUDINAL SLIDE

Combines with our low-profile table base to provide extraordinary C-arm accessibility

## INTELLIGENT PATIENT ORIENTATION

Automatically interprets positioning commands per selected patient orientation

## PILOT CHECK VALVES

Electronically monitored check valves are mounted directly on the hydraulic cylinders to prevent table drift in the event of hydraulic tube rupture.

## HAND PENDANT

Backlit buttons remotely control patient positioning. INTERLOCK light alerts user to automatic pauses due to sectional conflicts

## USB PORT

Offers convenient, plug-in access for use with computer diagnostics or OR Integrative System

## OVERRIDE SYSTEM

Allows operation of basic table functions from the non-sterile area when Hand Pendant is inoperative or unavailable

## HYBRID OPTION

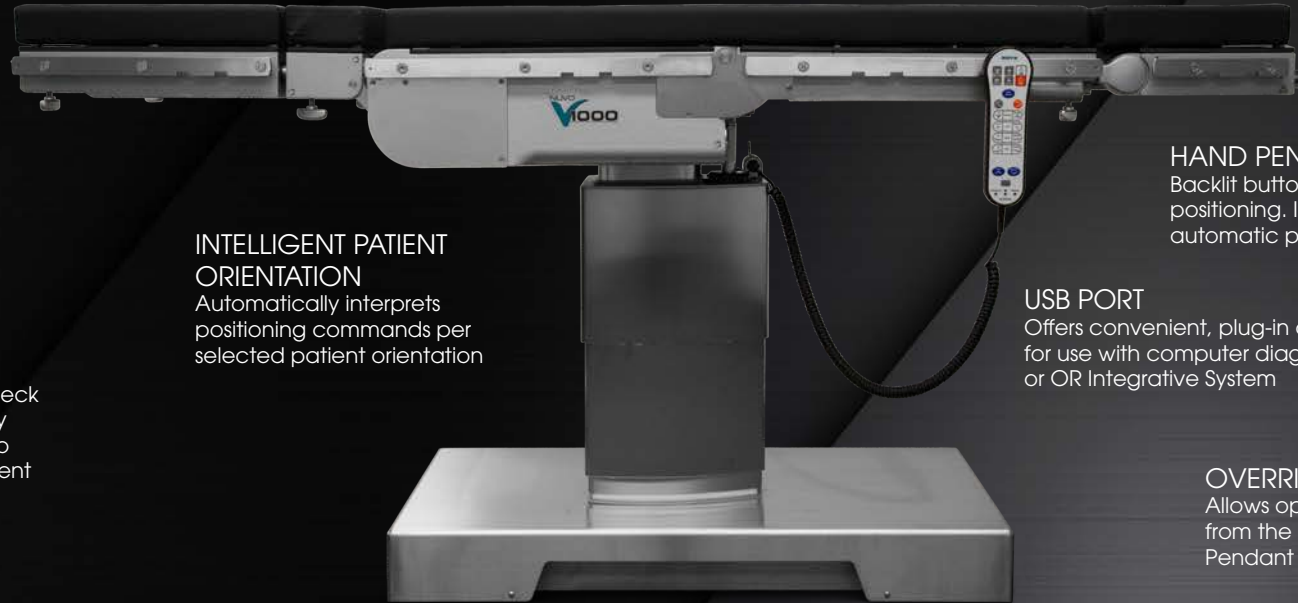
Provides two operating modes: Electro-hydraulic mode (normal), or manual mode in case of power outage/electrical failure

## INTERLOCK ALERT

Visible and audible alert when sectional conflicts cause the control system to pause

## FOOT PUMP (OPTIONAL)

Foot Pump provides a secondary source of hydraulic power



# Versatile, Easy-to-Use, Innovative



# Convenience, Ease and Safety at Your Fingertips

Forward-thinking design: Both the V800 and V1000 surgical tables provide table-mounted vital features, plus an ergonomically shaped Hand Pendant that puts full functional control at your fingertips.



## AUTO OVERRIDE

Offers full control of basic table functions when Hand Pendant control is unavailable or inoperative (Tables with slide only)



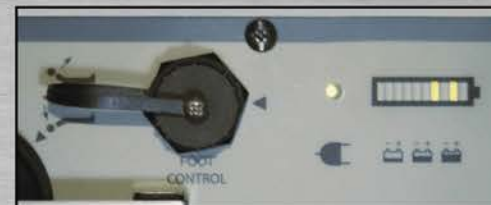
## MANUAL OVERRIDE

Tables without slide feature a rotary dial to control table functions Hand Pendant control is unavailable or inoperative



## FOOT PUMP

For tables with slide, the Foot Pump provides a secondary source of hydraulic power



## SELF-DIAGNOSTICS W/ ERROR CODE DISPLAY

When the Service LED on the Hand Pendant is lit, the battery level indicator on the base panel instantly displays a service code used for diagnosis

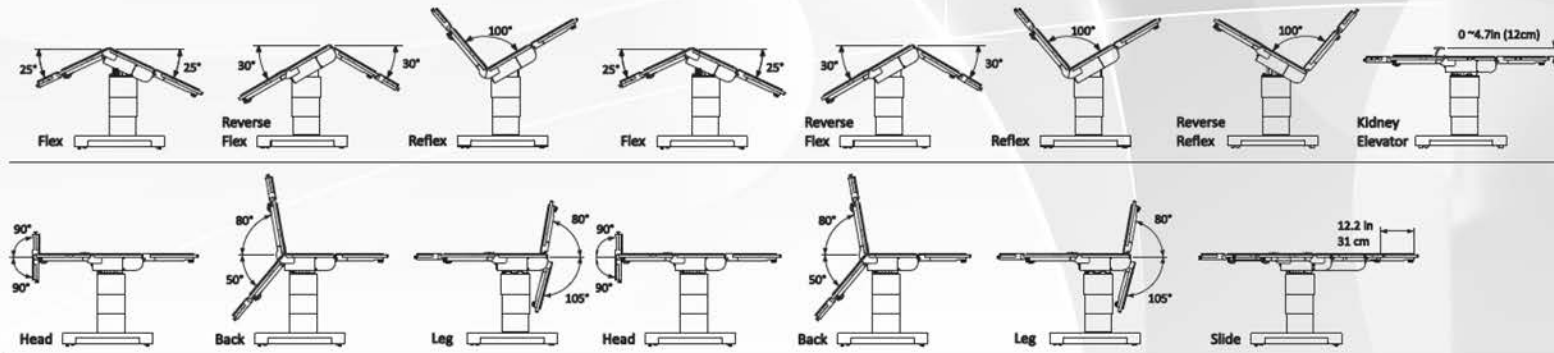
# Unmatched versatility. Exceptional quality. Remarkable value.



Max. Weight Capacity: 1000 lbs (454 kg)  
 Height: 26.8 - 44 in (68 - 112 cm)  
 Slide: 12.2 in (31cm)  
 Lateral Tilt: 20°  
 Trendelenburg: 30°  
 Reverse Trendelenburg: 30°  
 Back Section: 80° up or 50° down  
 Leg Section: 30° up or 90° down;  
 180° open to the left and right  
 Head Section: 90° up or 45° down  
 Kidney Elevator Elevation: 0 ~ 4.7 in (12cm)  
 Flex: Maximum of 25° down  
 Reflex: Maximum of 30° up



Max. Weight Capacity: 800 lbs (363 kg)  
 Height: 26.8 - 44 in (68 - 112 cm)  
 Slide: 12.2 in (31cm)  
 Lateral Tilt: 20°  
 Trendelenburg: 30°  
 Reverse Trendelenburg: 30°  
 Back Section: 80° up or 50° down  
 Leg Section: 30° up or 90° down;  
 180° open to the left and right  
 Head Section: 90° up or 45° down  
 Kidney Elevator Elevation: 0 ~ 4.7 in (12cm)  
 Flex: Maximum of 25° down  
 Reflex: Maximum of 30° up





## NUVO - Operating in the patient's best interest

For nearly 20 years, our sole focus at Nuvo has been to provide the medical field with the highest quality, most cost-effective surgical lights, tables, equipment management systems, video integration and other products for hospital operating rooms. All of which can greatly help you make a difference in the care of your patients.

Check the specs at [www.nuvosurgical.com](http://www.nuvosurgical.com) or contact your distributor.



(800) 663-1152

[www.nuvosurgical.com](http://www.nuvosurgical.com)



Proudly made in the USA



Nuvo is a division of Medical Illumination  
19749 Dearborn St. Chatsworth, CA 91311

