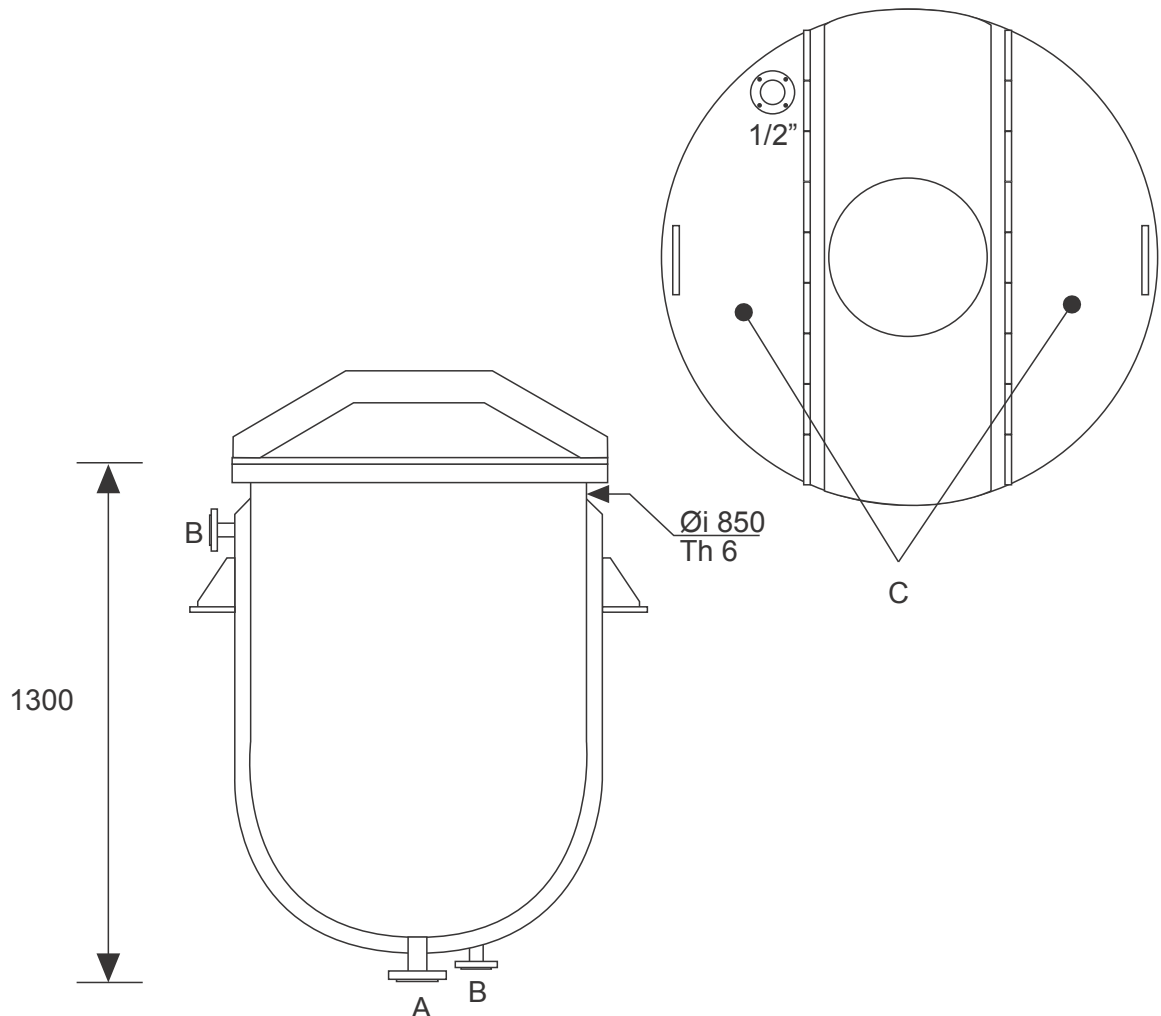


COPRINOX

VESSEL

Code n° **VVJ 005 1514**Location ref: **T2**CAPACITY LITERS **500**

SHELL SIDE

JACKET/COIL SIDE

Design Pressure KG/cm2
Design Temperature °C
Material

Atm

AISI 316

Carbon Steel

ANCC or ISPESL certification: **NOT**
Availability in stock n° **01** units

NOZZLE DIMENSIONS

Pos	Service	Size inch.
A	Product outlet	1"1/2
B	Heating medium in-out	1"
C		
D		
E		

MANUFACTURER **FBM**

- USED
 USED RECONDITIONED
 UNUSED

NOTE INTERNAL PARTS POLISH MIRRORWEIGHT (approx) Kg **400**