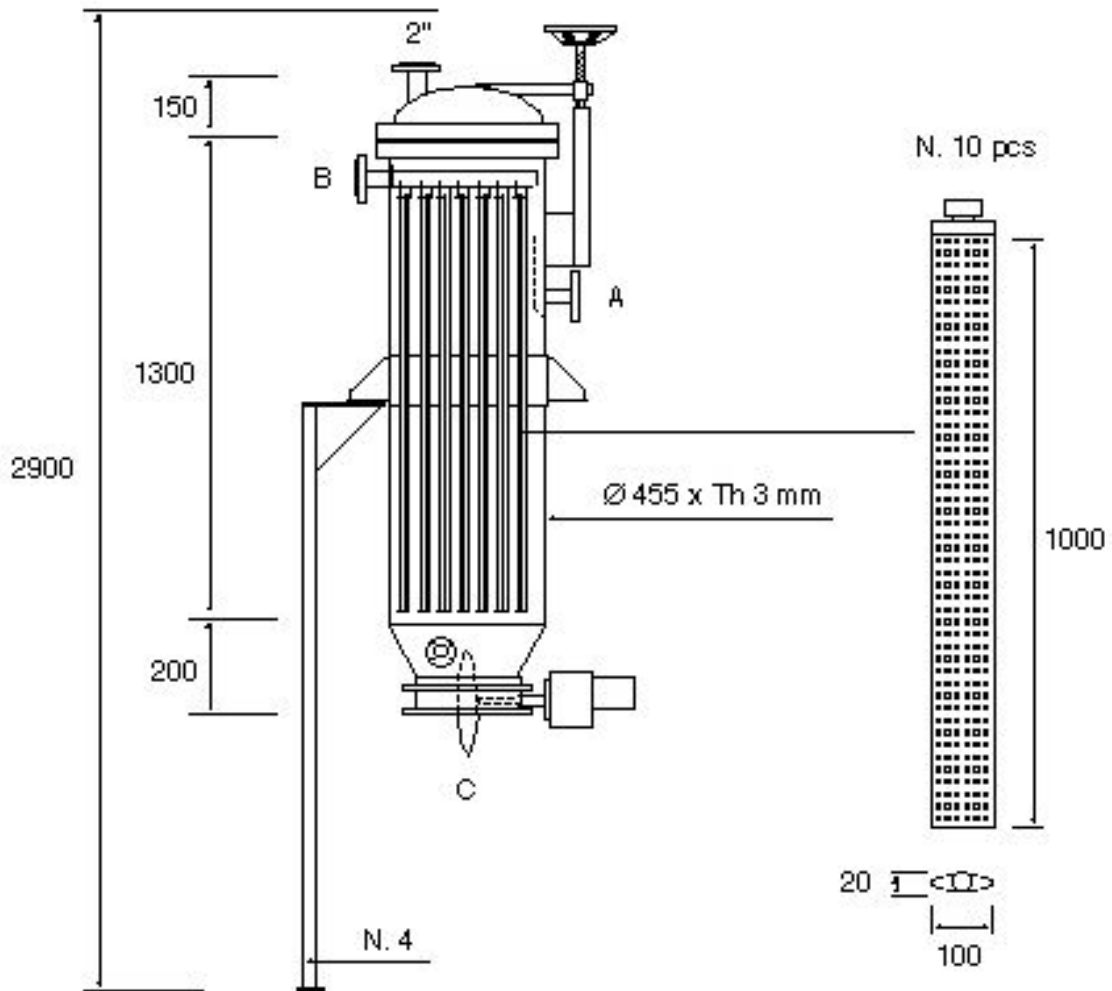


COPRINOX

FILTER

Code n° FX 002 0291 Location ref: 10 T1



FILTERING SURFACE m² <u>2,1</u>	SHELL SIDE	JACKET/COIL SIDE
Design Pressure KG/cm2	6	
Design Temperature °C	164	
Material	AISI 316	
FILTER TYPE: <u>Candle filter</u>		
Cake volume liters: <u>250</u>	Installed power HP: _____	
Filtering elements n° <u>10</u> Thickness mm: _____	Drive speed RPM: _____	
ANCC or ISPESL certification: <u>NOT</u>	NOZZLE DIMENSIONS	
Availability in stock n° <u>01</u> units	Pos	Service
MANUFACTURER: <u>AMIFILTER</u>	A	Pulp inlet
<input checked="" type="checkbox"/> USED <input type="checkbox"/> USED RECONDITIONED <input type="checkbox"/> UNUSED	B	Light liquid outlet
	C	Product outlet
	D	
	E	
	Size inch.	1"1/2
WEIGHT (approx) Kg _____	NOTE _____	