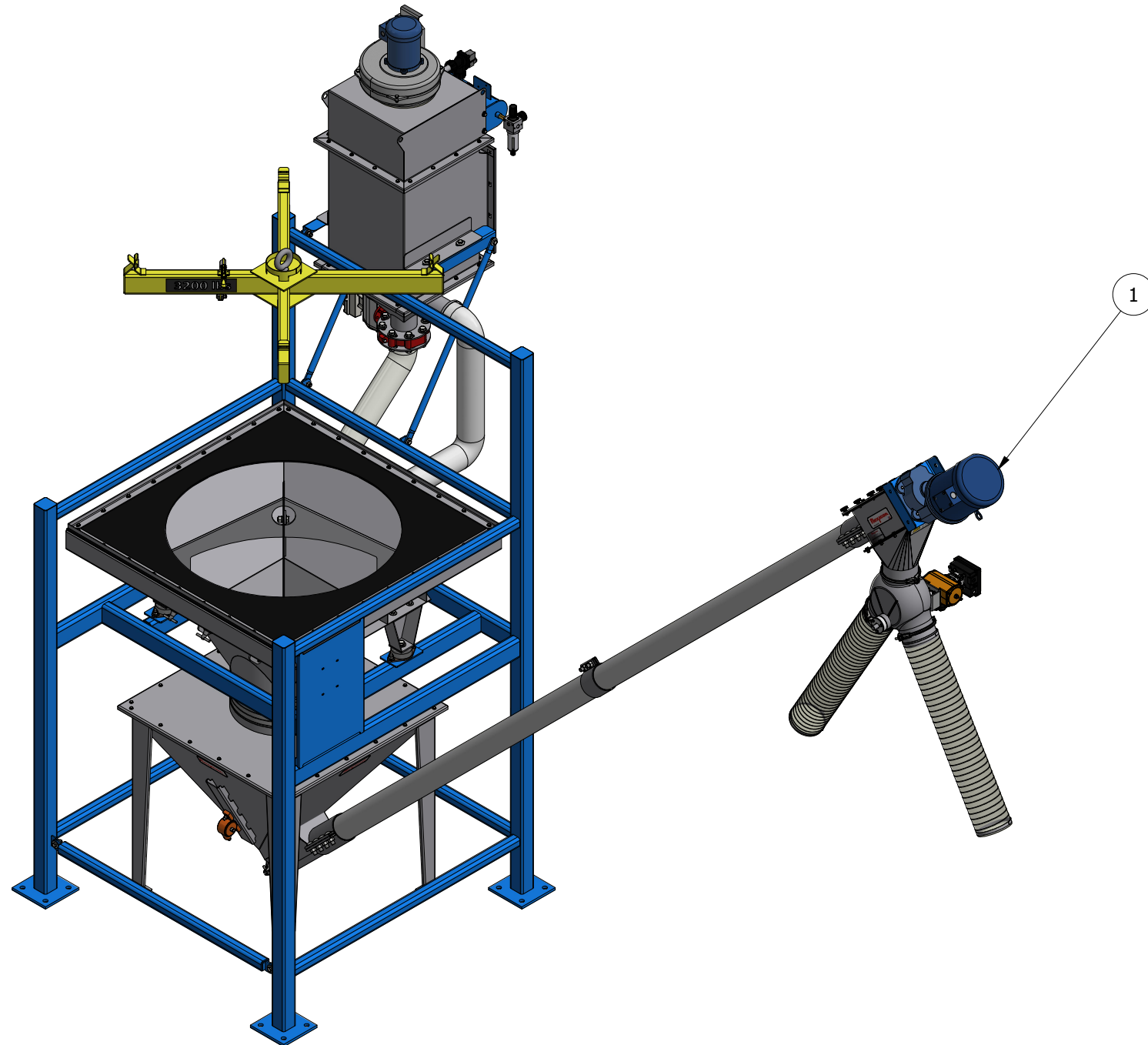



ITEM	ITEM QTY	DOC NUMBER	ITEM DESCRIPTION
1	1	TFC-00294566	ARRANGEMENT- 98297- SYSTEM 01



ALL DIMENSIONS SHOWN HEREIN ARE DUAL UNITS, MILLIMETERS [INCHES], UNLESS OTHERWISE SPECIFIED.

**CERTIFIED DRAWING**  
 This document is the finalized equipment layout and represents the material handling system Flexicon Corporation is supplying.

CUSTOMER: <b>GREEN GRO</b>		 2400 Emrick Boulevard Bethlehem, PA 18020-8006 USA Tel: 1-888-FLEXICON Tel: 1-610-814-2400 Fax: 1-610-814-0600	
CUSTOMER P.O.:	QUOTE No: TFC2021-001042	Flexicon Corporation www.flexicon.com	
The information embodied in this drawing, including equipment designs and process concepts, are strictly confidential and proprietary to Flexicon Corporation. This document shall not be disclosed or submitted to, nor shall any designs or concepts included herein be shared with any third party without the prior written consent of Flexicon Corporation. Flexicon Corporation reserves all manufacturing, patent, copyright and other proprietary rights to this drawing. All information contained herein are copyright © Flexicon Corporation 1999-2021. All rights reserved.		TITLE: <b>GENERAL ARRANGEMENT- 98297</b>	
APPROVED BY: alefevre	APPROVED DATE: Jun 24 2021	SCALE: 1 : 25	
DRAWN BY: srissmiller	DATE: Jun 24 2021	SALES ORDER No: 98297	
DRAWING No: TFC-00294646	REV B	SHEET 1 OF 1	