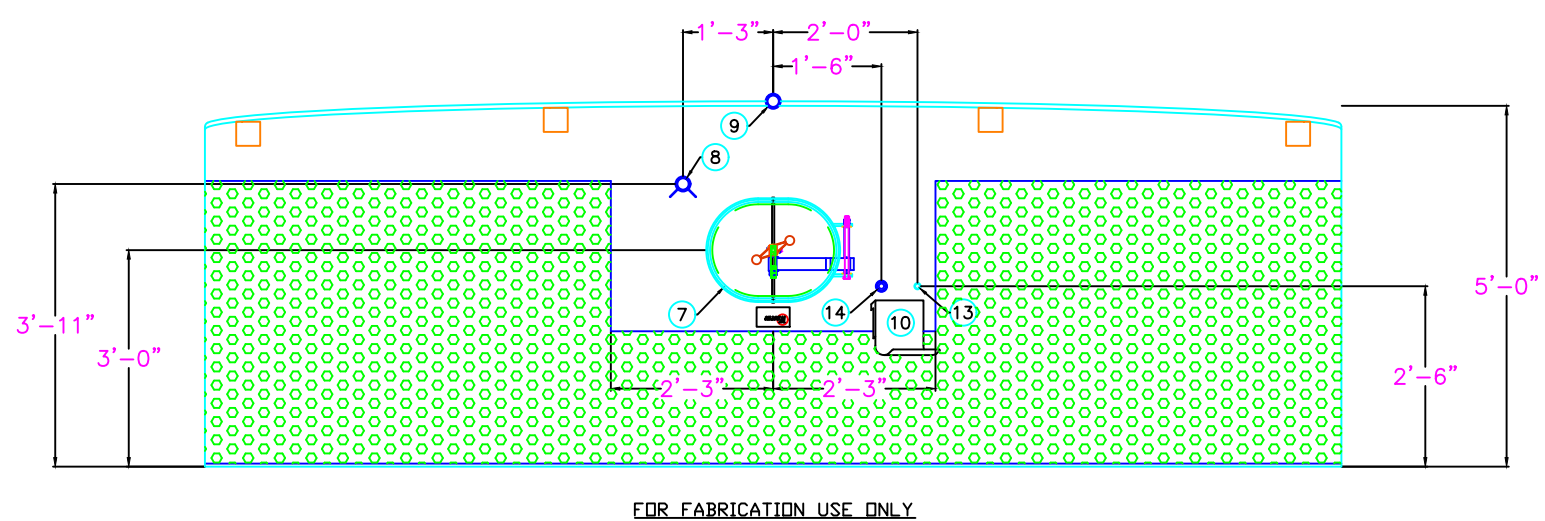
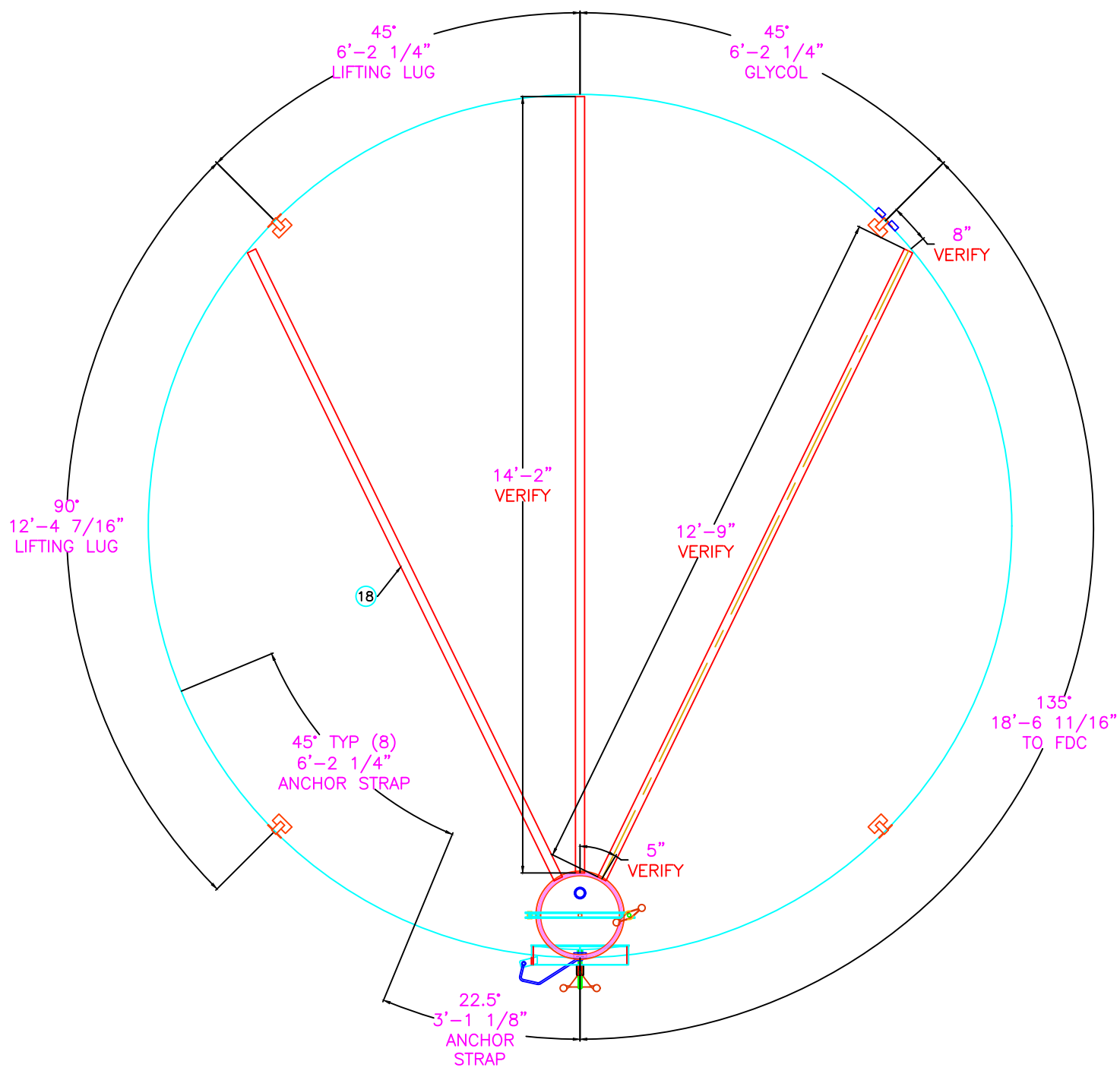




DRAWN BY: KHK 12/31/19
 APPROVED BY:
 JOB NUMBER: T19101
 REVISION DATE: 01/02/19 REV. A
 DRAWING VIEW: VIEW PLOT SCALE: PLOT FILE: FILE

FREE FLOW WINES
ONE (1) 26,383 GALLON TANK
15'-9" DIA. x 18'-0" TALL
TRUNCATED TOP & FLAT SLOPING FLOOR
304 - 2B STAINLESS STEEL

ITEM	QTY	PARTS DESCRIPTION
1	1	12 GA TRUNCATED TOP w/ 12" RISE (FRONT)
2	1	18" TOP MANWAY w/ 6" RING
3	1	2" TRI CLOVER VENT IN TOP DOOR
4	1	12 GA FLAT SLOPING FLOOR (1/2" PER FT)
5	4	12 GA TANK BODY
6	3	19 GAUGE DIMPLE JACKET (250 PSI TESTED)
7	1	16" x 20" OVAL RACKING DOOR
8	1	2" TRI CLOVER RACKING PORT
9	1	2" TRI CLOVER DRAIN
10	1	TEMP HOOD
11	3	1-1/2" HALF COUPLING FOR GLYCOL INLET
12	3	1-1/2" HALF COUPLING FOR GLYCOL OUTLET
13	1	1/2" THERM WELL x 12" LONG w/ GUSSET
14	1	1" TRI CLOVER FOR SAMPLE PORT
15	1	12" STAINLESS STEEL BASE
16	4	LIFTING LUG
17	8	ANCHOR STRAP
18	3	ROOF SUPPORTS (2" x 4" x .120 WALL WITH CAPPED ENDS)

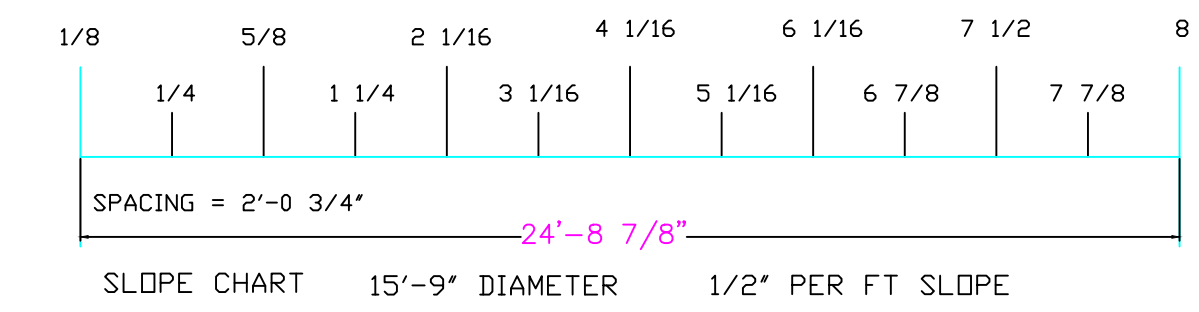
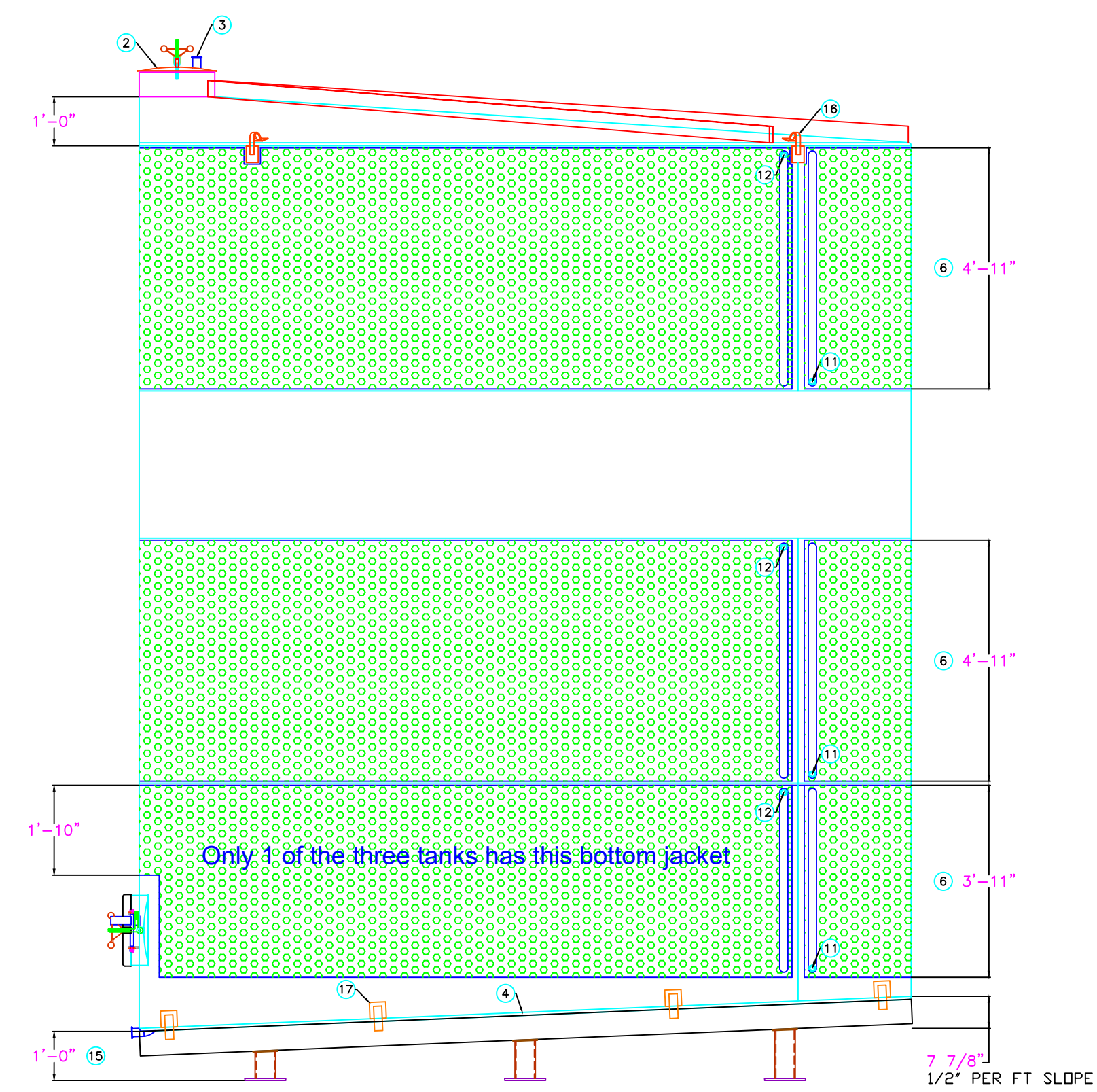
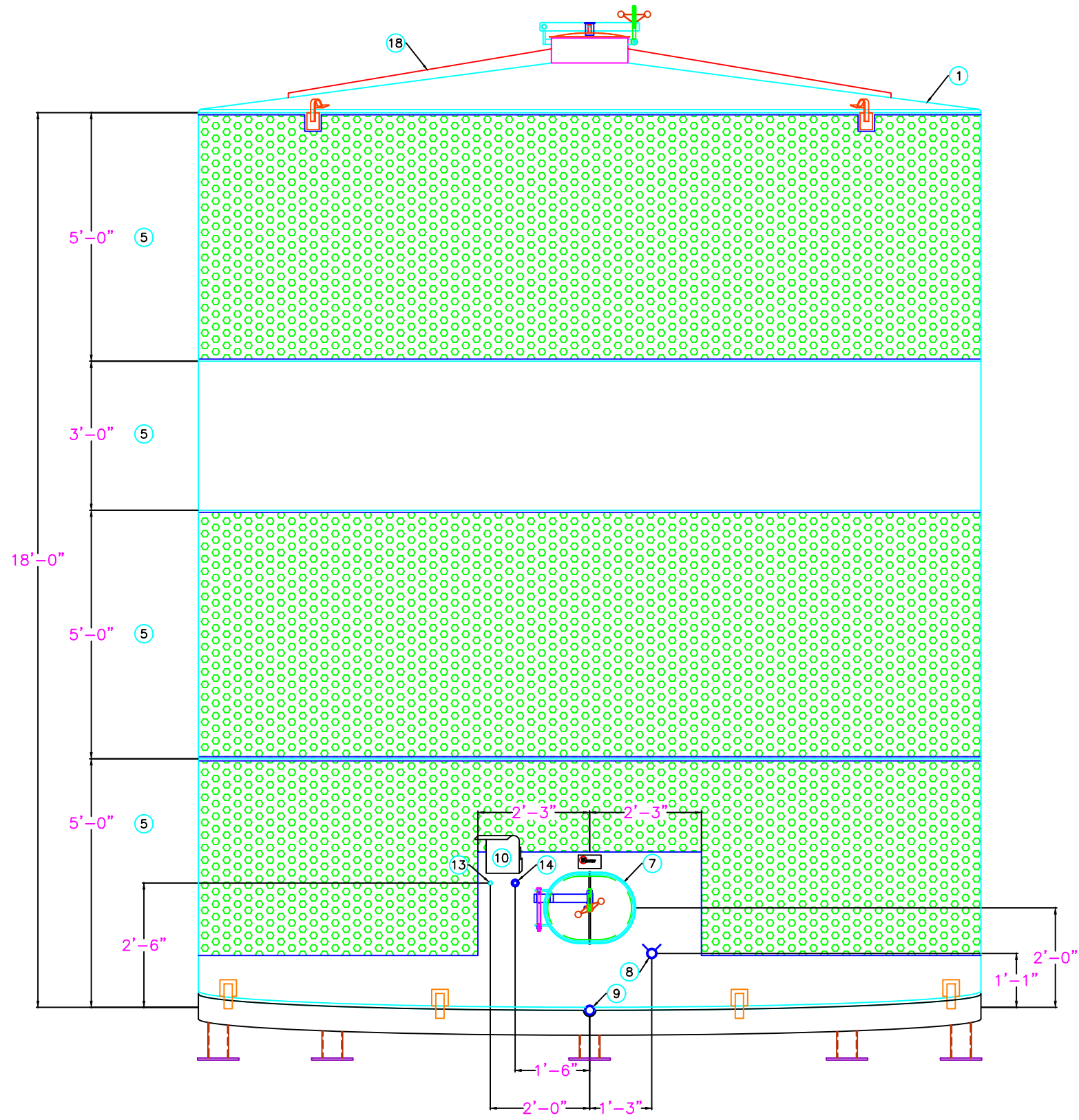


TANK GALLONAGES

GALLONS PER INCH	121.45
GALLONS PER FOOT	1,457.42
GALLONS IN TOP	536.48
GALLONS IN BODY	25,277.07
GALLONS IN SLOPE	569.30
TOTAL GALLONS	26,382.86
WINE WEIGHT	244,041.41

CIRCUMFERENCE MEASUREMENTS

FULL CIRCLE	49'-5 3/4"
1/2 CIRCLE	24'-8 7/8"
1/4 CIRCLE	12'-4 7/16"
1/6 CIRCLE	8'-2 15/16"
1/8 CIRCLE	6'-2 1/4"
1/12 CIRCLE	4'-1 1/2"
1/16 CIRCLE	3'-1 1/8"



PROPRIETARY DATA

The data described and illustrated in this document, except those items which are vendor parts, has been developed by, and is the property of, THE BELL CORPORATION, inc. (dba: WESTEC TANK & EQUIPMENT CO)

Disclosure, use, reproduction or manufacture of its contents, or any part, feature, design, function or process shall not be made unless written consent thereto is granted by BELL CORPORATION, inc.(dba: WESTEC TANK & EQUIPMENT CO)

CUSTOMERS APPROVAL

APPROVED BY: _____ DATE: _____

DRAWINGS SHOULD BE APPROVED WITHIN 5 DAYS ANY DELAY COULD RESULT IN A DELAY IN DELIVERY

BASE & ANCHORAGE ENGINEERING

DATE	AUTHOR(S)	ENGINEER	CONDITION
06/22/19	KHK	KELLIE (WELTY)	PENDING (SS15-9)