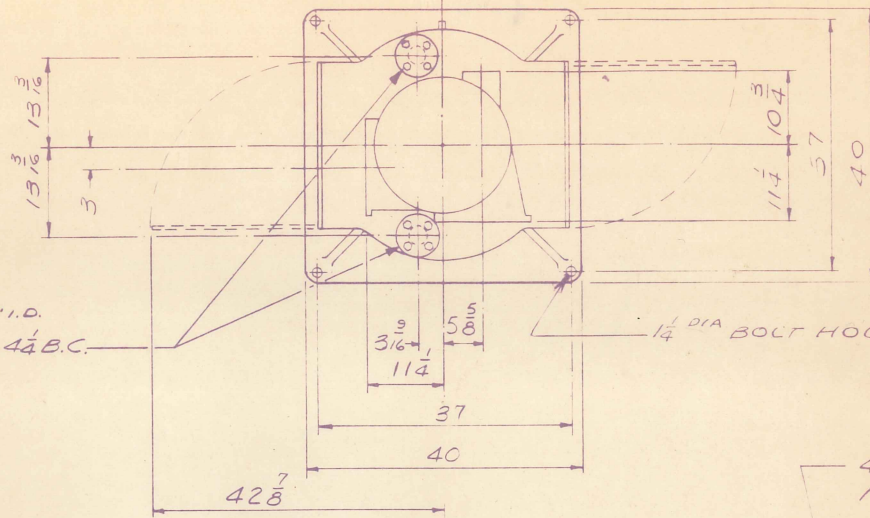


RIETZ MANUFACTURING CO.
SANTA ROSA, CALIF.

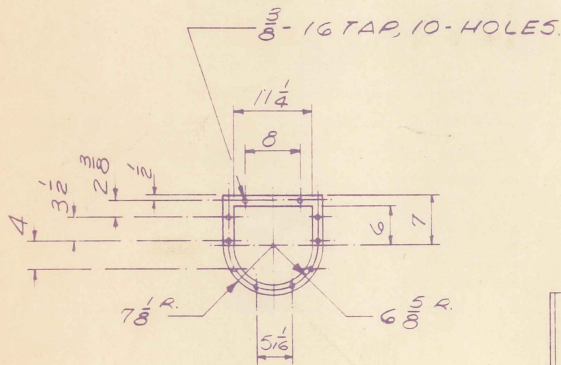
DWG N° A-3967-B
REVISED APRIL 30, 1962
SUPERSEDES APRIL 3, 1957

RIETZ DISINTEGRATOR
MODEL RD-18-3



VENTS: 5" O.D. x 3" I.D.
1/2"-13 TAP, 4 HOLES, 4 1/4" B.C.

4, 1 1/8" HOLES,
4 1/4" B.C.



INLET

THE DIMENSIONS SHOWN IN THIS DRAWING ARE CORRECT.

For Union Carbide Corp

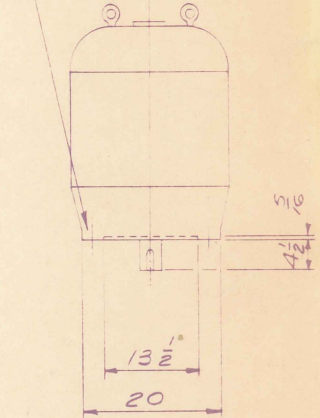
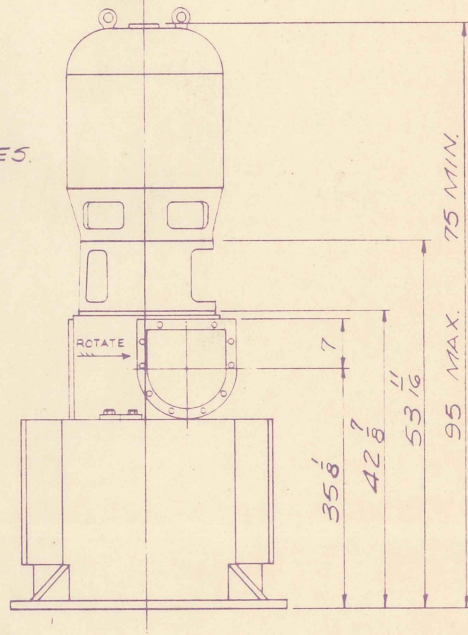
P. O. # E-C 10166

Our Job # 740066

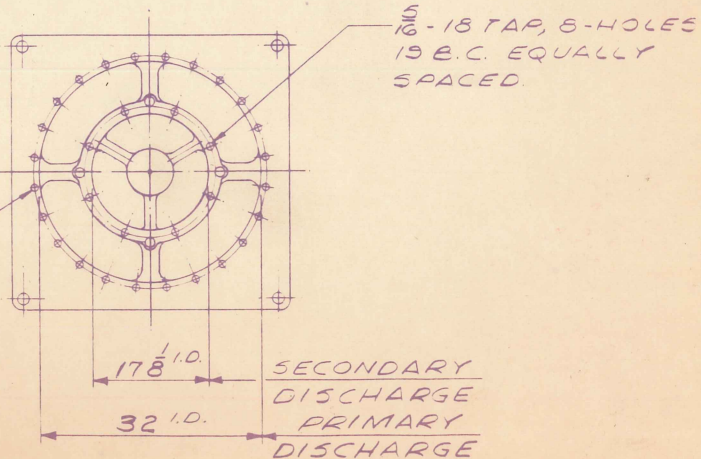
RIETZ MANUFACTURING CO.

Date 1-31-74 By A Helwan

10"-18 TAP, 24-HOLES
34 B.C. EQUALLY SPACED.



P-BASE MOTOR DIMENSIONS



SECONDARY DISCHARGE
PRIMARY DISCHARGE

SPECIFICATION #241-935-1128-6
EQUIPMENT # TAG 498 and TAG 505