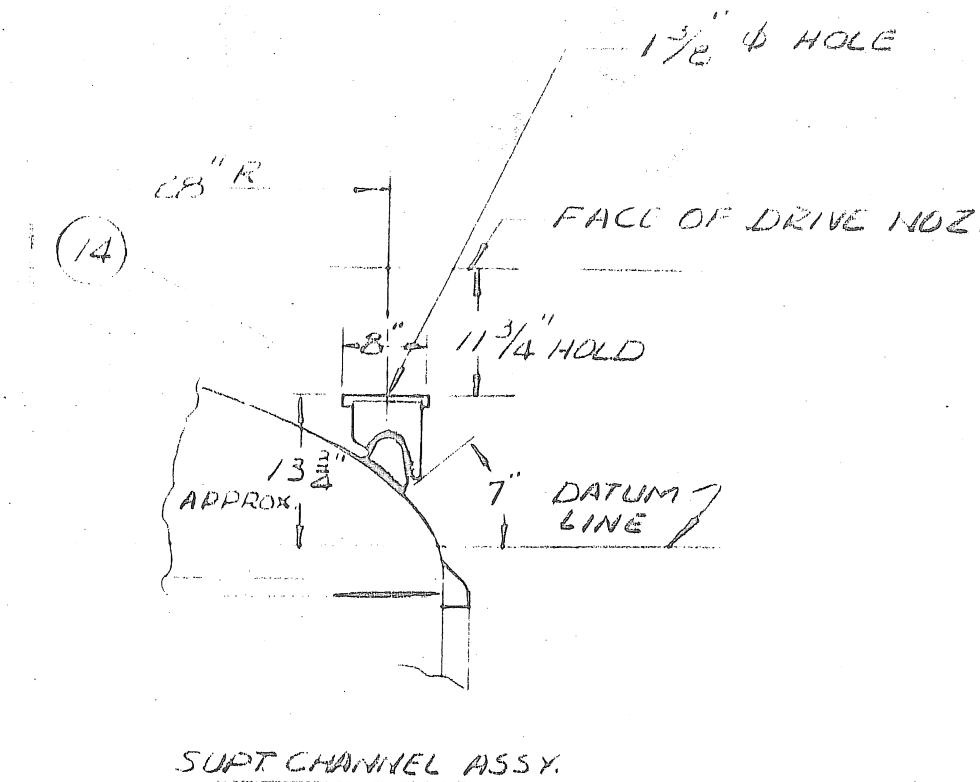
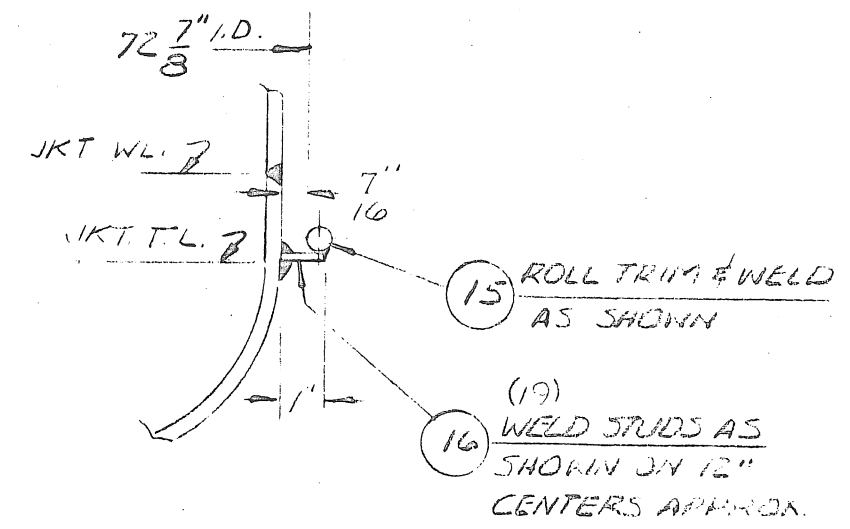


REF NO	NO REQ'D	PART NO.	PER DWG. NO.	DESCRIPTION
1	1	3102710	3118801	HEAD, TANK, TOP SE. 66" I.D.
2	1	3102709	3118801	HEAD, TANK, BOT SE. 66" I.D.
3	1	3133429	3133424	SHELL, TANK, 11/16" x 56 x 209 1/2" LG
4	1	3122461	3122450	HEAD, JKT. ASME, F&D 72" O.D.
5	1	3120790	3120701	SEALER
6	1	3133472	3133466	SHELL, JKT. 3/8" x 65" x 225" LG
7	1	3105120	3105119	COLLAR, FORGED 30"
8	5	1100304	---	NOZ. 4"
9	2	1100308	---	NOZ. 8"
10	1	3106071	3106070	DIAPH. ASSY.
11	6	3106376	---	LUG, STL. TRI-POD SUPT.
12				
13	9	3118136	---	LUG, HOIST
14	3	3115013	---	SUPPORT CHAN. ASSY
15	1	---	THIS DWG	RING, ROD 1/2" DIA. x 230 1/2" HRS.
16	25	3202998	3202997	STUD, NELSON 1" LG
17	1	---	THIS DWG	ANGLE, STL. 1/4" x 3" x 2" x 235 3/4" LG
18	1	---	" "	RING, ROD 1/2" DIA x 238 3/4" HRS.
19	1	---	" "	RING, ROD 1/2" DIA x 66" LG HRS.
20	1	1603140	---	CPLG. 1/2"-3000*
21	1	1603017	---	PLUG 1/2"
22	2	1130243	---	CPLG. WITH BAF. 1 1/2"
23	2	1130041	---	AGIT. NOZ. 1 1/2"
24	4	1130201	---	CPLG WITH BAF. 2"
25	1	---	SH# 3	COV ASSY. w/12"x16" M.M. & 4" SIGHT GLASS 30"
26	4	3103235	---	CPLG. LEG. 3"
27	4	---	SH# 6	SUPTS. SIDE W/BACK PL
28	3	1600416	---	PLUG, 2"
29	1	3107037	---	NAMEPLATE ASSY.
30	2	---	---	NAMEPLATE (MONSANTO)
31	2	3109644	---	CLEAN-OUT ASSY. 6"-150*
32	2	3107645	---	PAD, HAND HOLE 6"



DEV. LGTMS

(1) ONE CUSTOMER NAMEPLATE ATTACHED BY WIRE TO LARGEST NOZZLE, TO BE AFFIXED TO OUTSIDE OF INSULATION IN FIELD



SEE SH# 2 FOR VESSEL DWG.

BASE MATERIAL		
VESSEL	SA 285" GRB" F&D.	
JACKET	SA 515 GR" 65" H&D.	
SEALER	" " " " "	
THICKNESSES	TANK	JKT.
HD. - TOP	3/4"	---
HD. - BOT.	11/16"	1/2"
SHELL	11/16"	3/8"
SEALER	---	3/8"
DESIGN & INSPECTION		
SPECIFICATION	TANK	JKT.
CODE DESIGN	YES	YES
INS. INSP. & STAMP	YES	YES
DESIGN PRESS. PSI	100	90 OR*
	Δ OR FV	90 W/FV
DESIGN TEMP °F	650	350

PAINT NOTE:
 SANDBLAST EXTERIOR OF TANK IN ACCORDANCE WITH SEPC-SP-10-63T (NEAR WHITE BLAST CLEANING) & PAINT WITH ONE COAT OF CARBO-ZINC NO. 11-GRAY PRIMER TO A DRY FILM THICKNESS OF 3 MILS, PER K13 STD. 1300

GLASS NOTE

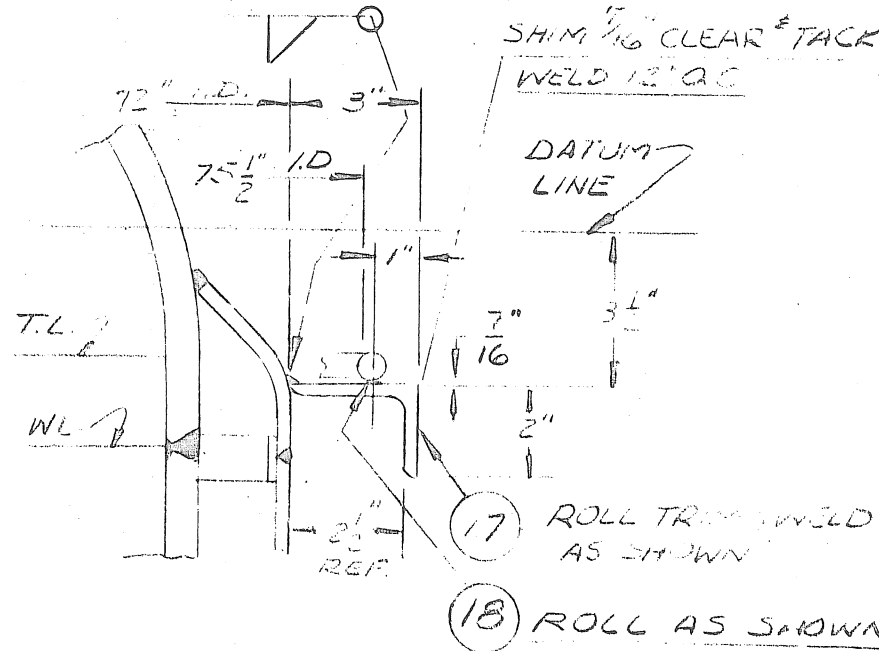
GLASS THICKNESS SHALL BE IN ACCORDANCE WITH SPECIFICATION STD. 2110 AS MODIFIED PER 9/N # 219 REV.

BOT. JKT. INSUL. RING

*NOTE: -LAP NOZZLES 8" & SMALLER

CUSTOMER SPECIFICATIONS

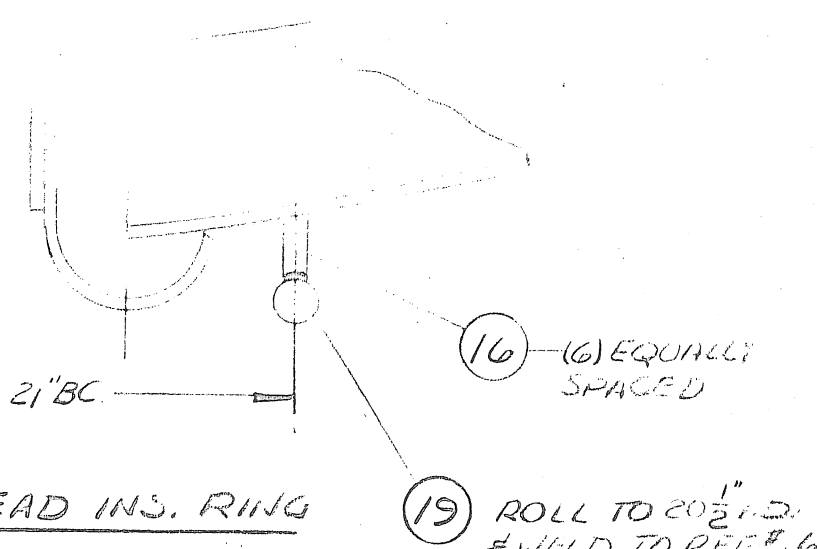
- (4/6A) 1000 GAL JACKETED REACTOR - D35 STD 315
- (10/6A) NAMEPLATE DETAILS - D31 STD 31
- (8/68) INORGANIC ZINC K1.3 STD.1300
- (8/66) LEG & LUG SUPPORT D3.5 STD 340, OPTION B
- (9/66) INSULATION SUPPORT & ATTACHMENT RING D3.5 STD. 40
- (8/66) SPECIAL PURPOSE NOZZLES D3.5 STD 341, OPTION A
- (1/70) GLASS LINED VESSELS FOR SEVERE SERVICE D3.5 STD 2110 (MODIFIED)



TOP JKT. INSUL. RING

MARK OR TAG: EQUIP. #26-0032

MONSANTO COMPANY
 ST. LOUIS, MISSOURI
 REACTOR 1000 GAL.



JKT. HEAD INS. RING

RADIOGRAPH	
HEAT TREAT SPEC. NO.	
SEE OPERATING LIMITATIONS & INSTALLATION INSTRUCTIONS IM 81-100	
INSPECTION BY CUSTOMER	
30#/FT ² WIND LOAD WITH 0.65 SF ZONE 2 SEISMIC LOAD	
Δ FV - FULL VACUUM W/FV - WITH FV INTANG	
VESSEL FINISH & ACCESSORY MAT'L'S.	
VESSEL 3319/3319 *	
ACCESSORIES 3319	
PLUGS TANTALUM	
CEMENT FURAN	
GASKETS CRT	REFERENCES
PAINT SEE NOTE	R168-1827
	C/N #234
	C/N #219
CAP. RATED 1000 - GAL	C/N #219 REV
CAP. FULL 1200 - GAL	
WT. UNJKTED 5600	
WT. JKTED 8200	
	PC-175
TITLE 1000 - GALLON REACTOR 66" I.D. X 60" JCWVA	
CUSTOMER MONSANTO CO.	
ADDRESS ST. LOUIS, MISSOURI	
CONSIGNEE J.F. QUEENY PLANT	
ADDRESS ST. LOUIS, MISSOURI	
CUST. ORDER NO. AT-925	

LTR	REVISION	APP	DATE

THE PFAUDLER CO.
 a division of RITTER PFAUDLER CORPORATION
 ROCHESTER, NEW YORK
 plants in ELYRIA, OHIO and ROCHESTER, NEW YORK

SCALE CO	NO. REQ'D. (1)
DRAWN RL DATE 2-22-71	R171-0163
CHECKED MR DATE 2-25-71	
APPROVED & CERTIFIED R.H. BEHN DATE 2-26-71	SHEET 1 OF 6

ALL TANK NOZZLES FURNISHED WITH LOOSE SPLIT FLG. 150 LB. ANS RILLING

WORK FROM DIMENSIONS - DO NOT SCALE SEE PLAN VIEW FOR ORIENTATION

THIS DOCUMENT IS THE PROPERTY OF THE PFAUDLER CO. IT IS TO BE USED ONLY FOR THE PURPOSE FOR WHICH IT WAS LENT AND MUST NOT BE REPRODUCED WITHOUT WRITTEN PERMISSION OR USED IN ANY WAY DETRIMENTAL TO THE INTEREST OF THIS COMPANY. IT IS SUBJECT TO RETURN UPON REQUEST