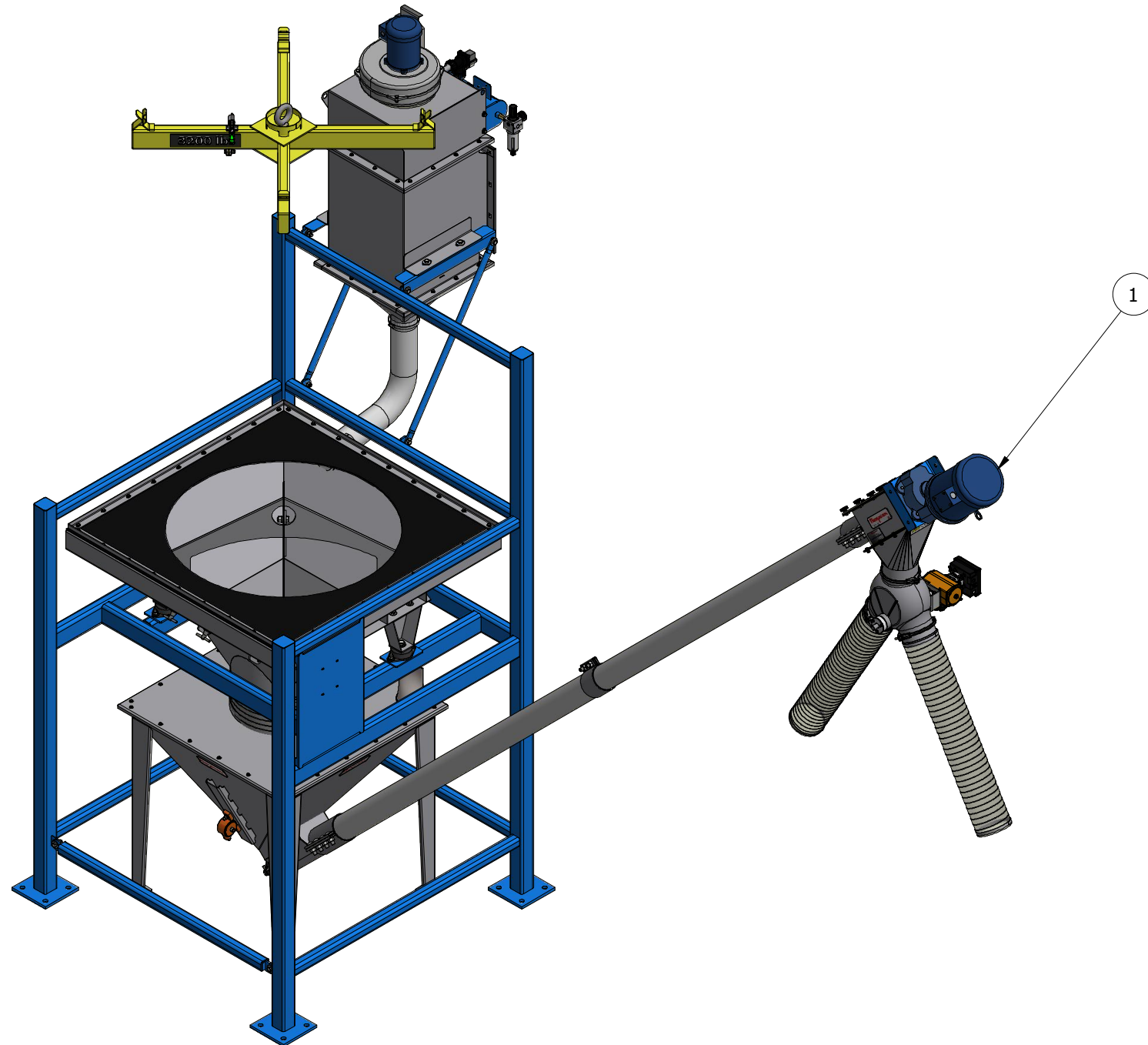



ITEM	ITEM QTY	DOC NUMBER	ITEM DESCRIPTION
1	1	TFC-00294566	ARRANGEMENT- 98297- SYSTEM 01



ALL DIMENSIONS SHOWN HEREIN ARE  
DUAL UNITS, MILLIMETERS [INCHES],  
UNLESS OTHERWISE SPECIFIED.

CUSTOMER APPROVAL	
<input type="checkbox"/>	<b>APPROVED</b> Documents are approved as submitted. Fabrication can proceed.
<input type="checkbox"/>	<b>APPROVED AS NOTED</b> Documents are approved with changes noted on documents. Fabrication can proceed.
<input type="checkbox"/>	<b>REVISE AND RESUBMIT</b> Documents are NOT approved as submitted. Revise and resubmit documents.
SIGN: _____	
DATE: _____	

CUSTOMER: <b>GREEN GRO</b>	
CUSTOMER P.O.:	QUOTE No: <b>TFC2021-001042</b>
The information embodied in this drawing, including equipment designs and process concepts, are strictly confidential and proprietary to Flexicon Corporation. This document shall not be disclosed or submitted to, nor shall any designs or concepts included herein be shared with any third party without the prior written consent of Flexicon Corporation. Flexicon Corporation reserves all manufacturing, patent, copyright and other proprietary rights to this drawing. All information contained herein are copyright © Flexicon Corporation 1999-2021. All rights reserved.	

		2400 Emrick Boulevard Bethlehem, PA 18020-8006 USA Tel: 1-888-FLEXICON Tel: 1-610-814-2400 Fax: 1-610-814-0600	
TITLE: <b>GENERAL ARRANGEMENT- 98297</b>			
APPROVED BY:	APPROVED DATE:	SCALE:	<b>1 : 25</b>
DRAWN BY: jMeisinger-MacDonald	DATE: Apr 29 2021	SALES ORDER No:	<b>98297</b>
DRAWING No: <b>TFC-00294646</b>	REV <b>A</b>	SHEET	<b>1 OF 1</b>