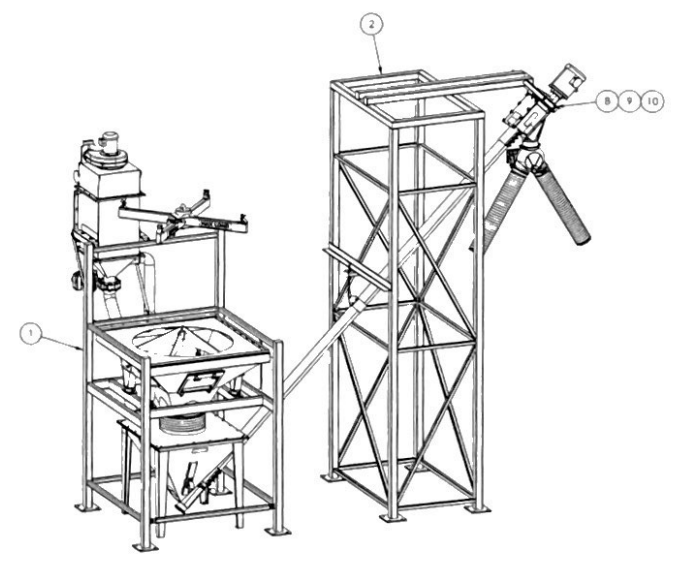
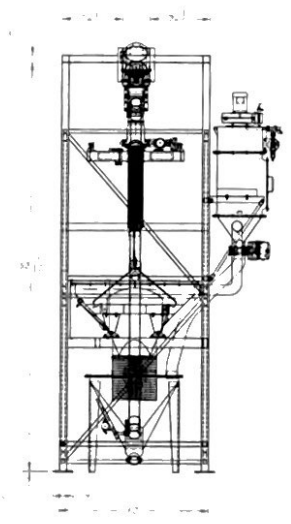
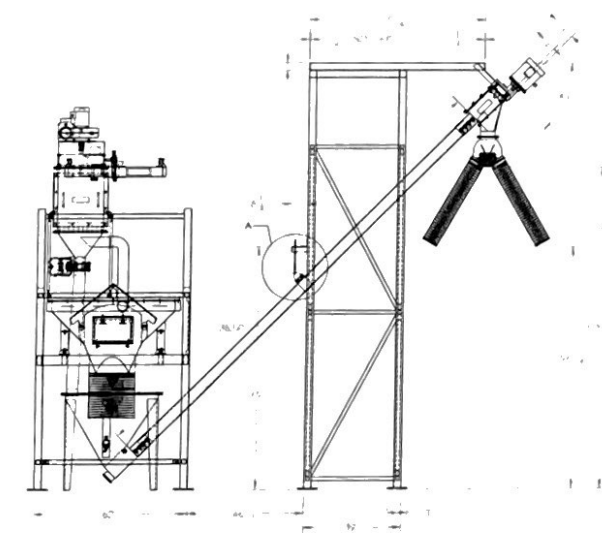


DETAIL A
SCALE 1/8



FLEXICON CONVEYOR ASSEMBLY BOM Table		
ITEM NO	QTY	DESCRIPTION
1	1	THC 0009AS6A-Cent
2	1	DRIVE STAND
3	1	CONVEYOR HANGER BRACKET
4	1	407 K-43
5	1	HR91A-32
6	2	RR14-A-09
7	5	9546-A031
8	8	90-2A033
9	4	95462A033
10	4	9286SA714

Alexis Ceja 10/8/21

APPROVED FOR CONSTRUCTION
 DATE: 10/8/21
 DRAWN BY: Alexis Ceja
 CHECKED BY: [Signature]
 MATHEWS MECHANICAL
 1715
 GREEN GRO
 FLEXICON CONVEYOR
 ASSEMBLY
 D Q14761-01
 SCALE: 1/8" = 1'-0"