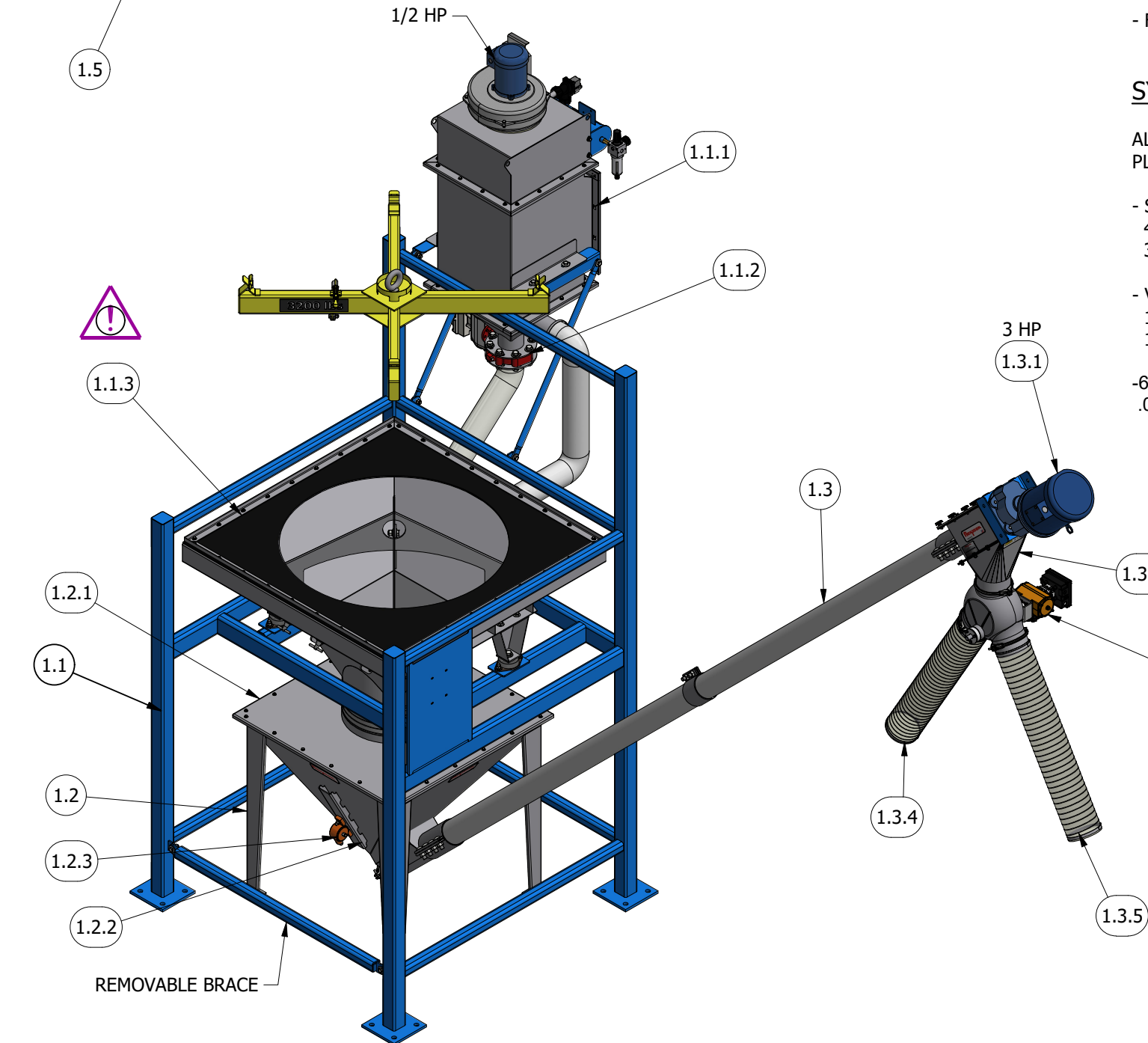


CONTROL PANEL REQUIRES FIELD MOUNTING AND EXTERNAL WIRING. CONTROL PANEL SHOWN IS ONLY A REPRESENTATIVE IMAGE; SIZE AND SPECIFICS WILL BE FINALIZED DURING THE ELECTRICAL ENGINEERING PROCESS. IF CUSTOMER HAS ANY CONCERNS REGARDING FIELD MOUNTING THE CONTROL PANEL (E.G. SIZE OR RESTRICTIONS), PLEASE CONTACT FLEXICON TO DISCUSS THIS ISSUE.



**SYSTEM ELECTRICAL REQUIREMENTS:**

- SYSTEM OPERATING VOLTAGE:  
460 VAC, 3 PH, 60 Hz
- FOR VIBRATOR:  
24 VDC
- FOR PROXIMITY LEVEL SWITCH:  
20-250 Volts AC/DC, 250 mA MAX
- FOR BIN VENT AND DIVERTER SOLENOID VALVES:  
24VDC
- FOR DRIVE MOTORS:  
460 VAC, 3 PH, 60 Hz

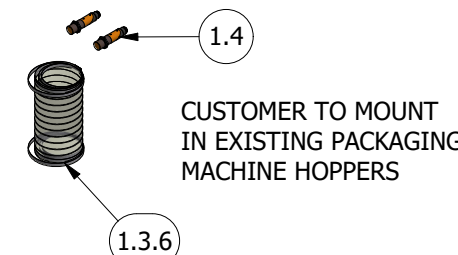
**SYSTEM AIR REQUIREMENTS:**

ALL PNEUMATIC SYSTEMS REQUIRE CLEAN, DRY PLANT AIR DELIVERED AS FOLLOWS:

- SINGLE BIN VENT:  
4.25 L/PULSE [0.15 CF/PULSE], 5.5 BAR [80 PSIG]  
3/8 NPTF REGULATOR
- VIBRATOR:  
156-312 L/MIN [5.5-11 CFM], 4.1 BAR [60 PSIG]  
1/4 NPTF REGULATOR
- 6" WYE DIVERTER:  
.05 CF/Cycle, 70 PSIG, 3/8" NPTF REGULATOR.

**NOTES:**

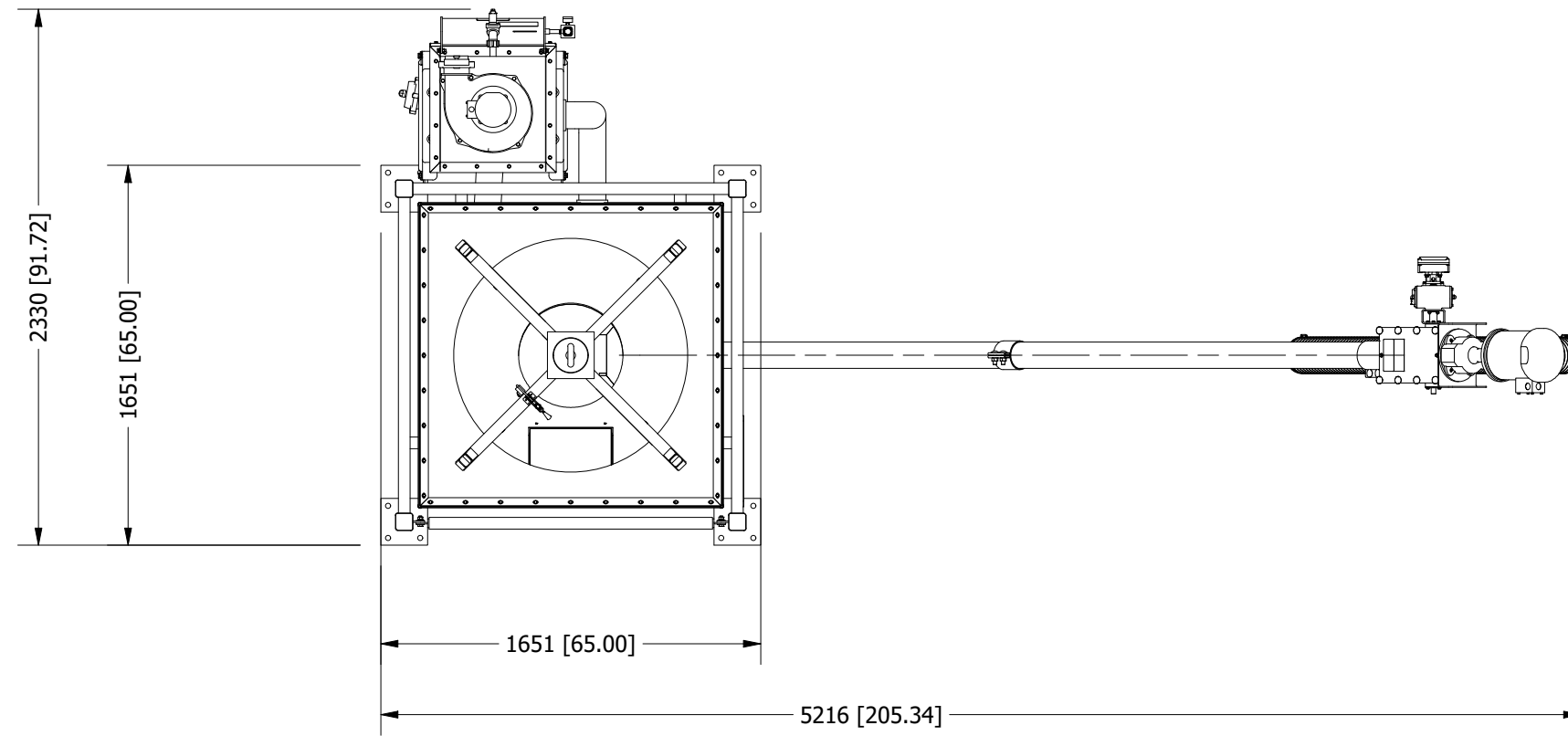
- CUSTOMER TO CUT CONVEYOR TO LENGTH IN FIELD TO SUIT.
- CUSTOMER TO SUPPORT CONVEYOR PER INSTALLATION AND OPERATION MANUAL.
- CUSTOMER TO USE M12 CLASS 8.8 [Ø1/2 GRADE 5] HARDWARE TO ANCHOR HOPPER TO FLOOR.
- THE BULK BAG DISCHARGER HALF-FRAME SHOWN IS DESIGNED FOR "BULK BAGS" THAT ARE 914 [36] SQ. EMPTY (AND BULGE TO 1219 [48] SQ. WHEN FULL).
- THE BULK BAG LIFTING FRAME IS RATED FOR 1451.5 kg [3200 LB] BAG MAXIMUM.
- CUSTOMER TO USE M20 CLASS 8.8 [Ø3/4 GRADE 5] (MINIMUM) HARDWARE TO ANCHOR BULK BAG DISCHARGER FRAME TO FLOOR. FLEXICON RECOMMENDS THAT CUSTOMER CONSULTS WITH A CIVIL ENGINEER OR LOCAL PROFESSIONAL ENGINEER TO EVALUATE FLOOR SUBSTRATES AND SPECIFY THE TYPE AND DEPTH OF FLOOR ANCHORS.
- THIS IS AN UNGUARDED AREA WHICH PERMITS ACCESS TO POTENTIALLY HAZARDOUS ELEMENTS OF THE EQUIPMENT. IT IS THE RESPONSIBILITY OF THE CUSTOMER AND END USER TO ENSURE THAT FINAL INSTALLATION OF THIS EQUIPMENT CONFORMS TO ALL APPLICABLE SAFETY REGULATIONS.



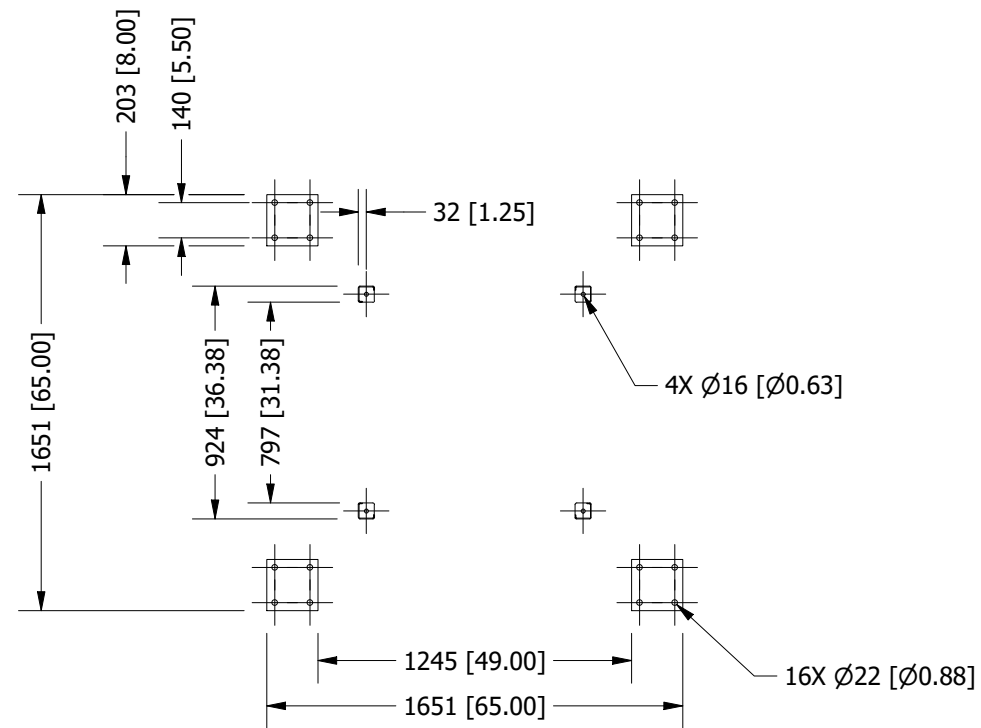
ALL DIMENSIONS SHOWN HEREIN ARE DUAL UNITS, MILLIMETERS [INCHES], UNLESS OTHERWISE SPECIFIED.

**CERTIFIED DRAWING**  
This document is the finalized equipment layout and represents the material handling system Flexicon Corporation is supplying.

|   |                                    |   |                               |
|---|------------------------------------|---|-------------------------------|
| CUSTOMER:<br><b>GREEN GRO</b>   |                                    | 2400 Emrick Boulevard<br>Bethlehem, PA 18020-8006<br>USA<br>Tel: 1-888-FLEXICON<br>Tel: 1-610-814-2400<br>Fax: 1-610-814-0600 |                               |
| CUSTOMER P.O.:  | QUOTE No:<br><b>TFC2021-001042</b> | TITLE:<br><b>ARRANGEMENT- 98297- SYSTEM 01</b>  |                               |
| The information embodied in this drawing, including equipment designs and process concepts, are strictly confidential and proprietary to Flexicon Corporation. This document shall not be disclosed or submitted to, nor shall any designs or concepts included herein be shared with any third party without the prior written consent of Flexicon Corporation. Flexicon Corporation reserves all manufacturing, patent, copyright and other proprietary rights to this drawing. All information contained herein are copyright © Flexicon Corporation 1999-2021. All rights reserved. |                                    | APPROVED BY:<br>alefevre  | APPROVED DATE:<br>Jun 24 2021 |
|   |                                    | DATE:<br>Jun 24 2021  | SCALE:<br>1 : 25              |
|   |                                    | DRAWN BY:<br>srissmiller  | SALES ORDER No:<br>98297      |
|   |                                    | DRAWING No:<br><b>TFC-00294566</b>  | REV<br>B                      |
|   |                                    |   | SHEET<br>1 of 3               |



↑ OPERATOR ACCESS




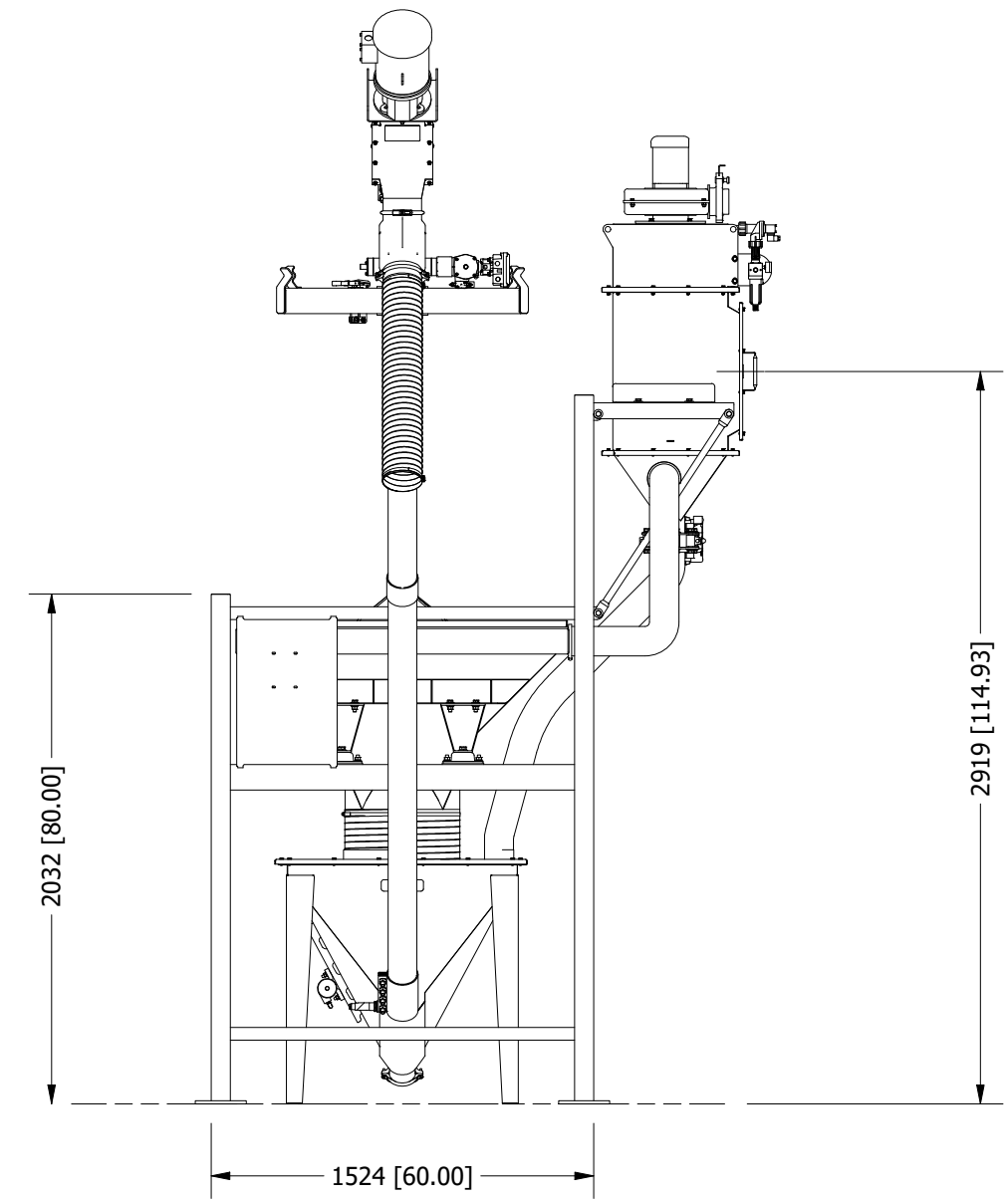
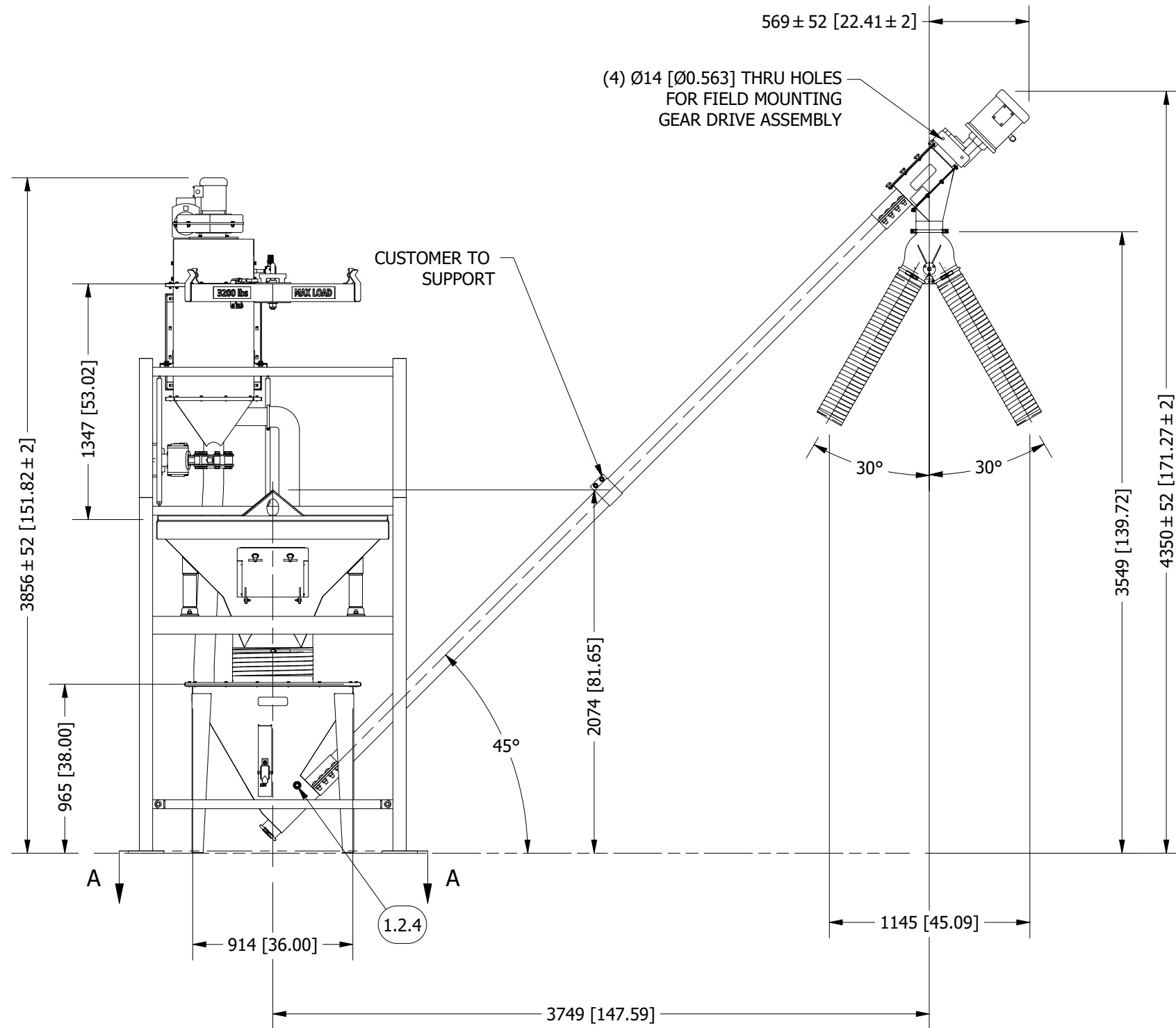
SECTION "A-A"  
SCALE = 1 : 30

ALL DIMENSIONS SHOWN HEREIN ARE DUAL UNITS, MILLIMETERS [INCHES], UNLESS OTHERWISE SPECIFIED.

FOOTPRINT MOUNTING DIMENSIONS ARE FOR REFERENCE ONLY. DUE TO FABRICATION TOLERANCES, ALL EQUIPMENT SHOULD BE LOCATED AND ANCHORED AT THE TIME OF INSTALLATION.

**CERTIFIED DRAWING**  
This document is the finalized equipment layout and represents the material handling system Flexicon Corporation is supplying.

|   |                               |   |  |
|---|-------------------------------|---|--|
| CUSTOMER:<br><b>GREEN GRO</b>   |                               |  2400 Emrick Boulevard<br>Bethlehem, PA 18020-8006<br>USA<br>Tel: 1-888-FLEXICON<br>Tel: 1-610-814-2400<br>Fax: 1-610-814-0600 |  |
| CUSTOMER P.O.:  | QUOTE No:<br>TFC2021-001042   | Flexicon Corporation<br>www.flexicon.com  |  |
| The information embodied in this drawing, including equipment designs and process concepts, are strictly confidential and proprietary to Flexicon Corporation. This document shall not be disclosed or submitted to, nor shall any designs or concepts included herein be shared with any third party without the prior written consent of Flexicon Corporation. Flexicon Corporation reserves all manufacturing, patent, copyright and other proprietary rights to this drawing. All information contained herein are copyright © Flexicon Corporation 1999-2021. All rights reserved. |                               | TITLE:<br><b>ARRANGEMENT- 98297- SYSTEM 01</b>  |  |
| APPROVED BY:<br>alefevre  | APPROVED DATE:<br>Jun 24 2021 | SCALE:<br>1 : 30  |  |
| DRAWN BY:<br>srissmiller  | DATE:<br>Jun 24 2021          | SALES ORDER No:<br>98297  |  |
| DRAWING No:<br>TFC-00294566   | REV<br>B                      | SHEET<br>2 OF 3   |  |



ALL DIMENSIONS SHOWN HEREIN ARE DUAL UNITS, MILLIMETERS [INCHES], UNLESS OTHERWISE SPECIFIED.

**CERTIFIED DRAWING**  
 This document is the finalized equipment layout and represents the material handling system Flexicon Corporation is supplying.

|   |                             |  |                               |
|---|-----------------------------|--|-------------------------------|
| CUSTOMER:<br><b>GREEN GRO</b>   |                             | 2400 Emrick Boulevard<br>Bethlehem, PA 18020-8006<br>USA |                               |
| CUSTOMER P.O.:  | QUOTE No:<br>TFC2021-001042 | Flexicon Corporation<br>www.flexicon.com                 |                               |
| The information embodied in this drawing, including equipment designs and process concepts, are strictly confidential and proprietary to Flexicon Corporation. This document shall not be disclosed or submitted to, nor shall any designs or concepts included herein be shared with any third party without the prior written consent of Flexicon Corporation. Flexicon Corporation reserves all manufacturing, patent, copyright and other proprietary rights to this drawing. All information contained herein are copyright © Flexicon Corporation 1999-2021. All rights reserved. |                             |  |                               |
| TITLE:<br><b>ARRANGEMENT- 98297- SYSTEM 01</b>  |                             | APPROVED BY:<br>alefevre                                 | APPROVED DATE:<br>Jun 24 2021 |
|   |                             | SCALE:<br>1 : 30   |                               |
| DRAWN BY:<br>srissmiller  | DATE:<br>Jun 24 2021        | SALES ORDER No:<br>98297                                 |                               |
| DRAWING No:<br>TFC-00294566   | REV<br>B                    | SHEET<br>3 OF 3  |                               |