

**BULK BAG STRAP TYPE:**

STANDARD CORNER LOOP

CROSS CORNER SEE SHEET 2

FULL SIDE SLEEVE

OTHER LOOP TYPE (PLEASE SKETCH)

**BULK BAG LINER TYPE:**

TUBULAR - ATTACHED

TUBULAR - UNATTACHED

NONE

FITTED - ATTACHED

FITTED - UNATTACHED

OTHER

**PLEASE INDICATE PRODUCT FLOW CHARACTERISTICS:**

FLOWS FROM BAG WITHOUT HELP ?

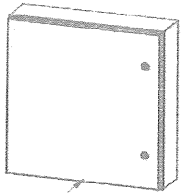
NEEDS HELP TO FLOW FROM BAG

<p><b>Flexicon</b> Flexicon Corporation www.flexicon.com</p>		<p>2400 Emmaus Boulevard Emmaus, PA 18020-8000 USA Tel: 1-800-4-A-FLEXICON Tel: 1-610-914-2400 Fax: 1-610-914-2400</p>	
<b>BULK BAG SPECIFICATIONS</b>			
DESIGNED BY	DATE	REVISED BY	DATE
Submitted	Aug 18 2020	REVISIONS	1 : 25
Checked by	Aug 18 2020	REVISED BY	Aug 15 2020
Approved by		REVISED BY	
SD-BF-09		REVISED BY	1 of 2

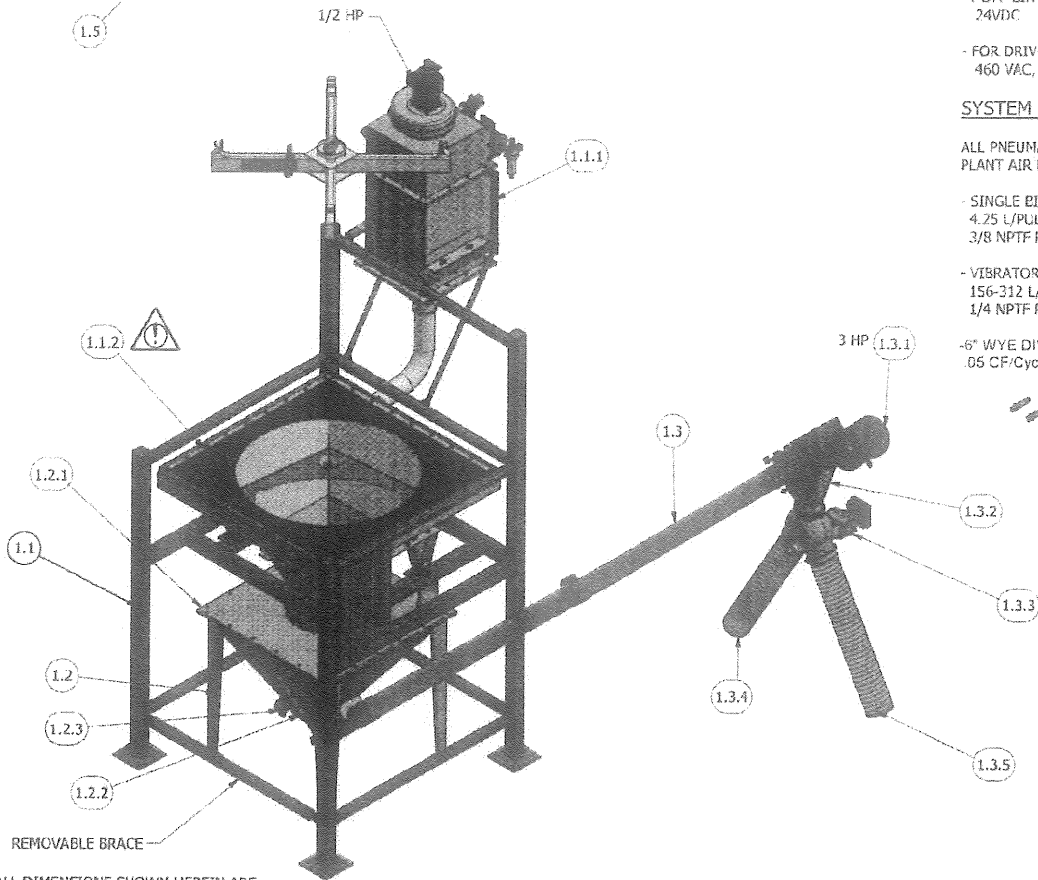
The information embodied in this drawing, including equipment configurations and process concepts, are strictly confidential and proprietary to Flexicon Corporation. This document shall not be disclosed or transmitted to, nor shall any designs or concepts included herein be shared with any third party without the prior written consent of Flexicon Corporation. Flexicon Corporation reserves all manufacturing, patent, copyright and other proprietary rights in this drawing. Information contained herein may be copyrighted by Flexicon Corporation. 1000-2000 lbs

ALL DIMENSIONS SHOWN HEREIN ARE DUAL UNITS, MILLIMETERS (INCHES), UNLESS OTHERWISE SPECIFIED.

- PLEASE GIVE DIMENSIONS WHEN BAG IS SUSPENDED.  
- FULL BULK BAG WEIGHT: 1000-2000 lbs



CONTROL PANEL REQUIRES FIELD MOUNTING AND EXTERNAL WIRING. CONTROL PANEL SHOWN IS ONLY A REPRESENTATIVE IMAGE; SIZE AND SPECIFICS WILL BE FINALIZED DURING THE ELECTRICAL ENGINEERING PROCESS. IF CUSTOMER HAS ANY CONCERNS REGARDING FIELD MOUNTING THE CONTROL PANEL (E.G. SIZE OR RESTRICTIONS), PLEASE CONTACT FLEXICON TO DISCUSS THIS ISSUE.



REMOVABLE BRACE

ALL DIMENSIONS SHOWN HEREIN ARE DUAL UNITS, MILLIMETERS (INCHES), UNLESS OTHERWISE SPECIFIED.

**SYSTEM ELECTRICAL REQUIREMENTS:**

- SYSTEM OPERATING VOLTAGE:  
460 VAC, 3 PH, 60 Hz
- FOR VIBRATOR:  
24 VDC
- FOR PROXIMITY LEVEL SWITCH:  
20-250 Volts AC/DC, 250 mA MAX
- FOR BIN VENT AND DIVERTER SOLENOID VALVES,  
24VDC
- FOR DRIVE MOTORS:  
460 VAC, 3 PH, 60 Hz

**SYSTEM AIR REQUIREMENTS:**

- ALL PNEUMATIC SYSTEMS REQUIRE CLEAN, DRY PLANT AIR DELIVERED AS FOLLOWS:
- SINGLE BIN VENT:  
4.25 L/PULSE [0.15 CF/PULSE], 5.5 BAR [80 PSIG]  
3/8 NPTF REGULATOR
  - VIBRATOR:  
156-312 L/MIN [5.5-11 CFM], 4.1 BAR [60 PSIG]  
1/4 NPTF REGULATOR
  - 6" WYE DIVERTER:  
.05 CF/Cycle, 70 PSIG, 3/8" NPTF REGULATOR.

**NOTES:**

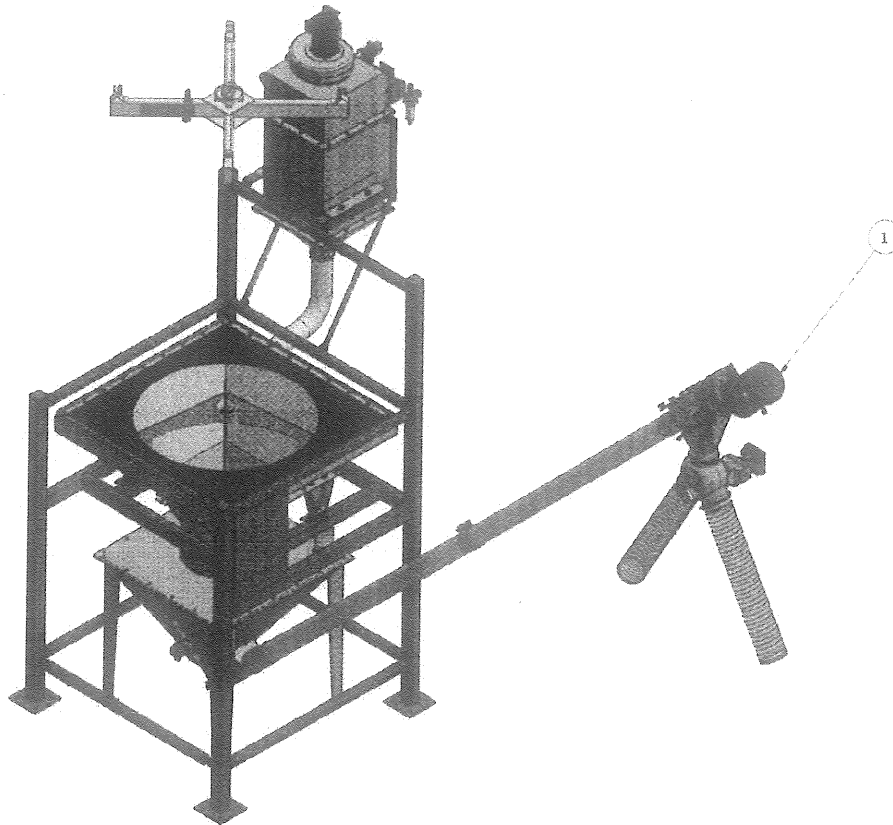
- CUSTOMER TO CUT CONVEYOR TO LENGTH IN FIELD TO SUIT.
- CUSTOMER TO SUPPORT CONVEYOR PER INSTALLATION AND OPERATION MANUAL.
- CUSTOMER TO USE M12 CLASS 8.8 [Ø1/2 GRADE 5] HARDWARE TO ANCHOR HOPPER TO FLOOR.
- THE BULK BAG DISCHARGER HALF-FRAME SHOWN IS DESIGNED FOR "BULK BAGS" THAT ARE 914 [36] SQ. EMPTY (AND BULGE TO 1219 [48] SQ. WHEN FULL).
- THE BULK BAG LIFTING FRAME IS RATED FOR 1451.5 kg [3200 LB] BAG MAXIMUM.
- CUSTOMER TO USE M20 CLASS 8.8 [Ø3/4 GRADE 5] (MINIMUM) HARDWARE TO ANCHOR BULK BAG DISCHARGER FRAME TO FLOOR. FLEXICON RECOMMENDS THAT CUSTOMER CONSULTS WITH A CIVIL ENGINEER OR LOCAL PROFESSIONAL ENGINEER TO EVALUATE FLOOR SUBSTRATES AND SPECIFY THE TYPE AND DEPTH OF FLOOR ANCHORS.
- THIS IS AN UNGUARDED AREA WHICH PERMITS ACCESS TO POTENTIALLY HAZARDOUS ELEMENTS OF THE EQUIPMENT. IT IS THE RESPONSIBILITY OF THE CUSTOMER AND END USER TO ENSURE THAT FINAL INSTALLATION OF THIS EQUIPMENT CONFORMS TO ALL APPLICABLE SAFETY REGULATIONS.



1.4  
CUSTOMER TO MOUNT IN EXISTING PACKAGING MACHINE HOPPERS

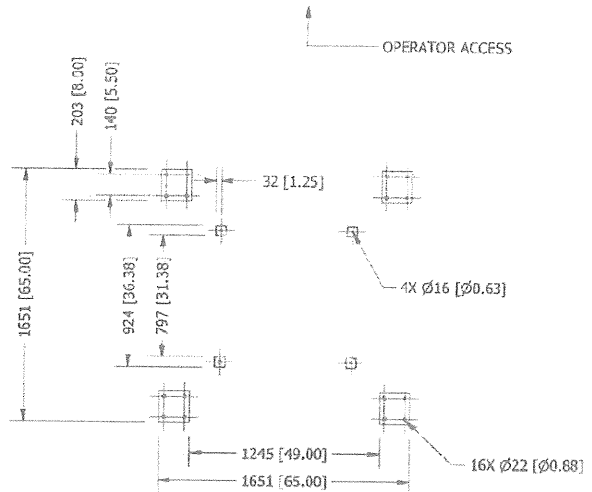
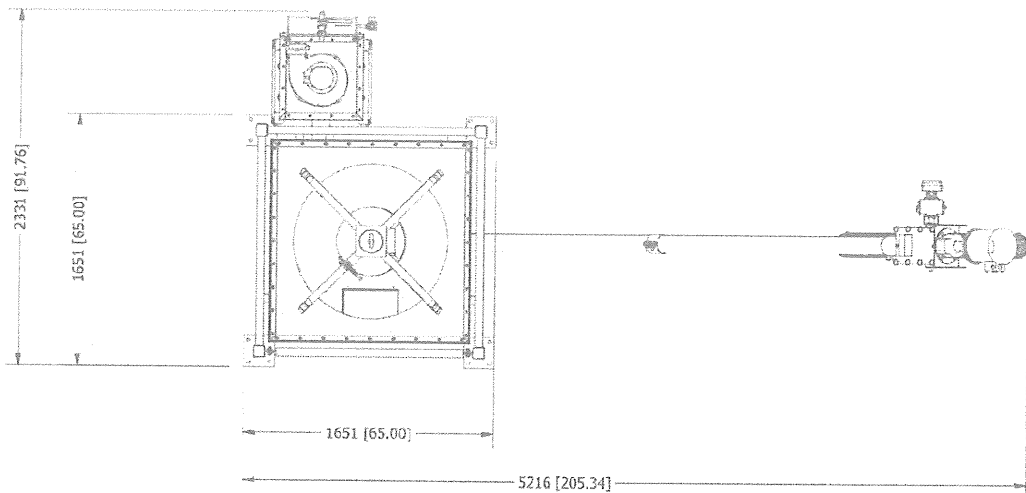
<b>CUSTOMER APPROVAL</b> <input type="checkbox"/> APPROVED <input checked="" type="checkbox"/> APPROVED AS NOTED <input type="checkbox"/> REVISE AND RESUBMIT DATE: <i>4/23/21</i>		CUSTOMER: GREEN GRO CUSTOMER ID: TFC0201-001042 PROJECT: <i>4/23/21</i> The information provided in this drawing, including equipment design and process concepts, are strictly confidential and proprietary to Flexicon Corporation. This document shall not be disclosed or submitted to, nor shall any design or concept include herein be shared with, any third party without the prior written consent of Flexicon Corporation. Flexicon Corporation reserves all manufacturing, patent, copyright and other intellectual rights in this drawing. All information contained herein are copyright © Flexicon Corporation 1999-2021. All rights reserved.	<b>flexicon</b> 2400 Erwin & Swisher Bethlehem, PA 18020-8006 USA Tel: +1-610-614-2400 Fax: +1-610-614-2600 www.flexicon.com
ARRANGEMENT- 9829/- SYSTEM 01		SHEET NO. OF SET: 1 OF: 25	
DRAWN BY: <i>Walt Quirk</i>		DATE: <i>Apr. 29 2021</i> VALUE ENGINEER: <i>98297</i>	
TFC-00294566		A 1 OF 3	

ITEM	ITEM QTY	DOC NUMBER	ITEM DESCRIPTION
1	1	TFC-00294566	ARRANGEMENT- 98297- SYSTEM 01



ALL DIMENSIONS SHOWN HEREIN ARE  
DUAL UNITS, MILLIMETERS (INCHES),  
UNLESS OTHERWISE SPECIFIED.

<b>CUSTOMER APPROVAL</b> <input type="checkbox"/> <b>APPROVED</b> <small>Signature and approval for purchase. Publisher responsible.</small> <input checked="" type="checkbox"/> <b>APPROVED AS NOTED</b> <small>For approval and purchase with changes noted in blue ink only. Flexicon not responsible.</small> <input type="checkbox"/> <b>REVISE AND RESUBMIT</b> <small>Customer has not approved this submission. Resubmit with the following changes:</small>		Customer: <b>GREEN GRO</b> Drawing No: <b>TFC2021 001042</b> The information embodied in this drawing, including equipment drawings and process concepts, are strictly confidential and proprietary to Flexicon Corporation. This document shall not be disclosed or submitted to, nor shall any design or concept included herein be shared with any third party without the prior written consent of Flexicon Corporation. Flexicon Corporation reserves all patent, copyright and other intellectual property rights in this drawing. All information contained herein is copyright © Flexicon Corporation 2009-2021. All rights reserved.	<b>flexicon</b> <small>2400 Emmaus Boulevard          Emmaus, PA 17050-8000          USA          Fax: 717-629-1176          Tel: 717-629-1176          Fax: 717-629-1176</small> Flexicon Corporation <a href="http://www.flexicon.com">www.flexicon.com</a>
DATE: <i>04/29/21</i> SIGNATURE: <i>[Signature]</i>		Project: <b>GENERAL ARRANGEMENT - 98297</b> Revision: <b>1</b> of <b>25</b> Date: <b>Apr 29 2021</b> Project No: <b>98297</b> Drawing No: <b>TFC-00294646</b> Size: <b>A</b> Scale: <b>1</b> of <b>1</b>	




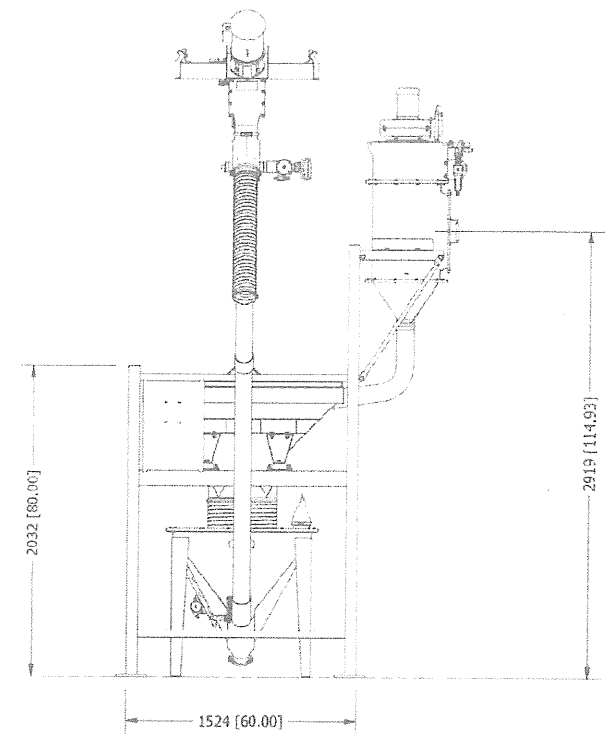
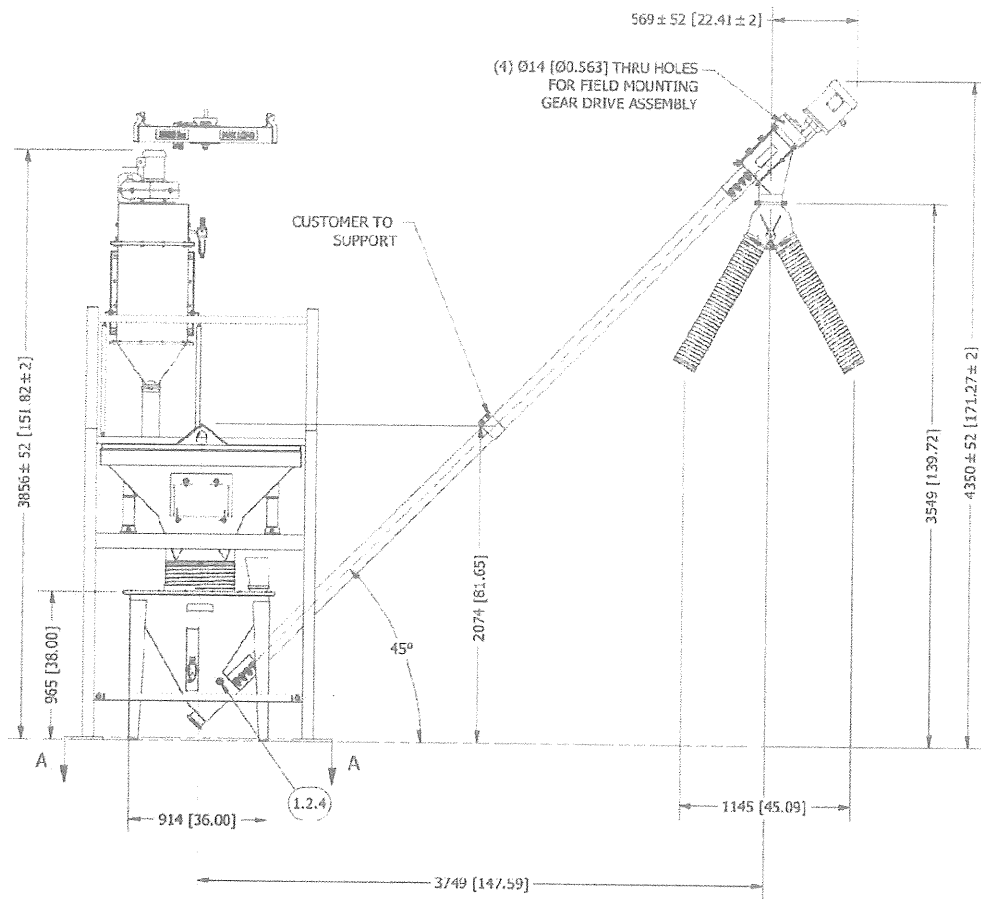
SECTION "A-A"  
SCALE = 1 : 30

ALL DIMENSIONS SHOWN HEREIN ARE DUAL UNITS, MILLIMETERS [INCHES], UNLESS OTHERWISE SPECIFIED.

FOOTPRINT MOUNTING DIMENSIONS ARE FOR REFERENCE ONLY. DUE TO FABRICATION TOLERANCES, ALL EQUIPMENT SHOULD BE LOCATED AND ANCHORED AT THE TIME OF INSTALLATION.

↑ OPERATOR ACCESS

<b>CUSTOMER APPROVAL</b>		CUSTOMER: GREEN GRO		 2459 Evans & Bowerman Bethlehem, PA 18020-0006 USA Tel: +1-610-814-2400 Fax: +1-610-814-0800																			
<input type="checkbox"/> <b>APPROVED</b> <small>Customer has approved this drawing. Flexicon is not liable.</small>	<input checked="" type="checkbox"/> <b>APPROVED AS NOTED</b> <small>Flexicon has approved this drawing, noting the customer's comments and/or conditions. Flexicon is not liable.</small>	CUSTOMER ID:	TFC2021-001042			<b>ARRANGEMENT 1 - 98297- SYSTEM 01</b>																	
<input type="checkbox"/> <b>REVISE AND RESUBMIT</b> <small>Customer has not approved this drawing. Resubmit to customer for approval.</small>		<small>The information embodied in this drawing, including equipment design and process concepts, are strictly confidential and proprietary to Flexicon Corporation. This document shall not be disclosed or submitted to, nor shall any designs or concepts including herein be shared with any third party without the prior written consent of Flexicon Corporation. Flexicon Corporation reserves all manufacturing, patent, copyright and other proprietary rights in this drawing. All information contained herein are copyright © Flexicon Corporation 1995-2021. All rights reserved.</small>		<table border="1"> <tr> <td>APPROVED BY:</td> <td>APPROVED DATE:</td> <td>ISSUE:</td> </tr> <tr> <td>M. J. [Signature]</td> <td>Apr 29 2021</td> <td>1 - 30</td> </tr> <tr> <td>DATE:</td> <td>4/29/21</td> <td>REVISED BY:</td> </tr> <tr> <td></td> <td></td> <td>BB297</td> </tr> <tr> <td colspan="2">TFC-00294566</td> <td>ISSUE:</td> </tr> <tr> <td colspan="2"></td> <td>2 of 3</td> </tr> </table>		APPROVED BY:	APPROVED DATE:	ISSUE:	M. J. [Signature]	Apr 29 2021	1 - 30	DATE:	4/29/21	REVISED BY:			BB297	TFC-00294566		ISSUE:			2 of 3
APPROVED BY:	APPROVED DATE:	ISSUE:																					
M. J. [Signature]	Apr 29 2021	1 - 30																					
DATE:	4/29/21	REVISED BY:																					
		BB297																					
TFC-00294566		ISSUE:																					
		2 of 3																					



ALL DIMENSIONS SHOWN HEREIN ARE  
DUAL UNITS, MILLIMETERS (INCHES),  
UNLESS OTHERWISE SPECIFIED.

<b>CUSTOMER APPROVAL</b> <input type="checkbox"/> APPROVED <small>(Signature and approval required)</small> <input checked="" type="checkbox"/> APPROVED AS NOTED <small>(The notes are approved as shown, and no changes are required)</small> <input type="checkbox"/> REUSE AND RESUBMIT <small>(Customer has not approved a submission, but will reuse the drawing)</small> Date: <i>4/29/21</i>		Material: <b>GREEN GRD</b> Drawing No: <b>TFC2021 001042</b> The information embodied in this drawing, including equipment design and process concepts, are strictly confidential and proprietary to Flexicon Corporation. This document shall not be disclosed or submitted to, nor shall any design or concept include herein be shared with any third party without the prior written consent of Flexicon Corporation. Flexicon Corporation reserves all intellectual property and other proprietary rights in this drawing. All information not disclosed herein are copyrighted. Flexicon Corporation 2021. All rights reserved.	<b>flexicon</b> 2499 Emma's Boulevard Boothwyn, PA 19020-0006 USA Tel: +1 610-614-2400 Fax: +1 610-614-0200 Website: <a href="http://www.flexicon.com">www.flexicon.com</a>
<b>ARRANGEMENT - 98297- SYSTEM 01</b>			
Approved By: _____ Date: <i>Apr 29 2021</i>	Approved Date: _____ Date: <i>Apr 29 2021</i>	Issue: <b>1</b> Total Issues: <b>30</b>	Drawing No: <b>98297</b>
Approved By: <i>Jessinger-MacDonald</i>		Issue: <b>A</b>	Total Issues: <b>3</b>
<b>TFC-00294566</b>			