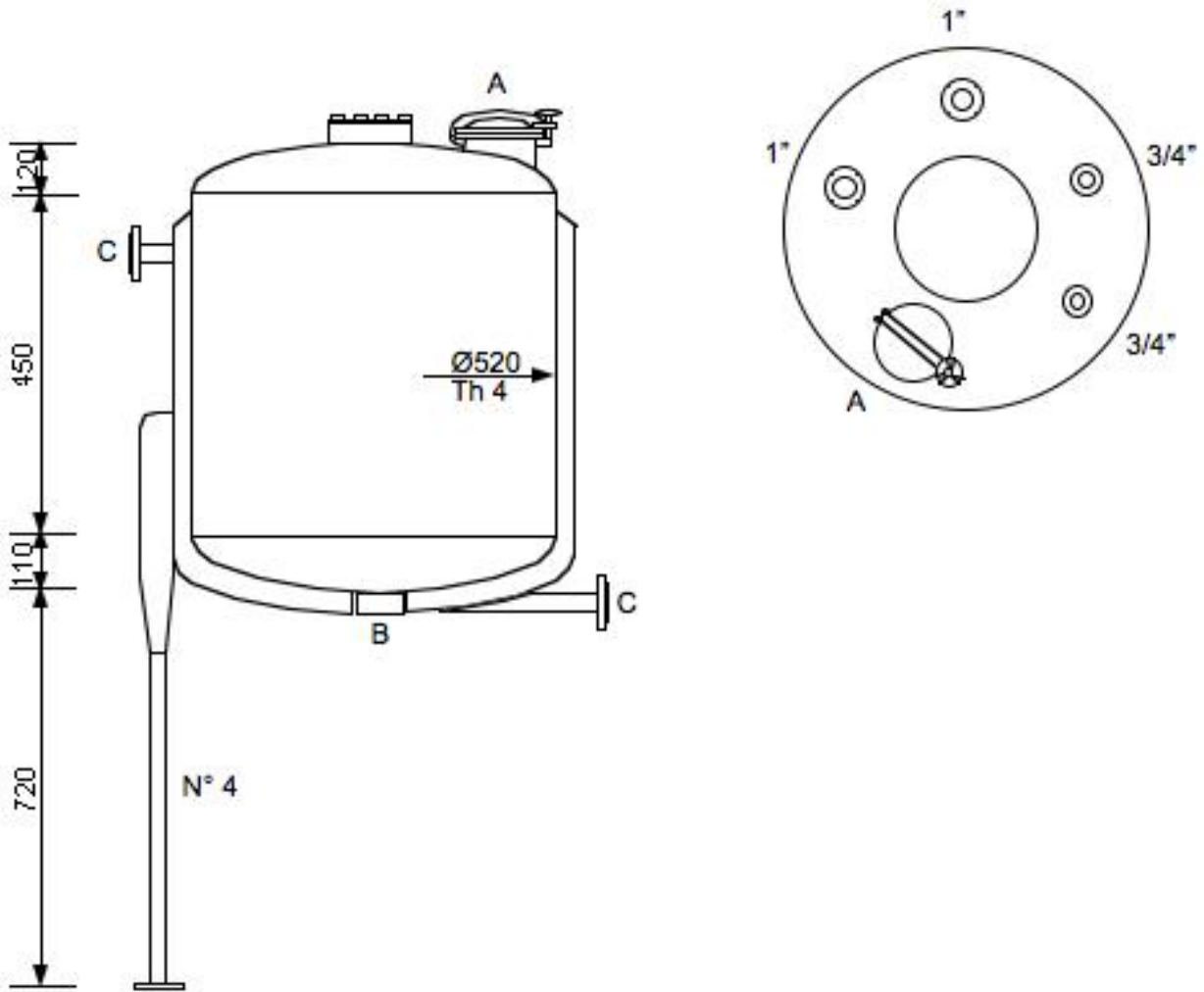


COPRINOX

VESSEL

Code n° **VVJ 001 1486**

Location ref: 97 T2



CAPACITY LITERS _____ 130 _____	SHELL SIDE	JACKET/COIL SIDE	
Design Pressure KG/cm2 Design Temperature °C Material	AISI 316		
ANCC or ISPESL certification: _____ NOT Availability in stock n° _____ 01 _____ units	NOZZLE DIMENSIONS		
MANUFACTURER _____ F.B.M. _____	Pos	Service	Size inch.
<input checked="" type="checkbox"/> USED <input type="checkbox"/> USED RECONDITIONED <input type="checkbox"/> UNUSED	A	Hand hole	4"
	B	Product outlet	1"1/2
	C	Heating medium in-out	3/4"
	D		
	E		
WEIGHT (approx) Kg _____	NOTE _____ _____ _____		