

# GenSet



## MG 35 SS-P

**MANUAL NUMBER**  
**MI-G-00002200**

**REVISION LEVEL 0**  
**15-10-2007**

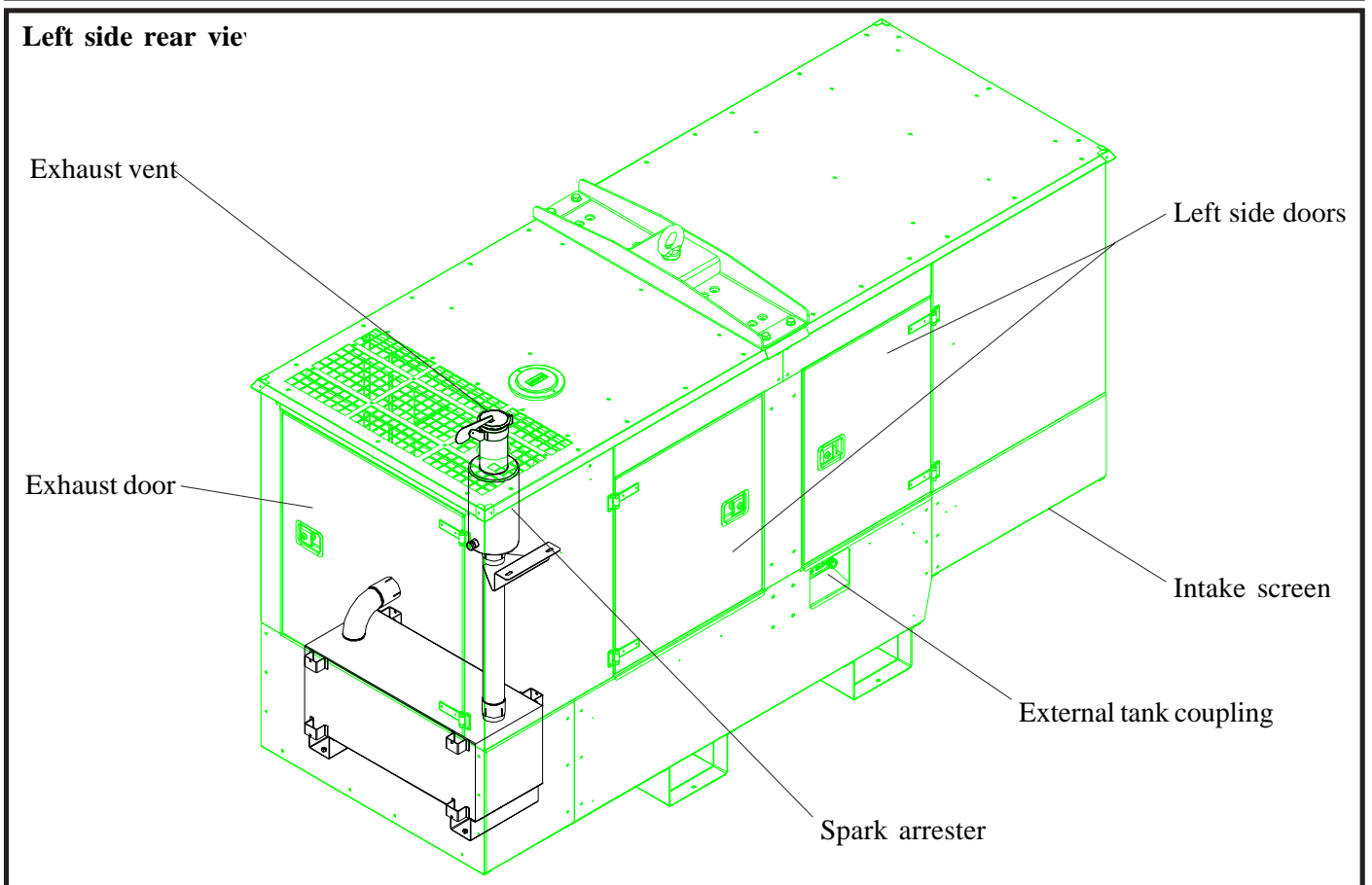
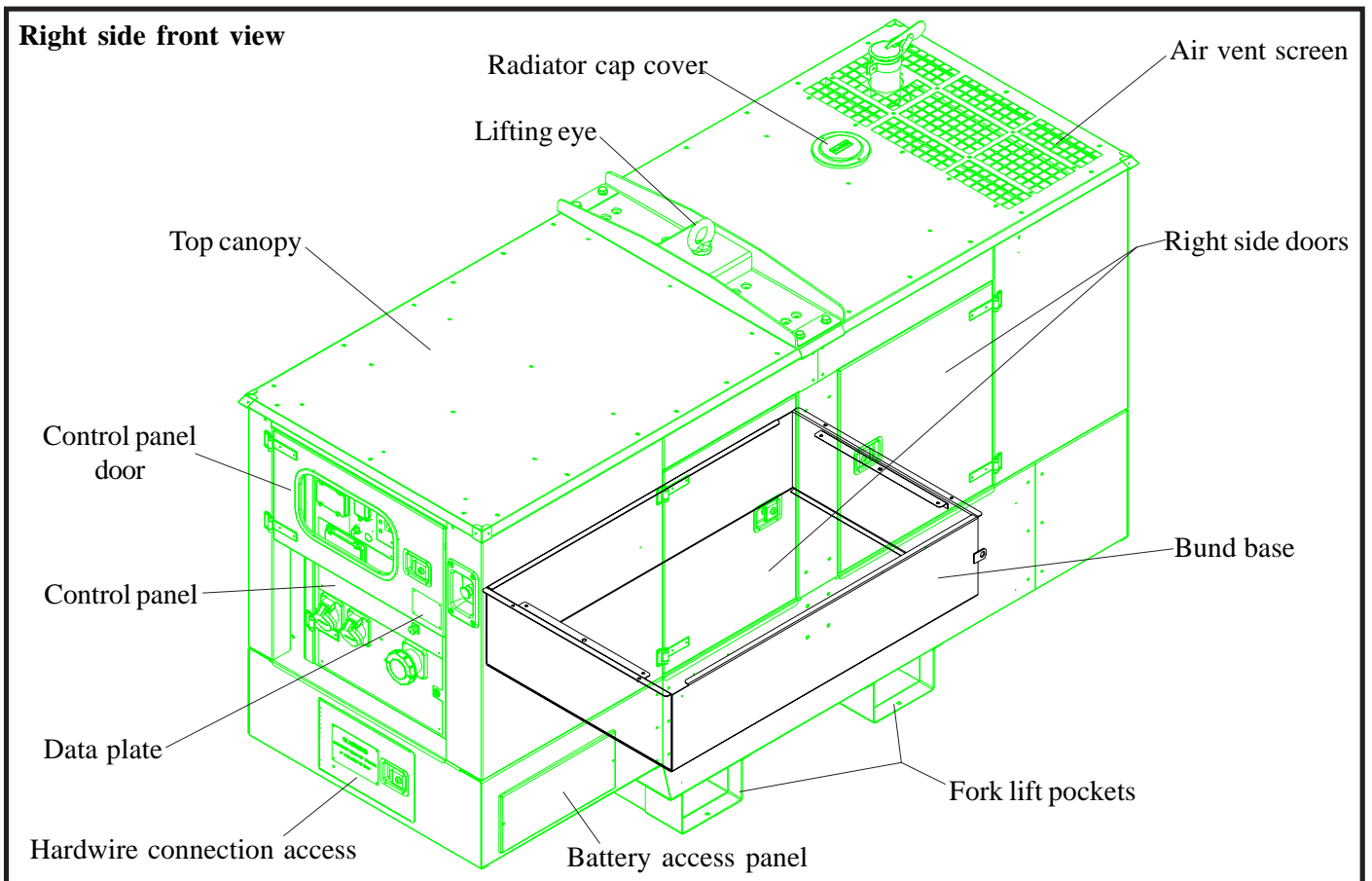


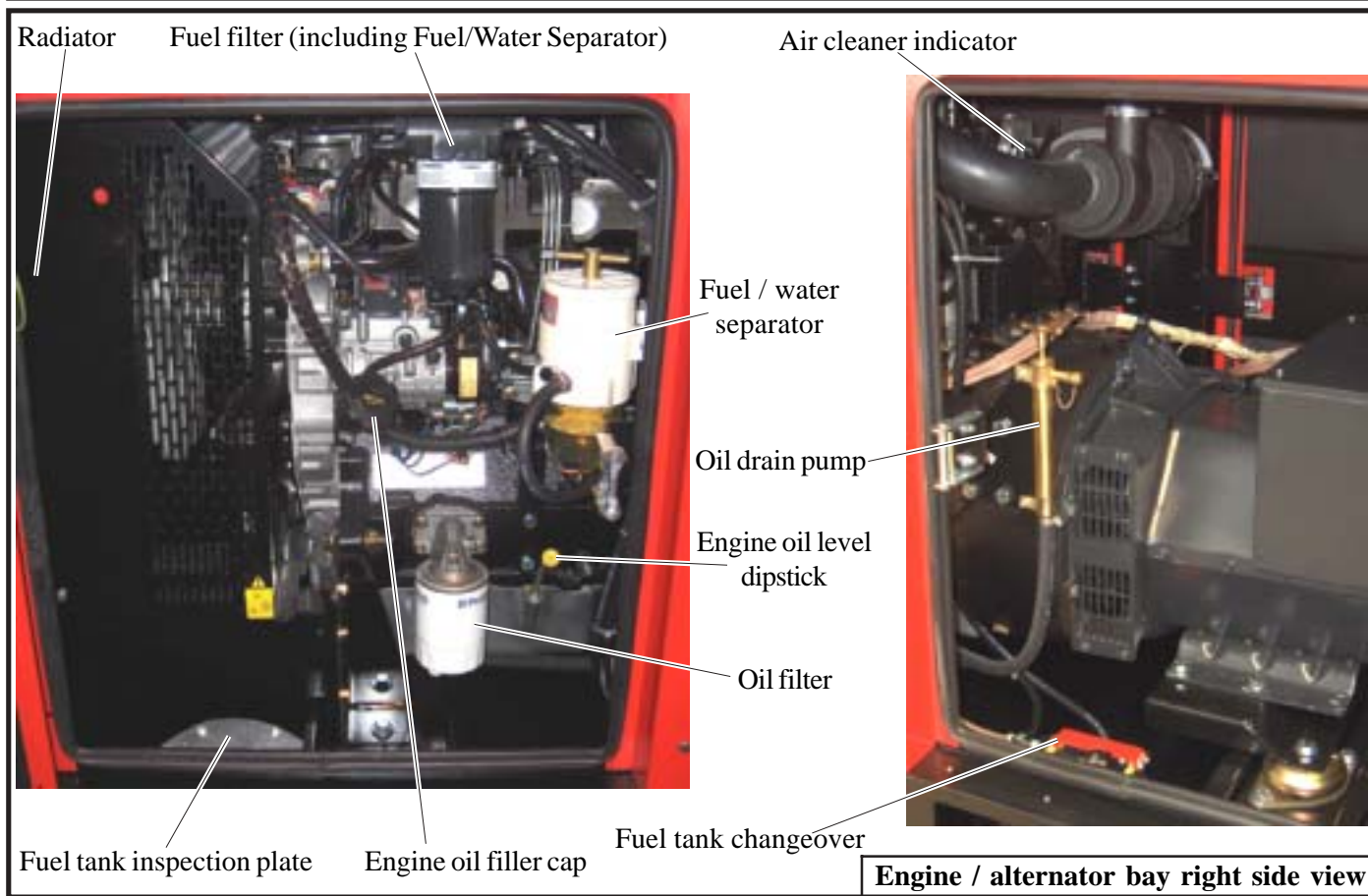
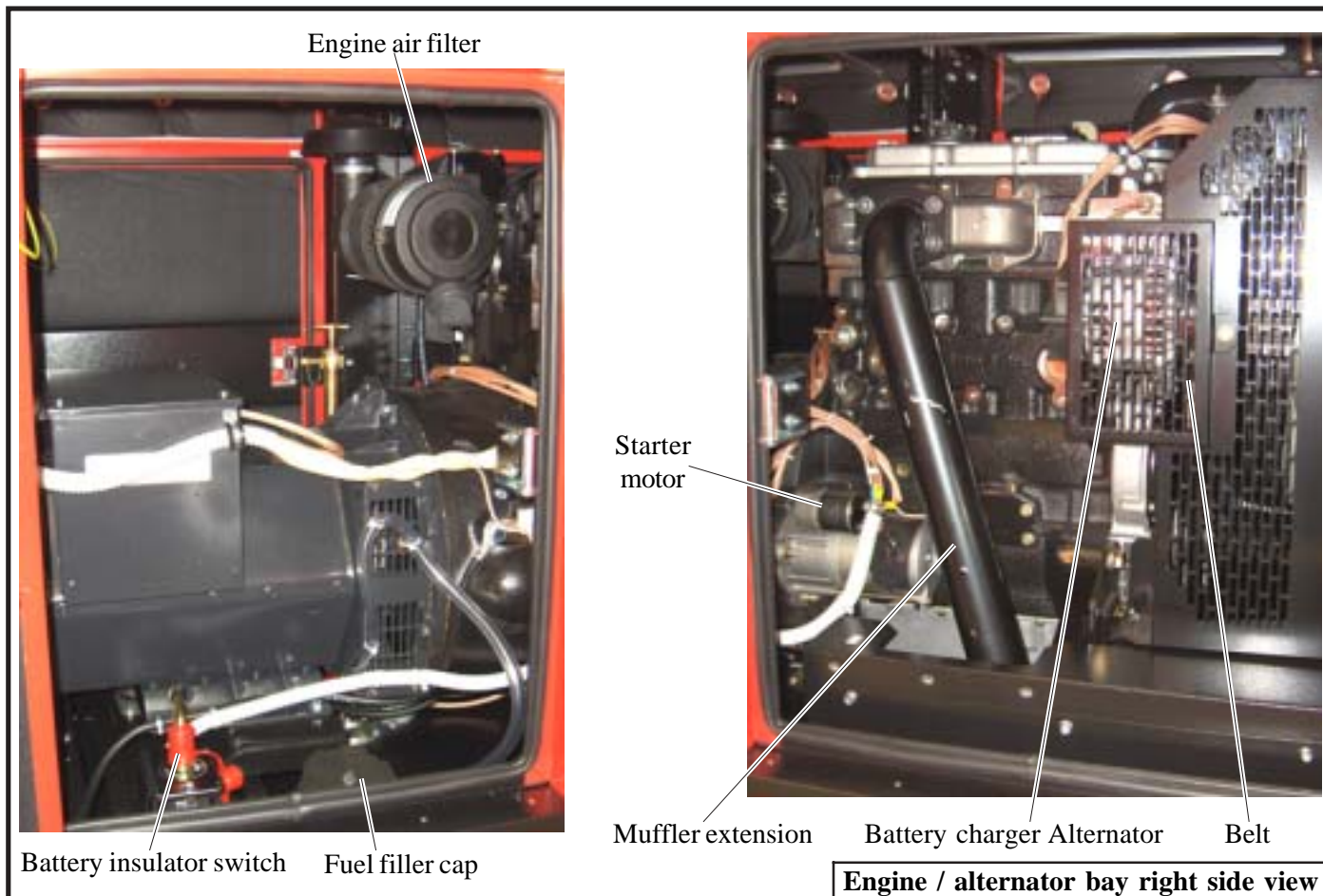
**GENERATING SET**  
**USE AND MAINTENANCE MANUAL**

**GEN SET S.p.a.**

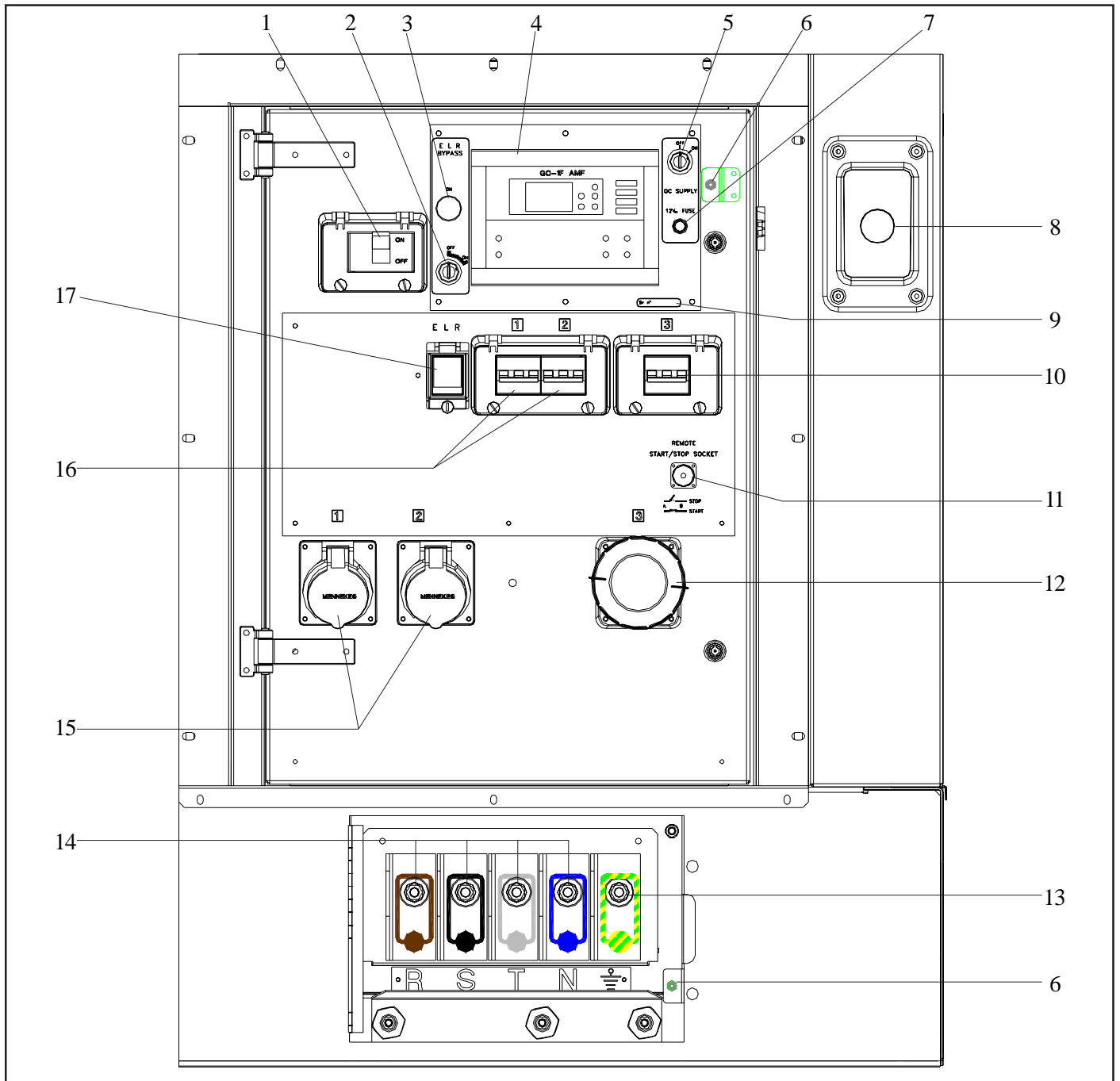
Via Stazione,5 - 27030 Villanova D' Ardenghi (Pavia) Italy  
Tel. (+39) 0382-5091 - Fax (+39) 0382-509-244  
E-mail: [genset@genset.it](mailto:genset@genset.it) - internet: [//www.genset.it](http://www.genset.it)

04.1 GENERATOR COMPONENTS



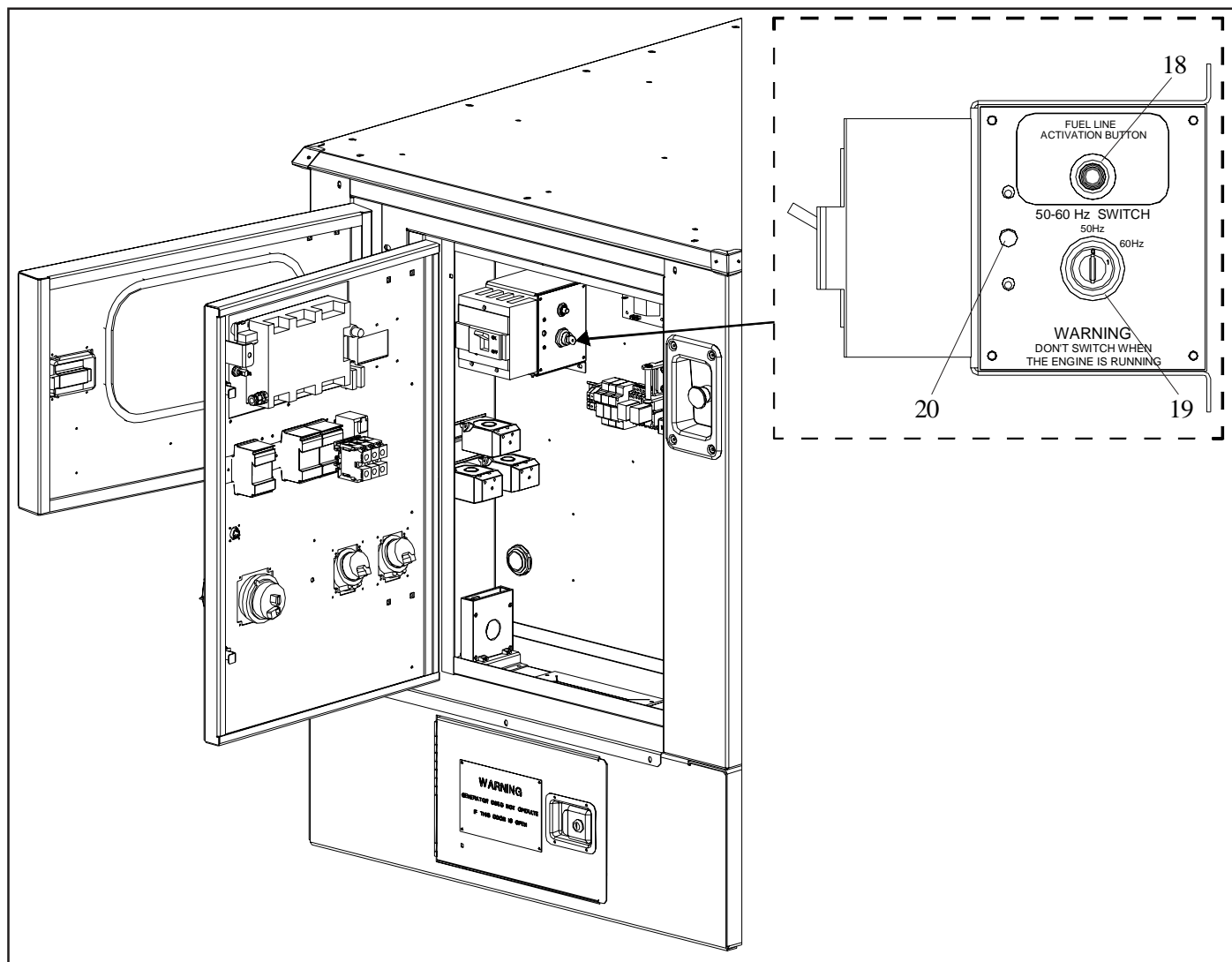


04.2 CONTROL PANEL DESCRIPTION



**LEGEND**

- |   |   |
|---|---|
| 1. 40 A 4 poles main circuit breaker      | 13. Earth clamp   |
| 2. Earth leakage relay bypass key         | 14. R,S,T,N output terminal board (hardwire connection) |
| 3. E.L.R. bypass warning lamp             | 15. 415 V 32 A three-phase current socket               |
| 4. Control unit                           | 16. 32 A 3 poles circuit breakers                       |
| 5. DC 12 V supply key                     | 17. RD2 earth leakage relay                             |
| 6. Safety switch                          |   |
| 7. 12 Vdc fuse                            |   |
| 8. Emergency stop button                  |   |
| 9. Machine serial number                  |   |
| 10. 63 A 3 poles circuit breaker          |   |
| 11. Remote Start / Stop socket            |   |
| 12. 415 V 63 A three-phase current socket |   |

**LEGEND**

- 18. Fuel line activation button
- 19. 50-60 Hz switch
- 20. Trimmer



05.1- Generator.....page.24

05.2- Engine.....page.24

05.3- General specifications.....page.24

05.4- Rating plate description.....page.25

05.5- Air flow diagram.....page.26

05.6- Overall dimensions.....page.26

### 05.1 GENERATOR

Type	Synchronous
Three phase power (Standby Power)	33 kVA - 415 V (according to DIN 6271)
Three phase power (Prime Power)	30 kVA - 415 V (according to DIN 6271)
Single phase power (Prime Power)	10 kVA - 240 V (according to DIN 6271)
Frequency	50 Hz
Power factor	0,8
Insulation class	H
Degree of protection	IP 23

**Prime power:** 10% overload permitted for 1 hour every 12 hours

**Standby power:** no overload permitted

### 05.2 ENGINE

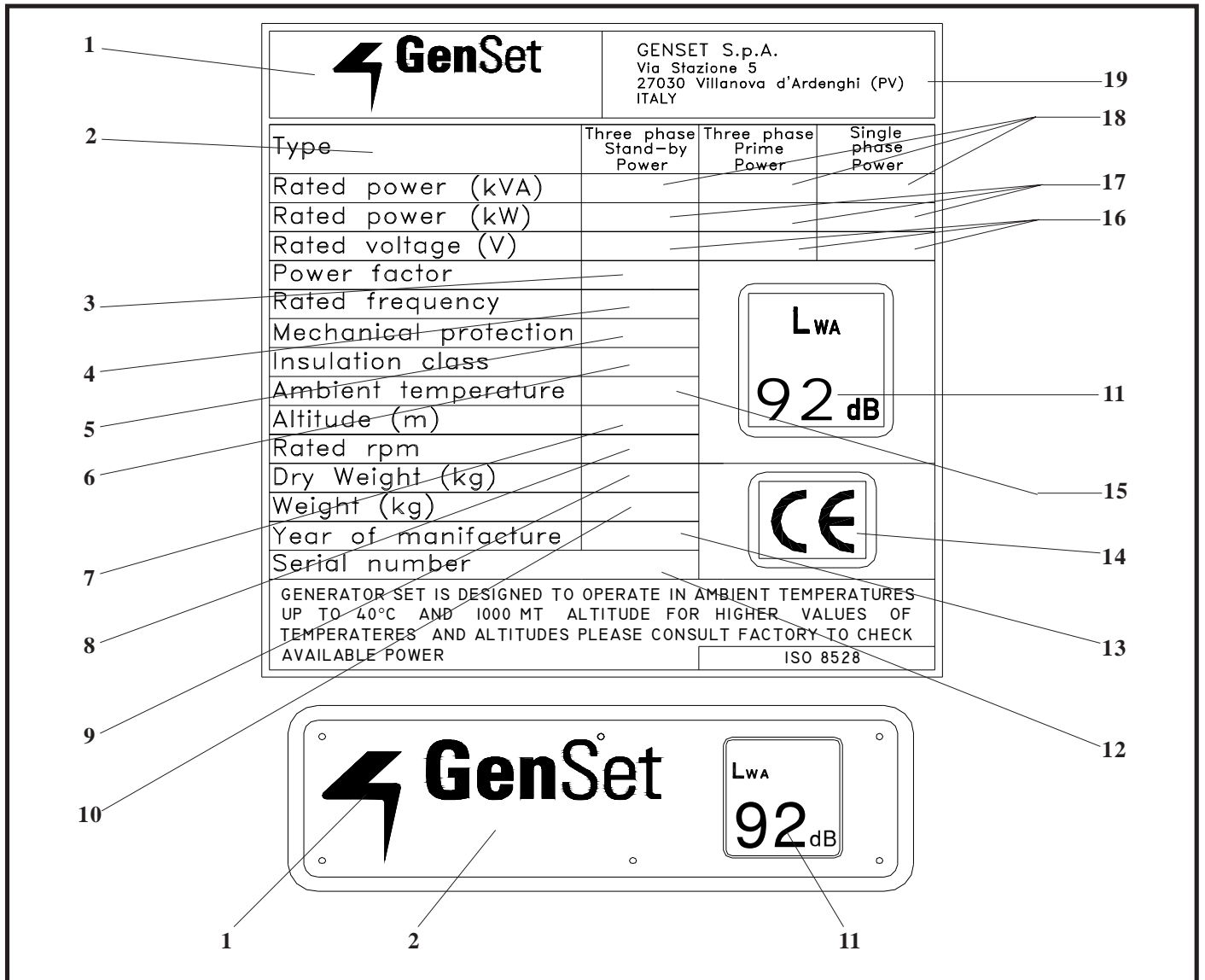
Engine type	Perkins 1103C 33G2
Number of cylinders	3
Displacement	3300 cm <sup>3</sup>
Power (emergency service)	41,3 HP (30,4 kWm)
Engine speed	1500 rpm
Cooling system	Water
Fuel type	Diesel
Oil tank capacity	8,3l
Starting system	Electric
Consumption per hour (at 75% of continuous service)	6,1 l/h

### 05.3 GENERAL SPECIFICATIONS

Noise power emission level	L <sub>wa</sub> 92
Battery	12 V - 100 Ah
Fuel tank capacity	223l
Bounded tank capacity	302l
Operating range at 75% of continuous service power	37 h ~
Dry weight	1420 Kg
Weight	1612 Kg
Dimensions (L x W x H)	2816 x 1000 x 1742

05.4 RATING PLATE DESCRIPTION

A rating plate showing the operation capabilities and performance limits is provided on the unit.



LEGEND

- |                                |                            |
|--------------------------------|----------------------------|
| 1. Manufacturer's logo         | 15. Ambient temperature    |
| 2. Generator model             | 16. Rated voltage values   |
| 3. Power factor                | 17. Rated power kW         |
| 4. Rated frequency             | 18. Rated power kVA        |
| 5. Unit's degree of protection | 19. Manufacturer's address |
| 6. Insulation class            |                            |
| 7. Altitude reference          |                            |
| 8. Engine speed                |                            |
| 9. Dry weight                  |                            |
| 10. Weight                     |                            |
| 11. Noise level                |                            |
| 12. Serial number              |                            |
| 13. Manufacture year           |                            |
| 14. EC mark                    |                            |