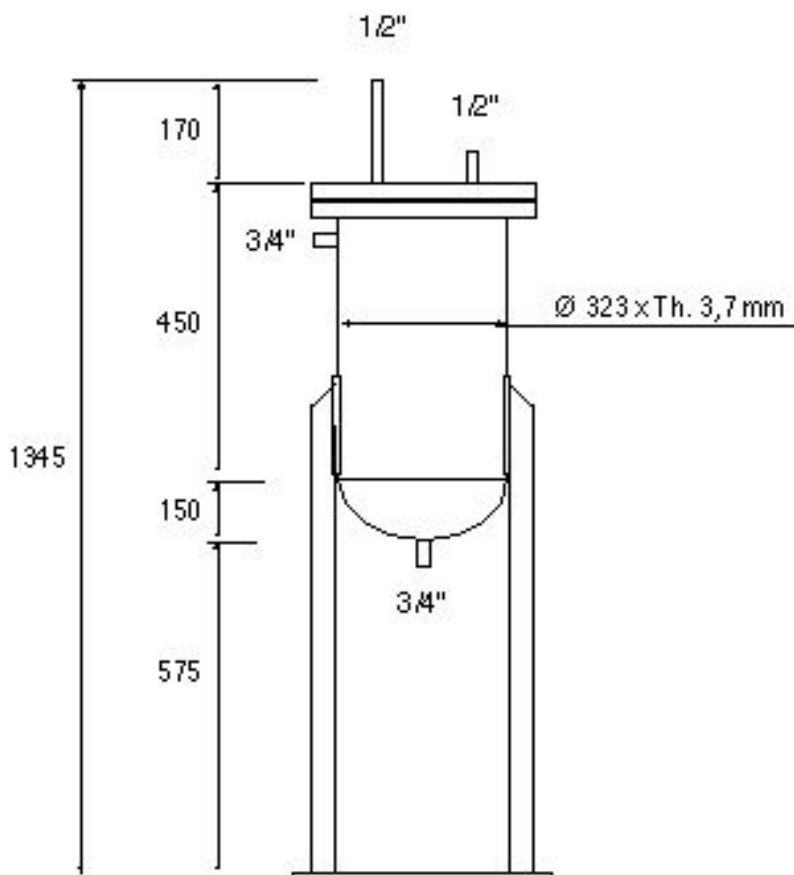


COPRINOX

VESSEL

Code n° **VV 001 1468**

Location ref: 11 T2



CAPACITY LITERS <u>48</u>	SHELL SIDE	JACKET/COIL SIDE	
Design Pressure KG/cm ²	-0,06/+0,8		
Design Temperature °C	40 °C		
Material	AISI 316		
ANCC or ISPESL certification: <u>NOT</u>	NOZZLE DIMENSIONS		
Availability in stock n° <u>03</u> units	Pos	Service	Size inch.
MANUFACTURER <u>MAZZANTI SpA</u>	A		
<input checked="" type="checkbox"/> USED	B		
<input type="checkbox"/> USED RECONDITIONED	C		
<input type="checkbox"/> UNUSED	D		
WEIGHT (approx) Kg <u>130.</u>	E		
	NOTE		