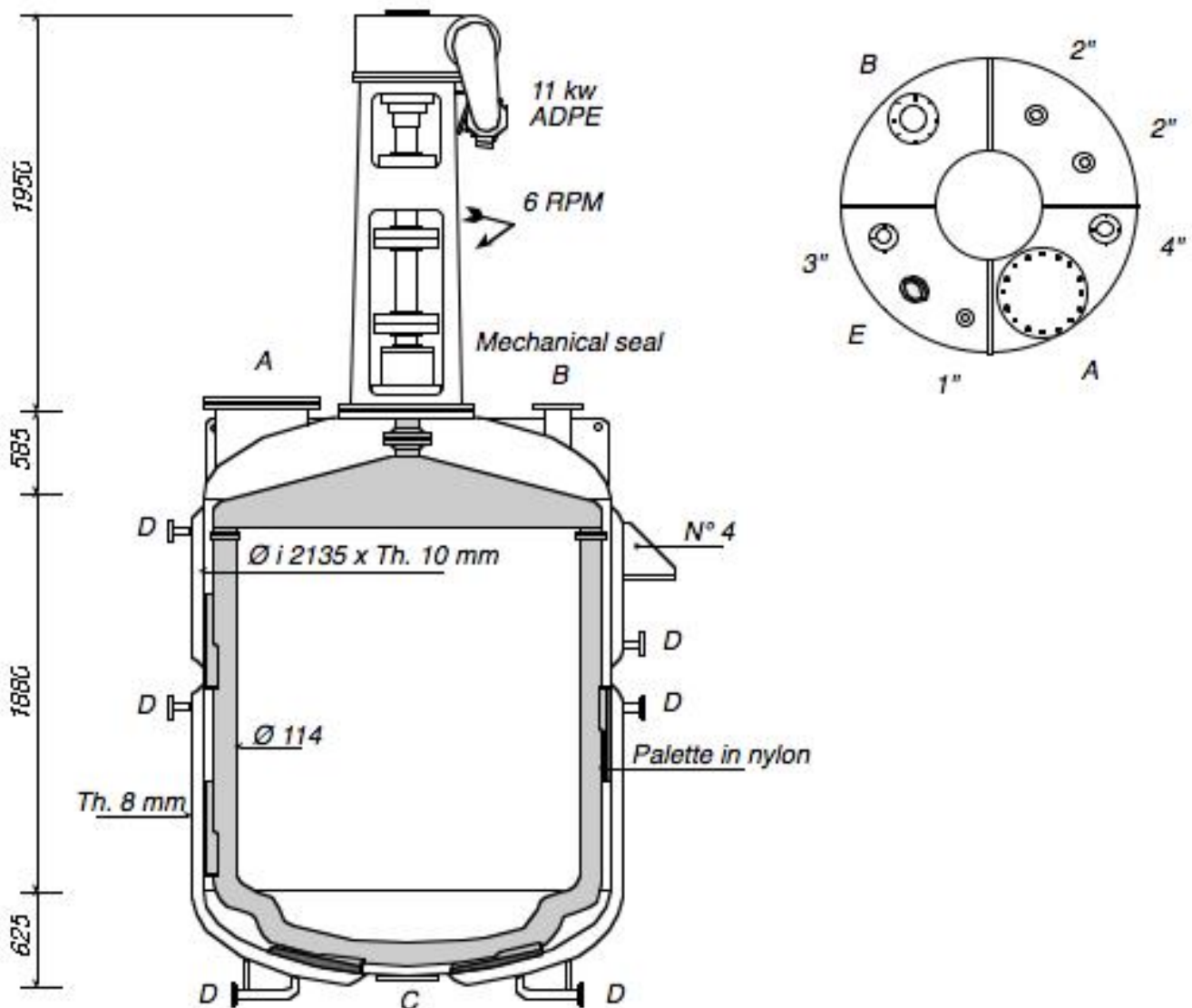


# COPRINOX

## AGITATED VESSEL

Code n° RAJC 098 0912

Location ref: 97 T3

CAPACITY LITERS **9.800**

SHELL SIDE

JACKET/COIL SIDE

Design Pressure KG/cm<sup>2</sup>  
Design Temperature °C  
Material

4 / FV

4

140

151

AISI 316

Carbon Steel

ANCC or ISPESL certification: **RM 25495**Availability in stock n° **01** unitsMANUFACTURER: **ETTORE ZANON** USED  
 USED RECONDITIONED  
 UNUSED

### NOZZLE DIMENSIONS

Pos	Service	Size inch.
A	Man hole	18"
B	Vapours outlet	8"
C	Product discharge	2"
D	Heating medium in-out	2"
E	Sight glass	4"

NOTE

WEIGHT (approx) Kg **5900**