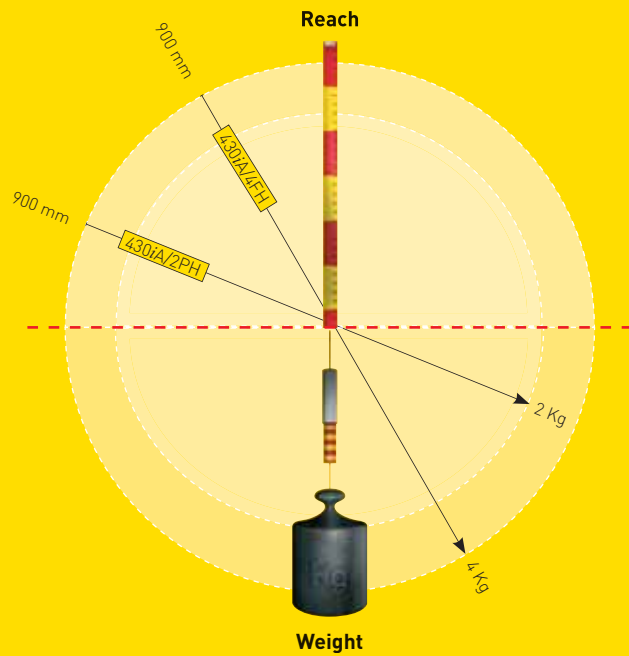


M-430iA SERIES

50

	Robot model	Controller	Controlled axes	Max. load capacity at wrist [kg]	Repeatability [mm]	Mechanical weight [kg]	Reach [mm]	Motion range [°]						Maximum speed [°/s]						J4 Moment [Nm]/ Inertia [kgm ²]	J5 Moment [Nm]/ Inertia [kgm ²]	J6 Moment [Nm]/ Inertia [kgm ²]	IP Rating
								J1	J2	J3	J4	J5	J6	J1	J2	J3	J4	J5	J6				
M-430iA	M-430iA/4FH	R-30iA	5	4	± 0.5	55	900	360	230	383	300	540	—	300	320	320	360	2000	—	3.5/0.064	0/0.01	—	IP67
	M-430iA/2PH		6	2	± 0.5	57	900	360	230	383	380	300	540	300	320	320	500	500	1700	3.5/0.032	3.5/0.032	1.5/0.005	



Available in 2 versions:

- M-430iA/4FH: 5-axes high speed picker with high speed wrist for the food industry
- M-430iA/2PH: 6-axes fast picker for the pharmaceutical industry

THE M-430*i*A IS A HANDLING ROBOT SERIES WITH 2 TO 4 KG PAYLOAD, SPECIALLY DEVELOPED FOR FOOD OR PHARMACEUTICAL APPLICATIONS. IT OFFERS HIGH RATES OF CONTINUOUS HANDLING OF OBJECTS, A CLEAN, WASHABLE MECHANICAL UNIT, AND A CHEMICAL-RESISTANT SURFACE.

» FEATURES AND BENEFITS

The M-430*i*A series, the solution for high speed picking for the food and pharmaceutical industries.

ROBOT ARM DESIGNED FOR FOOD AND PHARMACEUTICAL INDUSTRIES CLEANING REQUIREMENTS

- Special coating and sealing which protect against hot water, acid and alkaline cleaners
- Perfectly smooth surface of the whole unit for easy cleaning, thus avoiding the contamination by germs (conforms to design guidelines for food machinery)
- IP67

FLOOR AND CEILING MOUNT, LARGE WORK ENVELOPE

- The M-430*i*A series offer a very large work envelope compared to other types of robots, thus providing high flexibility for cell design.
- The M-430*i*A robots can be floor or ceiling mounted.

NO GREASE IN WRIST AXIS UNIT

- No risk of contamination of grease on food, even in case of heavy collision of wrist axis

HOLLOW ARM STRUCTURE

- No outer cables
- Same life for cables and other internal components
- No risk of damaging cables
- Less spare parts necessary
- Cost saving on maintenance

MOTORS DIRECTLY COUPLED TO THE REDUCER

- Simplified mechanical unit
- Reduced breakdown risk
- Compact and reliable solution
- High accuracy and minimum backlash

HOLLOW JOINT CONSTRUCTION FOR REDUCERS

- Reduced wear of cable routing as most reducers have hollow construction

VERY HIGH SPEED PICKER

Dual drive torque tandem control is applied for J1, J2 and J3.

FOOD GRADE GREASE M-430*i*A

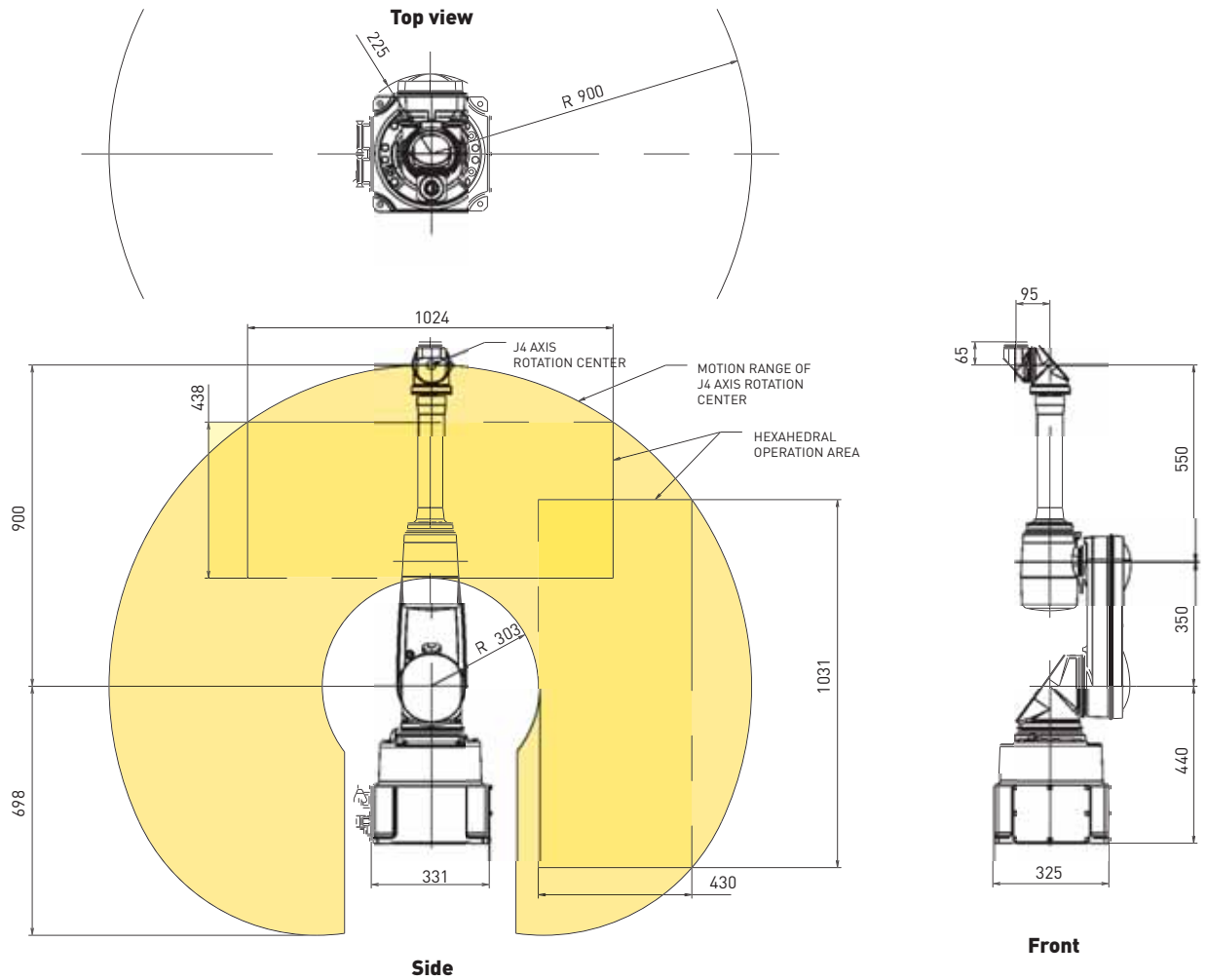
- Special food grease to avoid any risk of damaging food with grease or oil

HIGH SPEED WRIST FOR M-430*i*A/2PH

M-430*i*A/2PH has a max. J6 speed of 1700 deg/sec

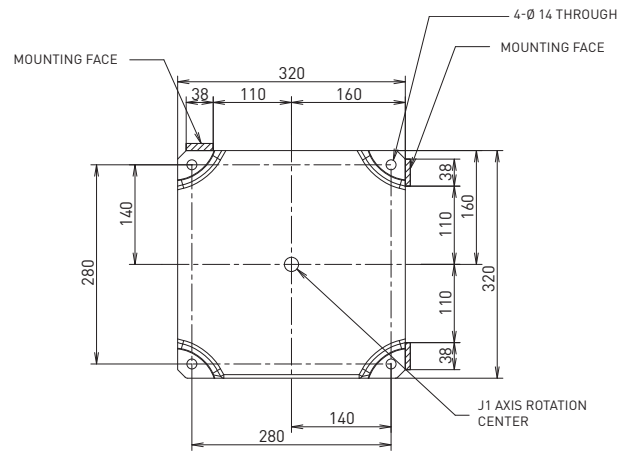


M-430iA/4FH/2PH



» Dimensions

Footprint M-430iA/2PH/4FH



Wrist M-430iA/2PH/4FH

