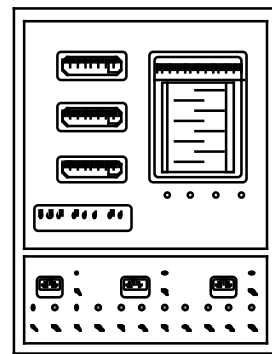
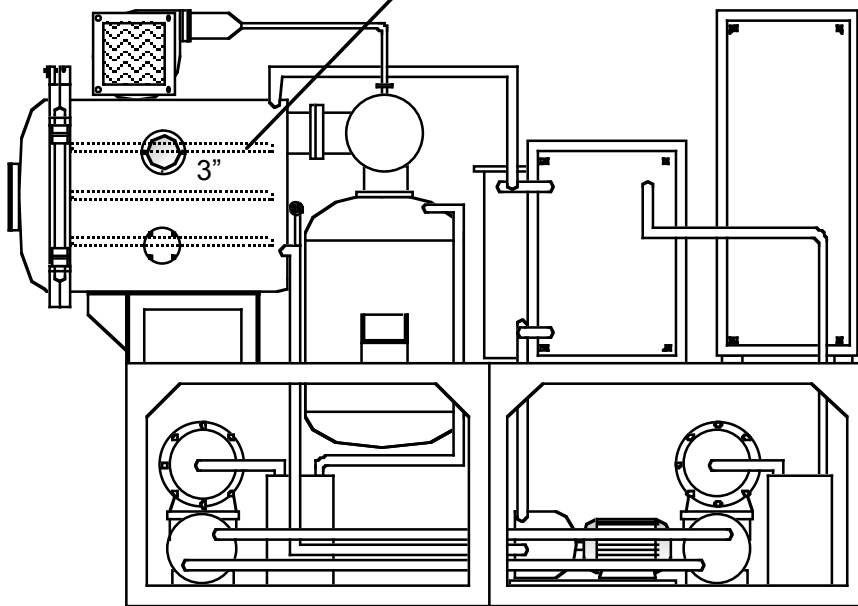


N° 3 RIPIANI RISCALDATI
600 X 450 Sup.Totale 0,81 m2



Overall dimension:

Height: 1900 mm
Length: 2700 mm
Width: 1000 mm

CAPACITY LITERS <u>180</u>		SHELL SIDE	JACKET/COIL SIDE
Design Pressure KG/cm2			
Design Temperature °C			
Material		AISI 316	
DRYER TYPE: <u>Liophilizer VF 30 2768/68/80</u>			
ANCC or ISPEL certification: <u>NOT</u>		NOZZLE DIMENSIONS	
Drive HP: _____ rpm: _____		Pos	Service
MANUFACTURER : <u>BRIZIO E BASI</u>		A	Size inch.
<input checked="" type="checkbox"/> USED <input type="checkbox"/> USED RECONDITIONED <input type="checkbox"/> UNUSED		B	
WEIGHT (approx) Kg _____		C	
		D	
		E	
		NOTE <u>N° 3 RIPIANI</u>	