

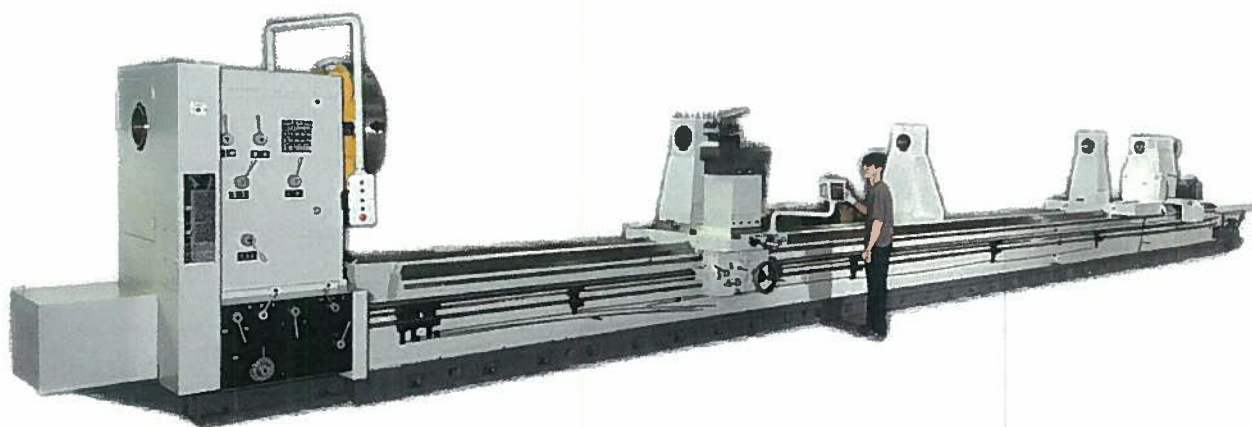


ANNN YANG

DY-1600~1800G

HEAVY DUTY LATHE

INSTRUCTION & SPARE PARTS MANUAL



ANNN YANG MACHINERY
No.6-6, Lane 310, Sec.1,
Ginkung Road, Taichung, Taiwan
Tel: 886-4-24361191
Fax: 886-4-24361106
Website: www.annnyang.com
E-mail: annnyang@ms23.hinet.net

INDEX

CHAPTER 1, GENERAL INSTRUCTION

● SPECIFICATION-----	2
● STANDARD EQUIPMENT & ACCESSORIES-----	3
● LIFTING MACHINES-----	4
● OPERATION WARNING-----	7
● GENERAL LAYOUT-----	8
● FOUNDATION PLANE-----	9
● CLEANING & INSTALLING-----	10
● ELECTRIC SUPPLY CONNECTION-----	11
● LUBRICATION CHECKS-----	11

CHAPTER 2, OPERATION

● CHUCK MOUNTING-----	12
● LATHE CONTROL-----	13
● THREADS & FEEDS-----	16
● THREAD DIAL INDICATOR-----	19
● APRON & SLIDE CONTROLS-----	10
● FEED TRIP DEVICE-----	21
● CROSS SLIDE & TOP SLIDE-----	21
● TAILSTOCK-----	22

CHAPTER 3, SERVICE & MAINTANCE

● LATHE ALIGNMENT-----	24
● DRIVING BELTS-----	25
● SLIDEWAYS & CROSS SLIDE NUT-----	25
● APRON & SLIDEWAY LUBRICATION-----	26
● REGULAR MAINTENCE-----	27
● WIRING DIAGRAM-----	28
● TROUBLE SHOOTING GUIDE-----	29
● PARTS LIST-----	31