

M-900iB/700



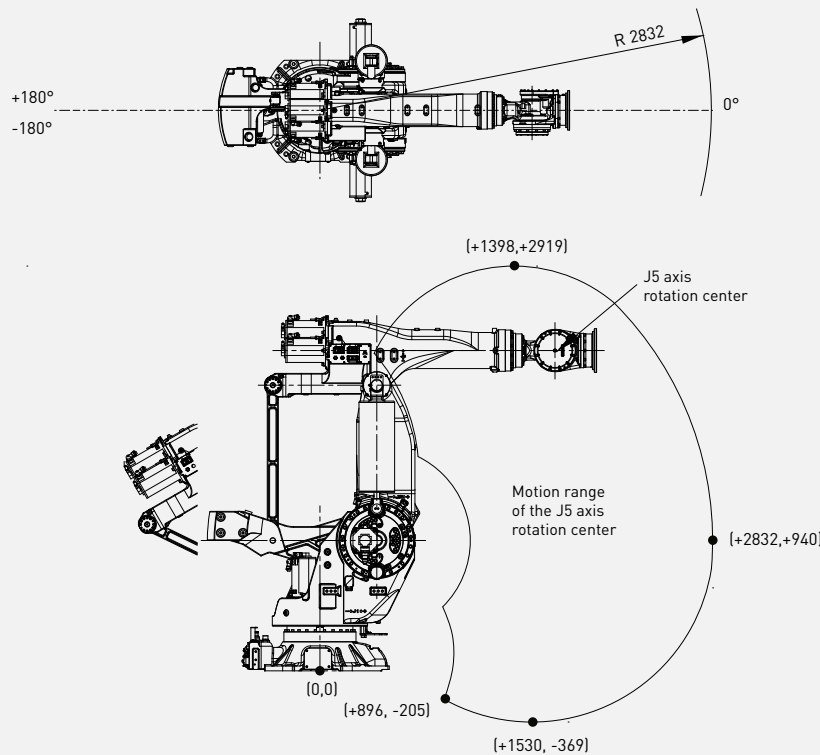
Max. load capacity
at wrist: **700 kg**



Max. reach:
2832 mm

Controlled axes	Repeatability (mm)	Mechanical weight (kg)	Motion range (°)						Maximum speed (°/s)						J4 Moment/ Inertia (Nm/kgm ²)	J5 Moment/ Inertia (Nm/kgm ²)	J6 Moment/ Inertia (Nm/kgm ²)
			J1	J2	J3	J4	J5	J6	J1	J2	J3	J4	J5	J6			
6	± 0.1*	2800	360	154	160	720	244	720	80	80	80	100	100	160	3400/1098	3400/1098	1725/444

Working range



Robot

	M-900iB/700
Robot footprint [mm]	1009 X 814
Mounting position Floor	●
Mounting position Upside down	-
Mounting position Angle	-

Controller

	R30iB
Open air cabinet	-
Mate cabinet	-
A-cabinet	-
B-cabinet	●
iPendant Touch	●

Electrical connections

Voltage 50/60Hz 3phase [V]	380-575
Voltage 50/60Hz 1phase [V]	-
Average power consumption [kW]	5

Integrated services

Integrated signals on upper arm In/Out	8/8
Integrated air supply	2

Environment

Acoustic noise level [dB]	76.3
Ambient temperature [° C]	0-45

Protection

Body standard/optional	IP54/IP56
Wrist & J3 arm standard/optional	IP67

● standard ○ on request - not available () with hardware and/or software option

*Based on ISO9283