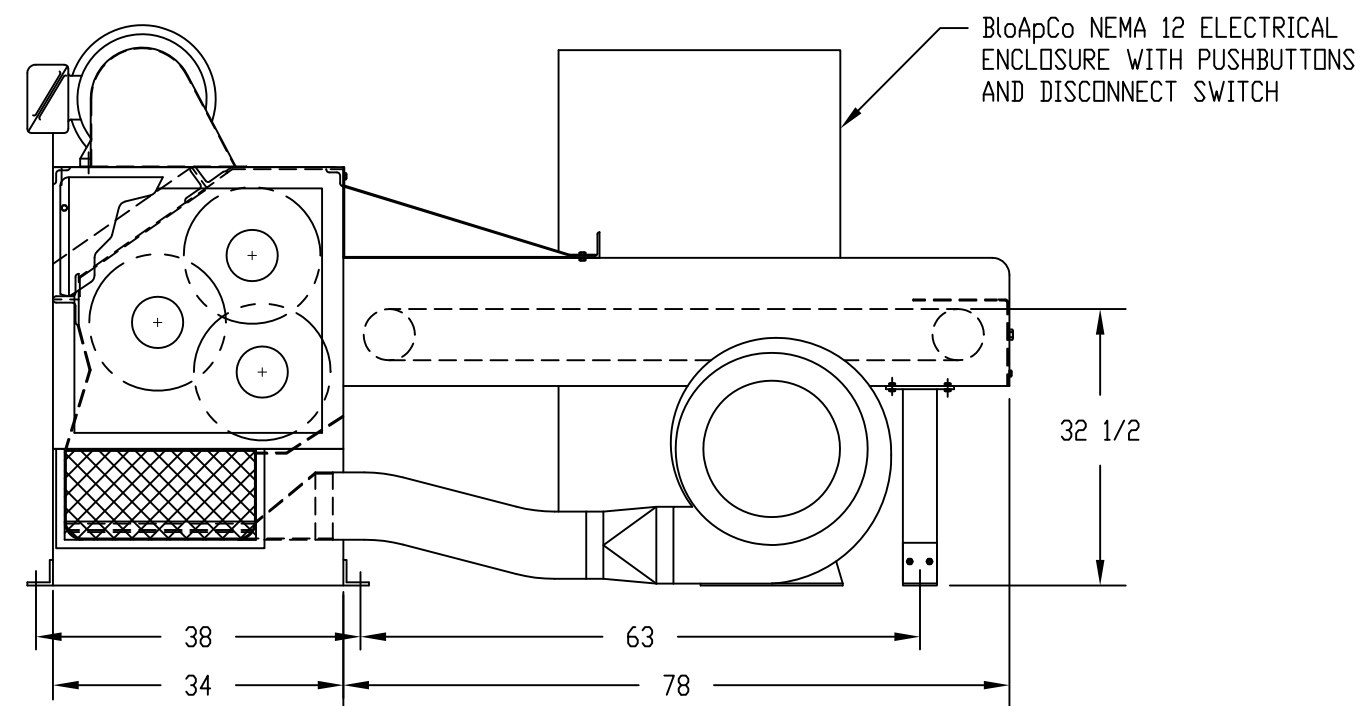
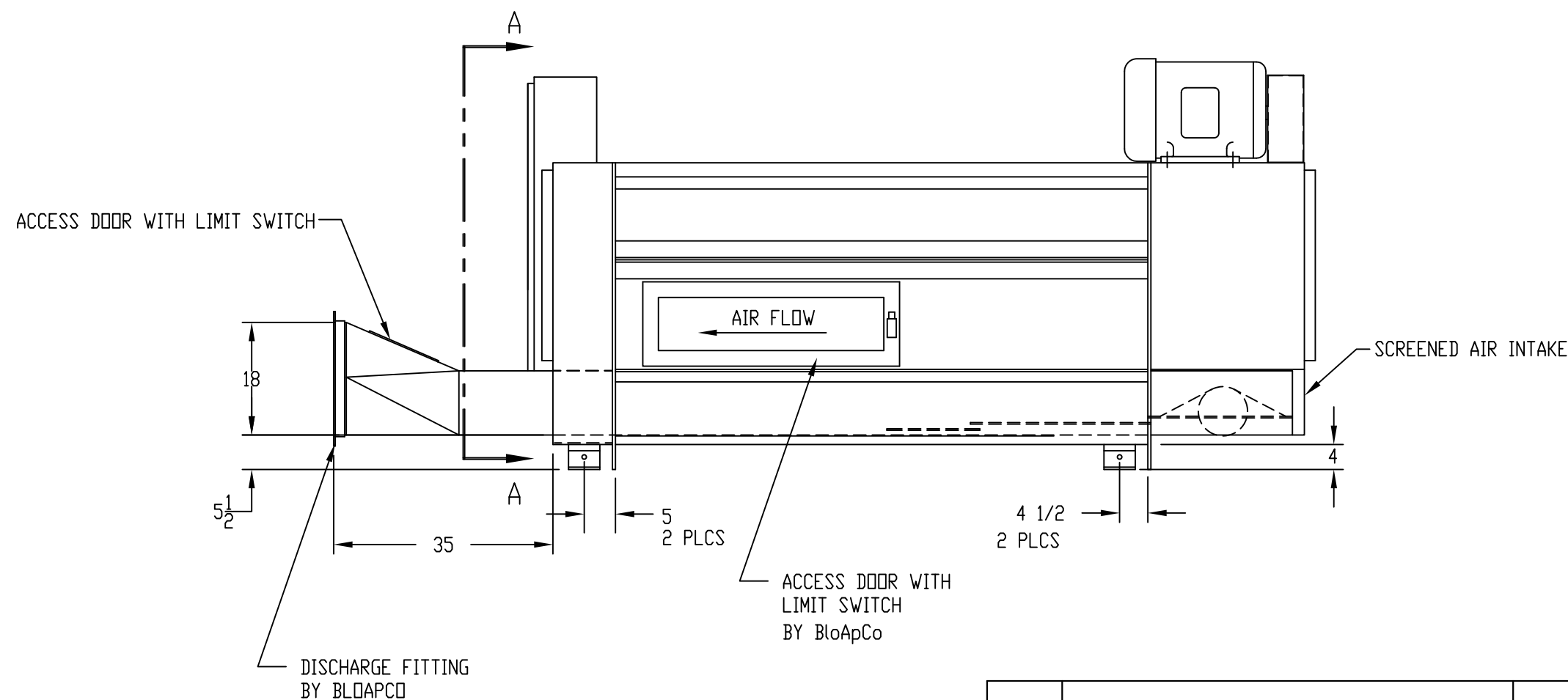
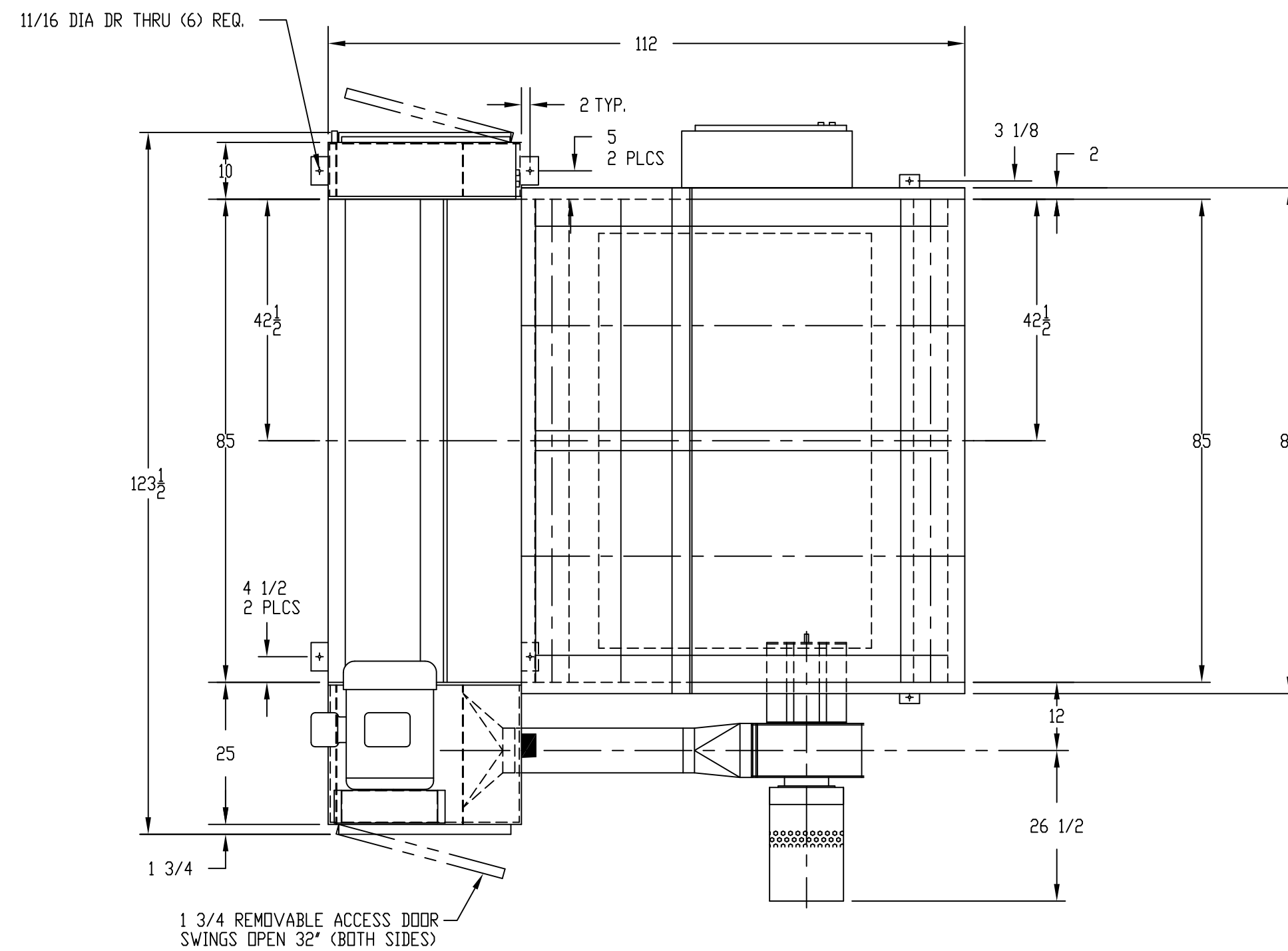


BloApCo MODEL 25-4 FAN WITH INLET MUFFLER AND 8"Ø FLEX HOSE DISCHARGE

VIEW A - A
SCALE: 1" = 1'-0"



THIS PRINT IS THE PROPERTY OF THE BLOWER APPLICATION COMPANY AND SUBJECT TO RETURN UPON DEMAND. ALL RIGHTS OF DESIGN AND INVENTION ARE RESERVED.

							GENERAL ARRANGEMENT	
							85" HF SHREDDER WITH PNEUMATIC AUGER	
				Drawn JTH		Checked		
Rev. No.	Description	Date	Job No.	Scale 1/2" = 1'-0"	Date 12/11/2015	Tolerance	Drawing No. C-80000-1701	