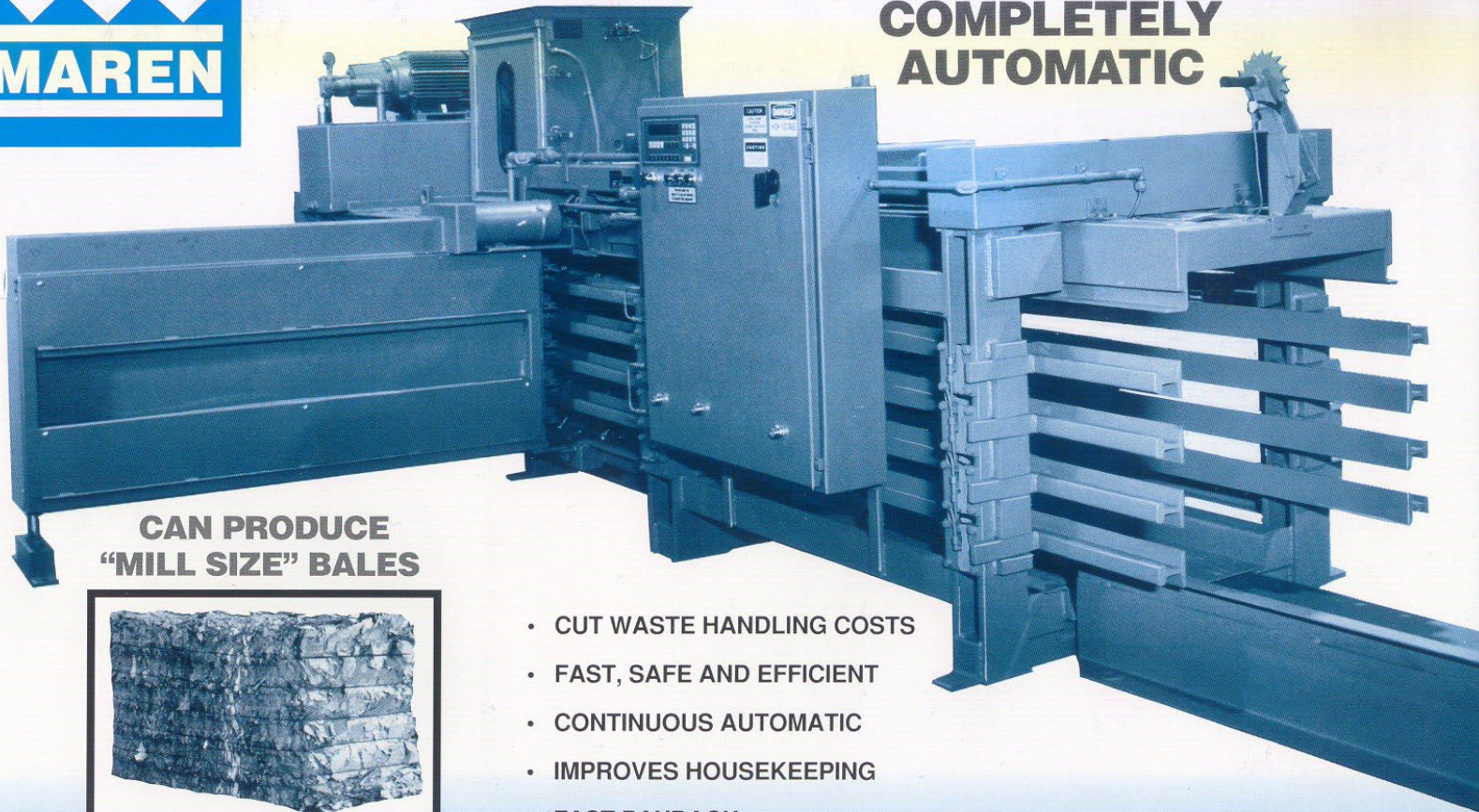


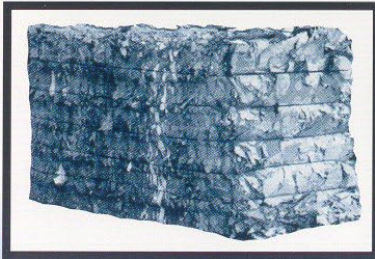


72 OPEN-END BALERS

**COMPLETELY
AUTOMATIC**



**CAN PRODUCE
"MILL SIZE" BALES**



- CUT WASTE HANDLING COSTS
- FAST, SAFE AND EFFICIENT
- CONTINUOUS AUTOMATIC
- IMPROVES HOUSEKEEPING
- FAST PAYBACK

HEAVY-DUTY

**BALES CORRUGATED, PAPER, CHIPBOARD, BOXBOARD,
FOLDING CARTON MATERIALS AND EVEN WAXED CORRUGATED.**

HEAVY-DUTY MAREN 72 AUTOMATIC OPEN-END BALERS

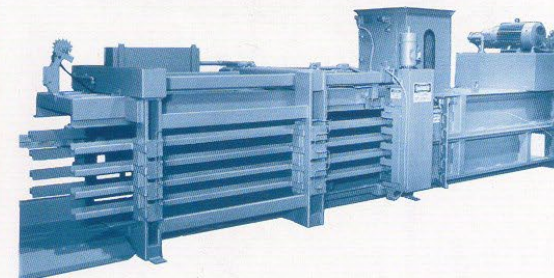
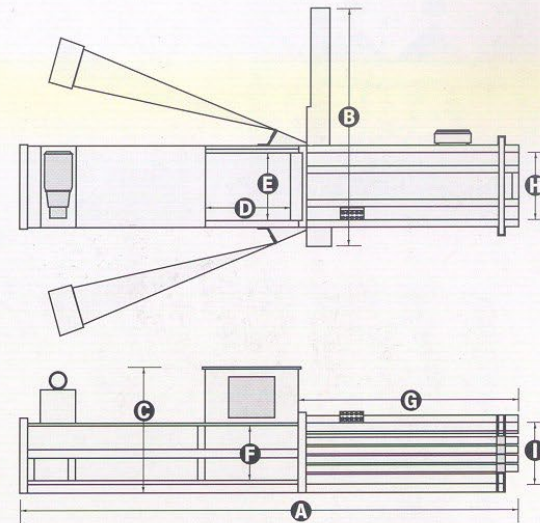
MAREN has the largest selection of balers and baling equipment.

Maren 72-O.E./76 Automatic Baler with Increased Thrust & Electric Tier	Maren 72-O.E./100 R Automatic Baler with Increased Thrust & Electric Tier (High/Low Pump)	Maren 72/48-312 Open End Automatic Baler with Increased Thrust & Electric Tier	Maren 72/60-336 Open End Baler with Shear, Increased Thrust & Electric Tier
--	---	--	---

Overall Dimensions

(A) Length	243"	261"	284 7/8"	316 3/4"
(B) Width	134 1/2"	134 1/2"	157 1/2"	162"
(C) Height	76 1/2"	76 1/2"	82 3/4"	82 3/4"
Feeder Hopper				
(D) Length	30"	30"	48"	60"
(E) Width	30"	30"	42"	45"
(F) Depth	36"	36"	42"	42"
Capacity (Cubic Feet)	19	19	49	63
Baling Chamber				
(G) Length	140"	140"	140"	140"
(H) Width	30"	30"	42"	45"
(I) Depth	36"	36"	42"	42"
Product Bale				
Length	Variable	Variable	Variable	Variable
Width	30"	30"	42"	45"
Height	36"	36"	42"	42"
Number of Ties				
Ram Cycle	5	5	6	6
Ram Thrust	20 Seconds	10 Seconds	20 Seconds	20 Seconds
Operating Pressure	76,340 lbs	100,000 lbs	100,000 lbs	100,000 lbs
Pump	2,700 PSI	2,600 PSI	2,600 PSI	2,600 PSI
Hydraulic Cylinder	18 GPM	48 GPM TWIN High/Low	49.5 GPM High/Low	52.5 GPM High/Low
Motor	6" dia. x 47"	7" dia. x 47"	7" dia. x 65"	7" dia. x 77"
Total Press Weight	*30 HP	*25 HP	*50 HP	*30 HP
	14,500 lbs	17,600 lbs	16,000 lbs	19,400 lbs

*208-220/440-550 Volt, 3 Phase, 60 Cycle, T.E.F.C.



Maren manufactures the only complete line of solid waste handling equipment... Balers • Shredders • Pinch Conveyors • Tampers • Bale Separators • Automatic Tiers.



MAREN ENGINEERING CORP.

P.O. Box 278
 South Holland, IL 60473
 Phone: (708) 333-6250
 Fax: (708) 333-7507
 Website: <http://www.marenengineering.com>