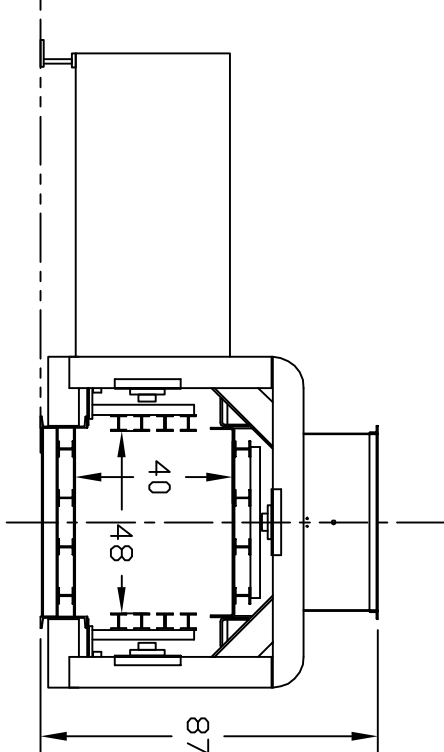
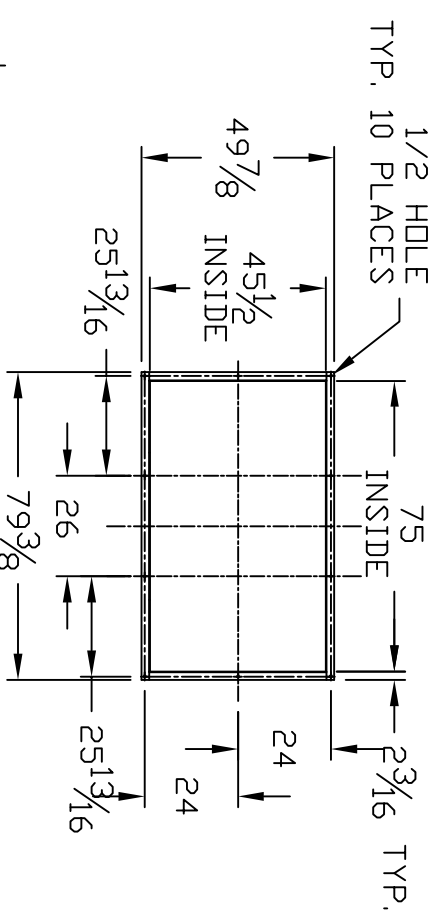
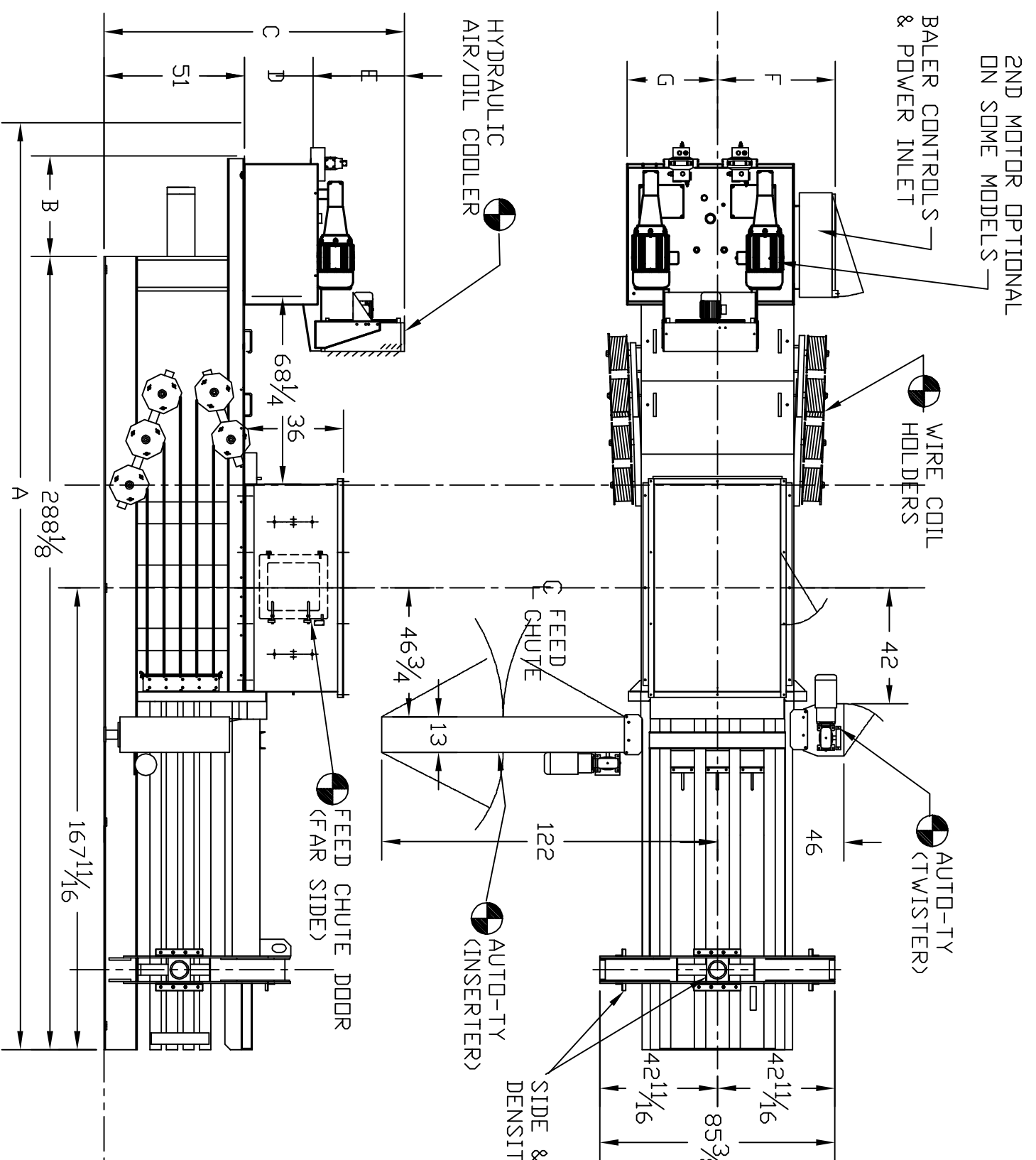


5200										
DIM	25 H.P.	30 H.P.	50 H.P.	50 H.P. (2X25)	60 H.P. (2X30)	75 H.P.	100 H.P. (2X50)	150 H.P. (2X75)		
A	342	342	342	342	342	342	376-15/16	376-15/16		
B	22-1/2	22-1/2	33-1/2	33-1/2	33-1/2	33-1/2	54-3/4	54-3/4		
C	98-5/16	98-5/16	109-3/16	109-3/16	109-3/16	109-3/16	109-1/4	109-1/4		
D	20-3/4	20-3/4	26-5/8	26-5/8	26-5/8	26-5/8	22-1/2	22-1/2		
E	26-9/16	26-9/16	31-9/16	31-9/16	31-9/16	31-9/16	35-3/4	35-3/4		
F	39-7/8	39-7/8	42-7/8	42-7/8	42-7/8	42-7/8	42-7/8	42-7/8		
G	23-7/8	23-7/8	32-3/4	32-3/4	32-3/4	32-3/4	45	45		
H	65-1/4	65-1/4	65-1/4	65-1/4	65-1/4	65-1/4	65-5/16	65-5/16		



CONFIGURATION
 BALER - RIGHT HAND
 AUTO-TY - RIGHT HAND

TOLERANCES - UNLESS OTHERWISE SPECIFIED:

FRACTIONAL	+/- 1/64
DECIMAL	+/- 0.005
DECIMAL	0.00 +/- 0.01

THIRD ANGLE PROJECTION

THIS DRAWING IS THE PROPERTY OF EAST CHICAGO MACHINE TOOL CORP.

THE INFORMATION DISCLOSED HEREIN IS NOT TO BE REPRODUCED, COPIED OR OTHERWISE DISPOSED OF, DIRECTLY OR INDIRECTLY AND IS NOT TO BE USED IN WHOLE OR IN PART TO ASSIST IN MAKING OR TO FURNISH ANY INFORMATION FOR THE MAKING OF DRAWINGS, PRINTS, APPARATUS, OR PARTS THEREOF, EXCEPT AS SPECIFICALLY AUTHORIZED IN WRITING BY EAST CHICAGO MACHINE TOOL CORP.

NO.		DATE		IN.		REMARKS	
BALEMASTER® DIV. OF EAST CHICAGO MACHINE TOOL CORP. CROWN POINT, INDIANA							
5200 BALER-10" CYL. W/ 75" FEED CHUTE(S.C.)							
DO NOT SCALE WORK TO DIMENSIONS				SCALE: 1=50			
B/M	YES						
RECD	NO						
DR.	LLN	CH.	APP.				
DATE: 04-22-03		234B0154-00					