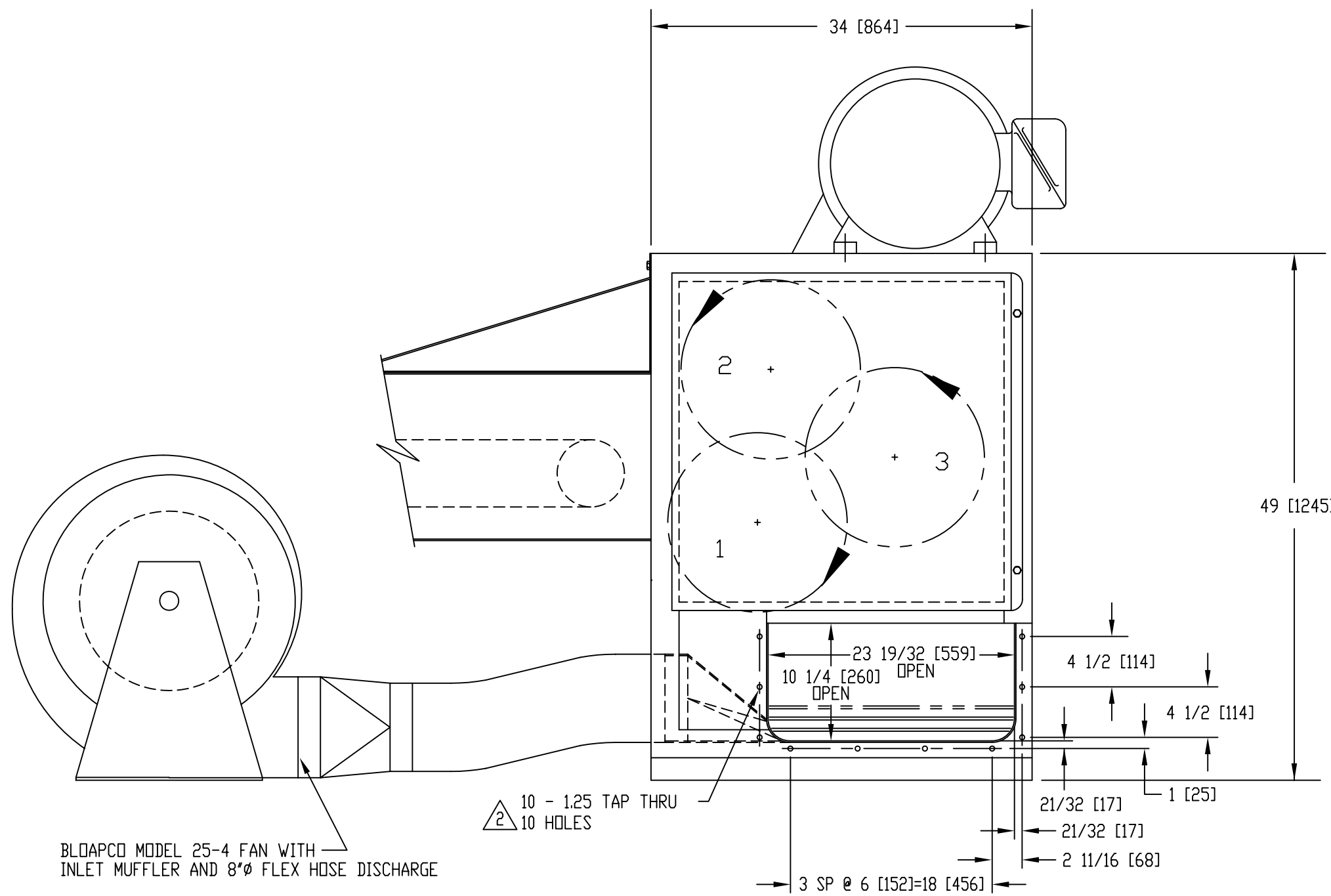
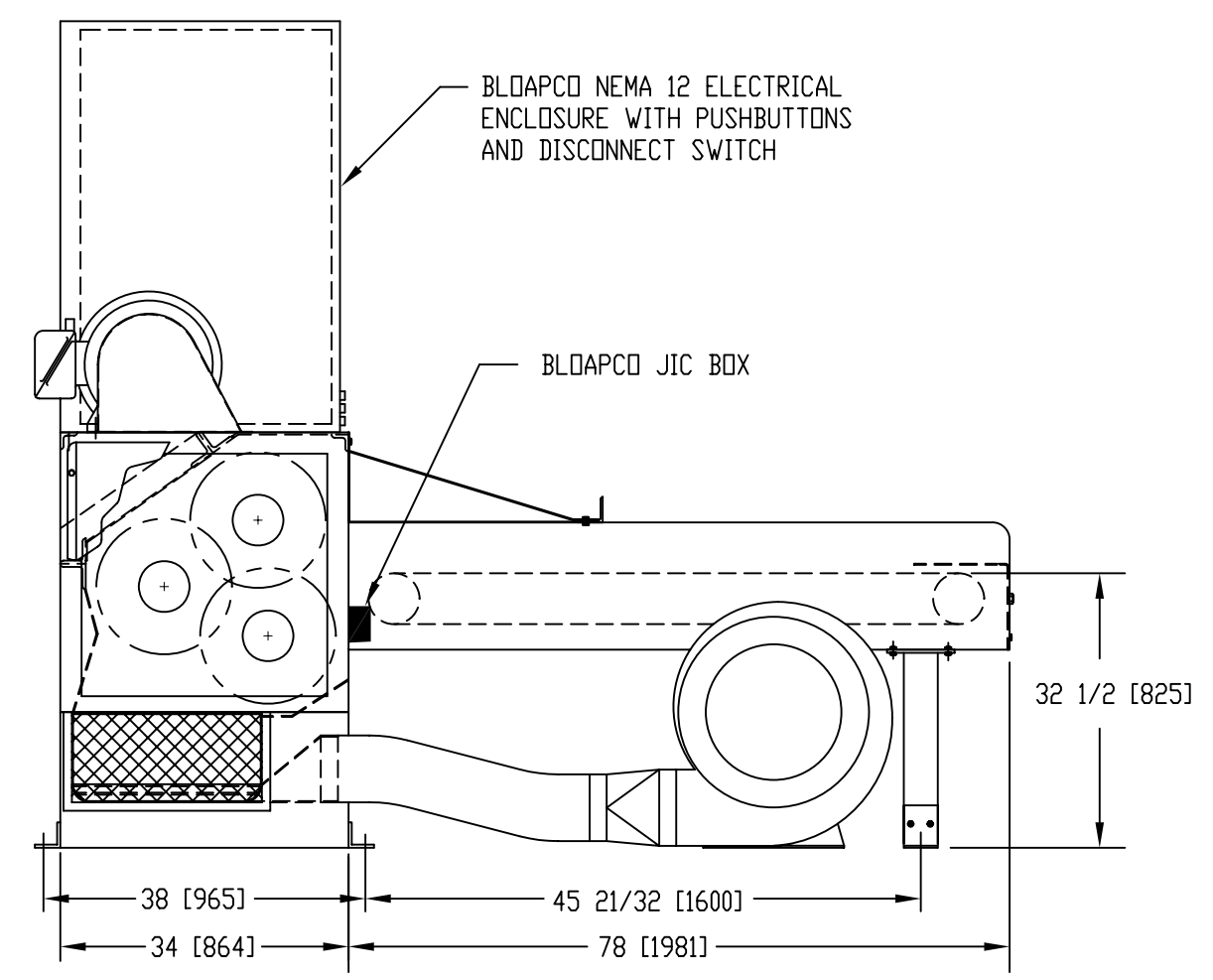
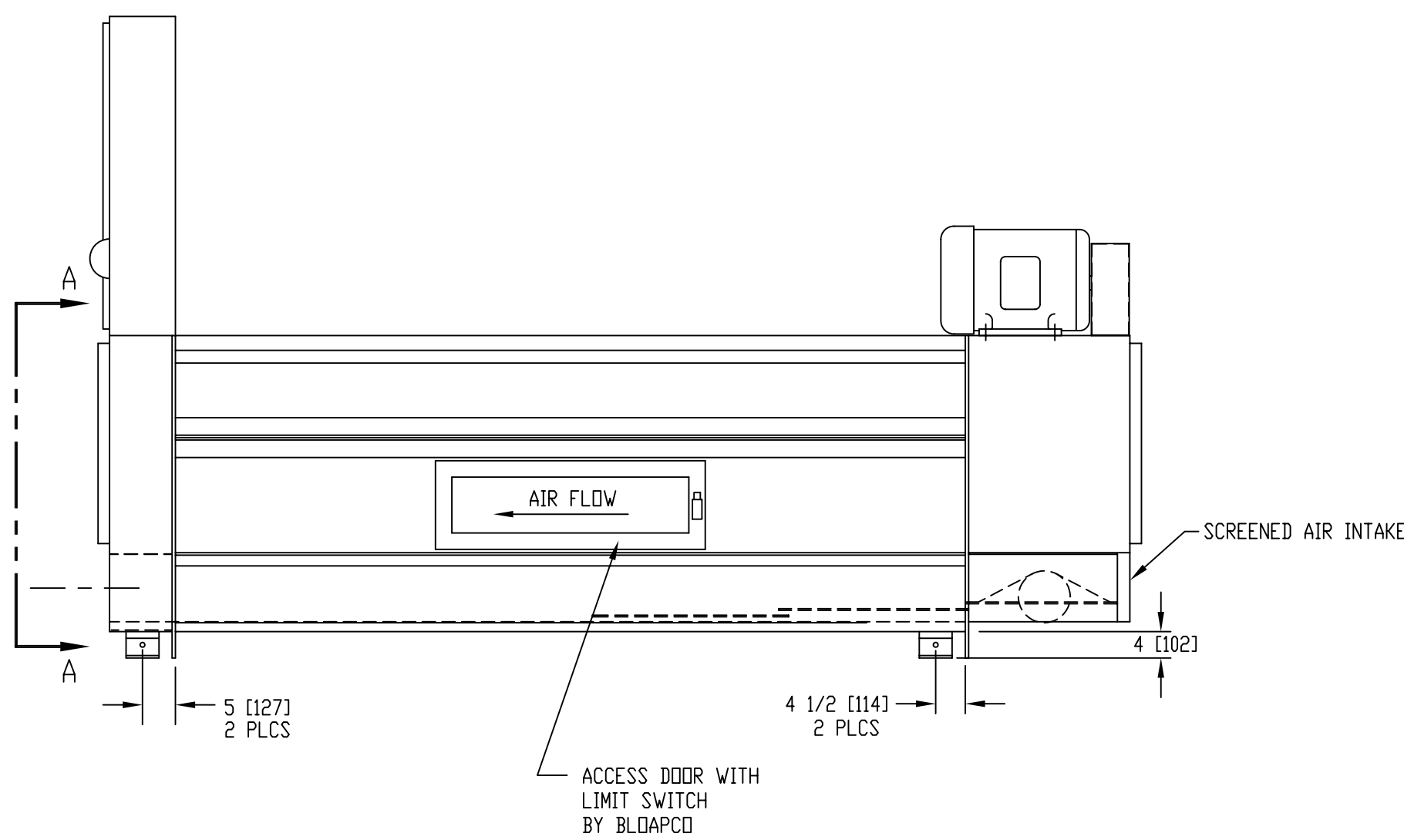
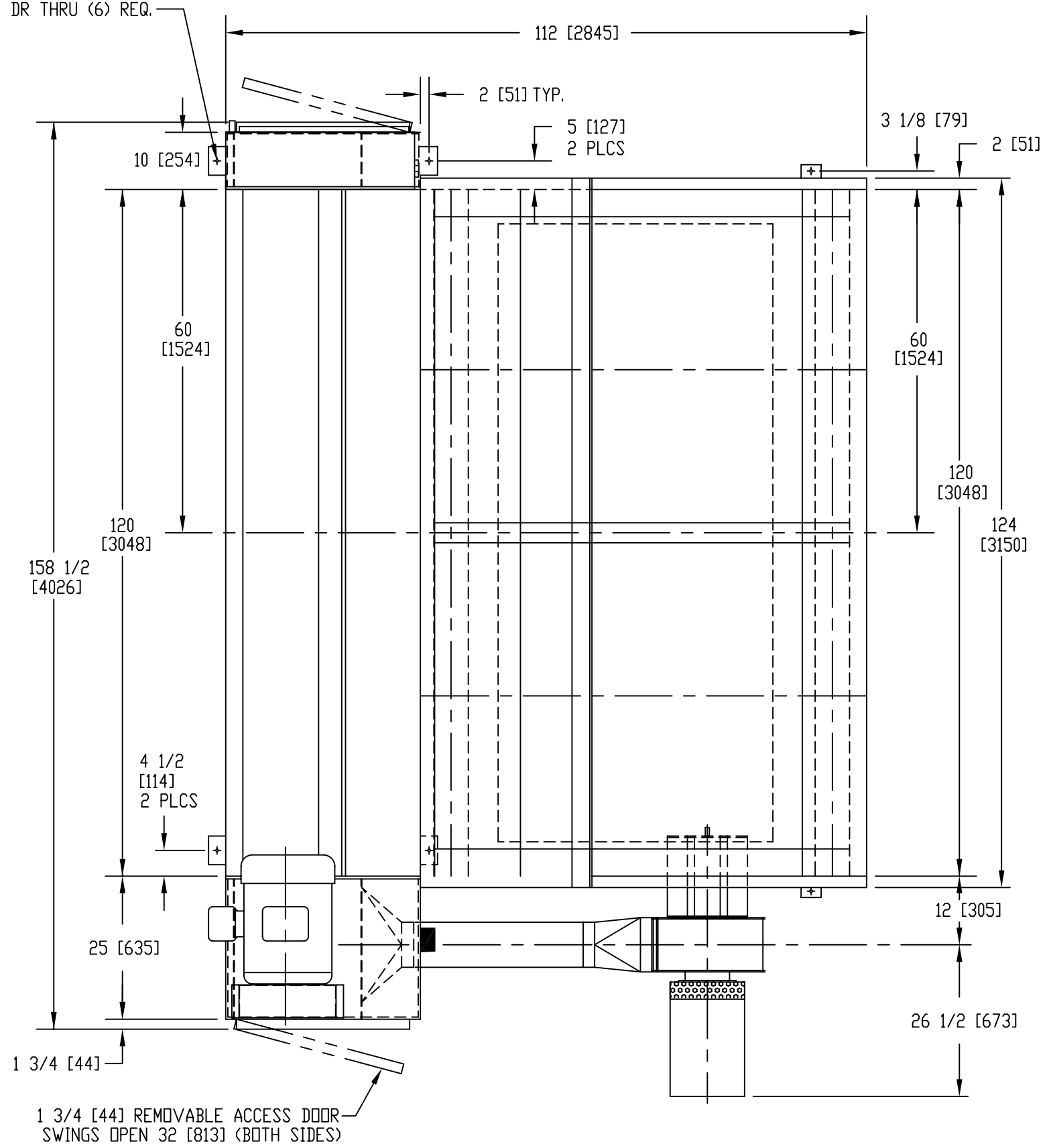


21/32 [17] DIA DR THRU (6) REQ.



VIEW A - A
SCALE: 1" = 1'-0"

AIR FLOW ↑



THIS PRINT IS THE PROPERTY OF THE BLOWER APPLICATION COMPANY AND SUBJECT TO RETURN UPON DEMAND. ALL RIGHTS OF DESIGN AND INVENTION ARE RESERVED.

				BLOWER APPLICATION CO., INC.		GENERAL ARRANGEMENT	
				ENGINEERS AND MANUFACTURERS		3CXS-40120HF SHREDDER	
				GERMANTOWN, WI. 53022 PHONE: AREA CODE 414 255-5580 FAX No. AREA CODE 414 255-3446			
3	ADDED ENGLISH UNITS TO DIMS.	JLF 9/02/05					
2	WAS 3/8 - 16 NC TAP	PL 6/8/98	980404				
1	ADDED METRIC DIMENSIONS	5/8/98		Drawn RZ	Checked		
Rev. No.	Description	Date	Job No.	Scale 1/2" = 1'-0"	Date 1-16-98	Tolerance	Drawing No. C-80000-1169