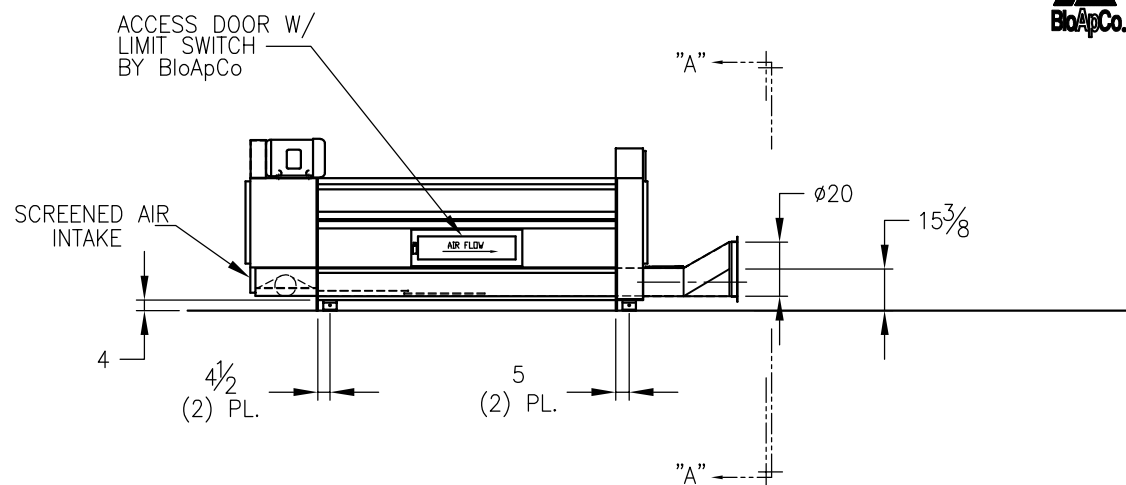
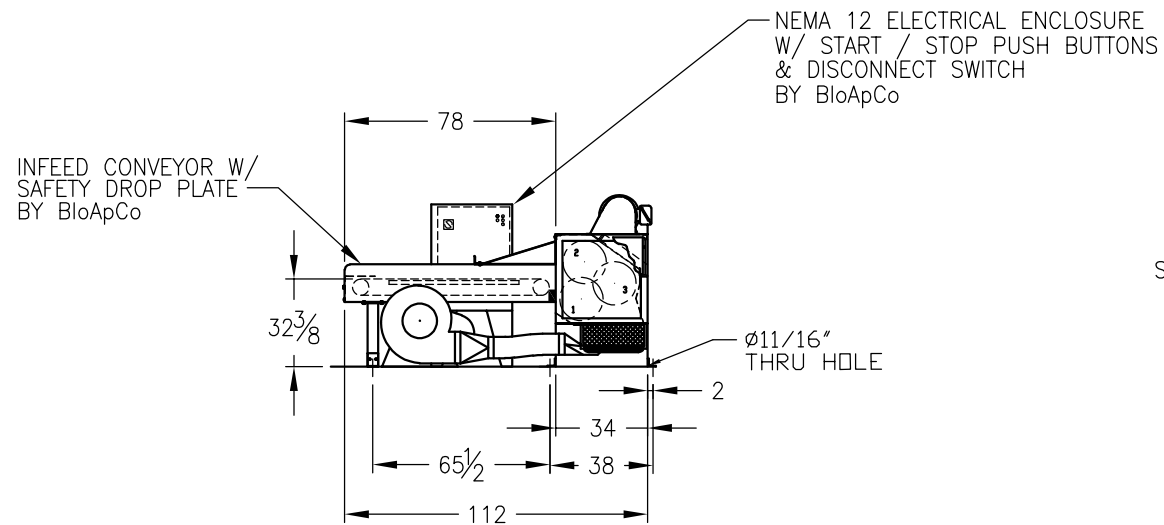


THIS DRAWING FOR CUSTOMER APPROVAL OF:  
DESIGN AND DIMENSION

AND MUST BE RETURNED BY: 8/11/2023  
PROMPT RETURN WILL HELP MEET QUOTED DELIVERY.  
THANK YOU  
CUSTOMER APPROVAL BY: \_\_\_\_\_ DATED \_\_\_\_\_  
CUSTOMER ORDER # 843100  
BLOAPCO ORDER # 230002A

**BLOWER APPLICATION COMPANY INC.**  
ENGINEERING DEPARTMENT  
GERMANTOWN, WI 53022  
262.255.5580 ■ FAX 262.255.3446  
www.bloapco.com e-mail: bac@bloapco.com



NOTE:  
THIS PRINT IS THE PROPERTY OF THE BLOWER APPLICATION COMPANY AND SUBJECT TO RETURN UPON DEMAND. ALL RIGHTS OF DESIGN AND INVENTION ARE RESERVED.

<p><b>BLOWER APPLICATION COMPANY INC.</b> ENGINEERS AND MANUFACTURERS GERMANTOWN, WI 53022 262.255.5580 ■ FAX 262.255.3446 www.bloapco.com e-mail: bac@bloapco.com</p>						GENERAL ARRANGEMENT	
						<p>3CXS-40110HF SHREDDER W/PNEUMATIC AUGER RIGHT HAND DRIVE LEFT HAND DISCHARGE</p>	
Rev. No.	Description	Date	Job No.	Scale 1/4" = 1'-0"	Date	Tolerance	Drawing No. C-80000-1886
			230002A	Drawn PJB	Checked		