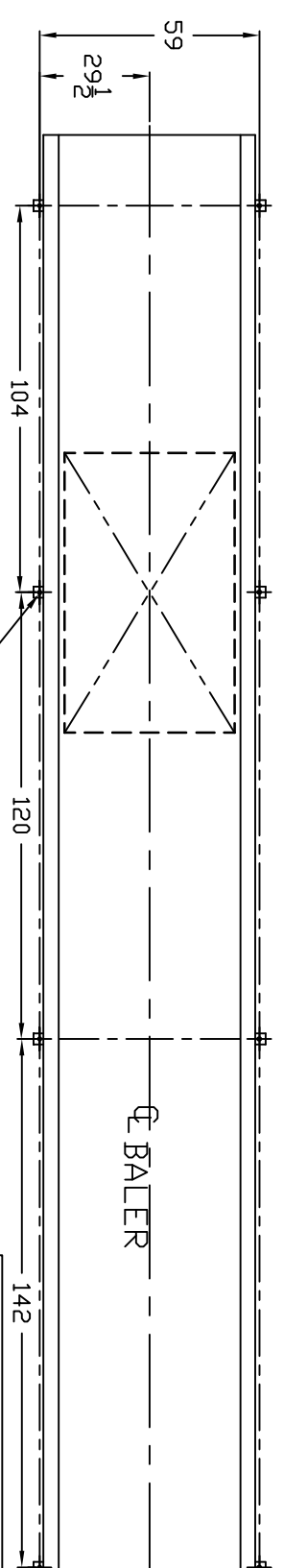
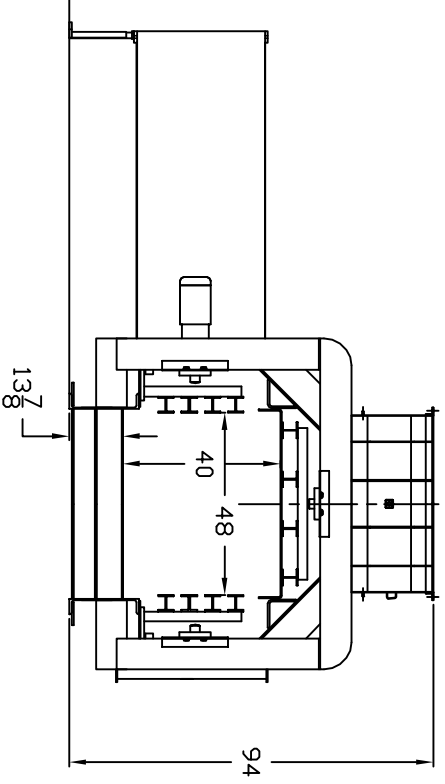
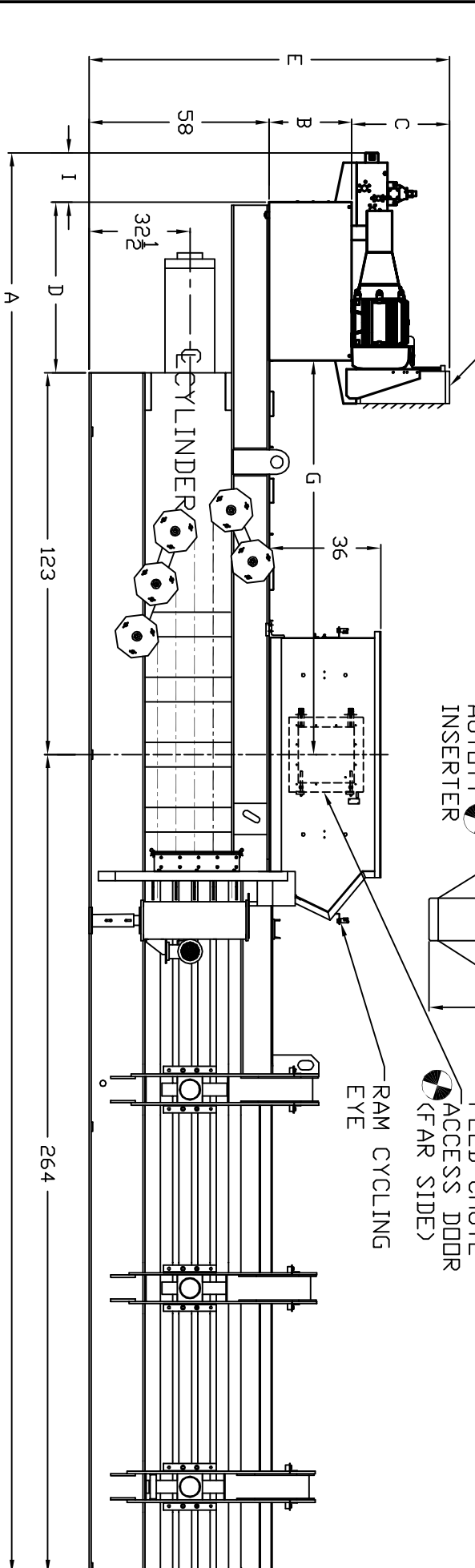
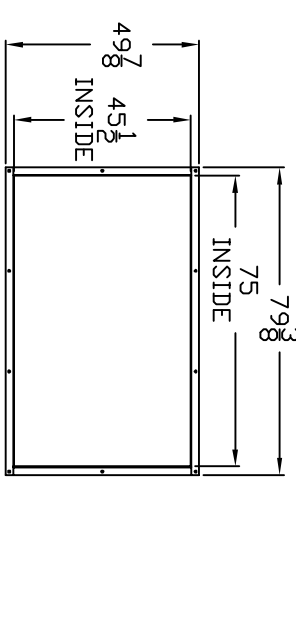


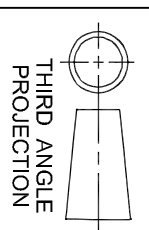
GROUP 8 (12" CYLINDER)					
ED	690	970	1340	1850	2450
HP	50	75	100	150	225
A	458"	458"	479"	479"	477"
B	26-5/8"	26-5/8"	22-1/2"	22-1/2"	21-1/4"
C	31-9/16"	31-9/16"	39-1/2"	39-1/2"	37-7/16"
D	55"	55"	75-3/16"	75-3/16"	83-1/4"
E	116-3/16"	116-3/16"	120"	120"	116-11/16"
F	44"	44"	44"	44"	46-3/8"
G	32 3/4"	32 3/4"	44"	44"	46-3/8"
H	127"	127"	127"	127"	127"
I	16"	16"	16"	16"	16"



NOTE: FOR 225 HP. BALERS THE BALER CONTROLS AND POWER INLET WILL BE MOUNTED ON THE BALER AND NOT ON THE DIL. TANK. THE DIL. TANK WILL THEN BE CENTERED ON THE FRAME.

NOTE: AS WITH ANY OTHER PIECE OF EQUIPMENT, ADEQUATE CLEARANCE SHOULD BE PROVIDED FOR USUAL CLEANING, SERVICE AND MAINTENANCE OPERATIONS.

TOLERANCES - UNLESS OTHERWISE SPECIFIED:
 FRACTIONAL +/- 1/64
 DECIMAL +/- 0.005
 DECIMAL 0.00 +/- 0.01



OPTIONAL EQUIPMENT SYMBOL
 BALER - STANDARD
 AUTO-TIE - STANDARD

E	10-29 2007	v+	CHG. PLACE COIL HOLDER UPDATE TABLE/COOLER
D	11-22 2006	VT	HOLE: WAS 3/4" ANCHOR BOLTS: 3/4 DIA WAS 1/2 DIA
NO.	DATE	IN.	REMARKS

BALEMASTER®
 DIV. OF EAST CHICAGO MACHINE TOOL CORP.
 CROWN POINT, INDIANA

4500G-12" CYLINDER
 BALER LAYOUT
 DO NOT SCALE
 WORK TO DIMENSIONS
 SCALE: 1=50

DR.	GOLINSKI	CH.	APP.
DATE:	01-15-92		234B0092-00

h g f e d c b a