

ExtractPack

Vertical Liquid Extraction Baler



The ExtractPack Baler is the Ideal Solution For:

- Bottlers
- Redemption Centers
- Dairies
- Food Waste Processors
- Scrap Metal Yards
- Cafeterias

See The Video At:

<https://youtu.be/hRaepE5hyq0>



The ExtractPack is the first baler of its kind to combine baling and draining both aluminum and plastic containers in one step.

Compare these features of the ExtractPack with the competition:

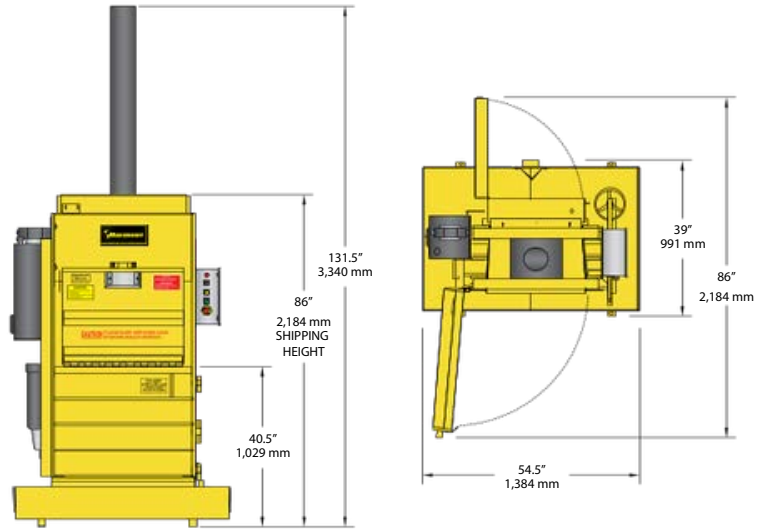
- ExtractPack performs over 7 times faster than draining your containers manually
- The total destruction of nearly 2,000 full plastic bottles or 4,000 full aluminum cans in one bale
- 51 gallon reservoir collects the liquids
- A TEFC (Totally Enclosed Fan Cooled) motor allows you to wash the entire machine down

- No preconditioning of material necessary before baling
- The BCB2003 features a “Shark’s Teeth” System to ensure maximum liquid removal
- Cylinder safety cable standard on all ExtractPack models.

The ExtractPack is constructed with the highest quality steel, including painted stainless steel anywhere liquid touches the baler to resist corrosion.

The ExtractPack, another great idea from Harmony Enterprises...
The Undisputed Leader in Quality Manufacturing.

ExtractPack Vertical Liquid Extraction Baler



Standard ExtractPack Features:

- Control panel is UL® listed
- Built-in splash guards to help contain liquid
- Magnetically coded door switches
- Key operated safety switch
- Sump pump system to help drain the liquid away to your drain or tote (optional)
- Four slots for tying bales
- 3" drain port allowing you to quickly remove liquids
- 45 second cycle time
- 6" cylinder with 4" rod
- Meets or exceeds all ANSI and OSHA safety standards

MODEL	ExtractPack (BCB2003)
Specifications	
Bale Size	24" x 16" x Up to 24" (610 MM x 406 MM x Up to 610 MM)
Bale Weight	Aluminum: Up to 120 LBS. (54 KG) PET: Up to 230 LBS. (104 KG)
Ram Pressure @ 2,000 PSI	56,550 LBS. (25,651 KG)
Cycle Time	45 Seconds
Electrical Power	208/230/460 Volt, 3 Phase, 60HZ
Motor	10 HP, TEFC
Cylinder	6" Bore (152 MM) 4" Rod (102 MM) 48" Stroke (1,219 MM)
Pump	12 Gallons
Liquid Reservoir	51 Gallons (Accepts A 3" Male Pipe Coupler)
Bale Eject	Hydraulic
Bale Tying	Wire or Polyethylene Strap
Dimensions	With Conveyor
Chute Door Opening	24" x 21" (610 MM x 533 MM)
Overall Height	131.5" (3,340 MM)
Overall Depth	39" (991 MM)
Overall Width	54.5" (1,384 MM)
Depth With Door Open	86" (2,184 MM)
Shipping Height	86" (2,184 MM)
Actual Weight	3,060 LBS. (1,388 KG)
Installation & Operational Area	33 SQ. FT. (3 SQ M)

*Specifications Subject to Change

